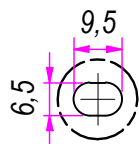
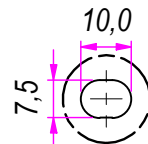


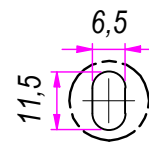
B (1 : 1.5)



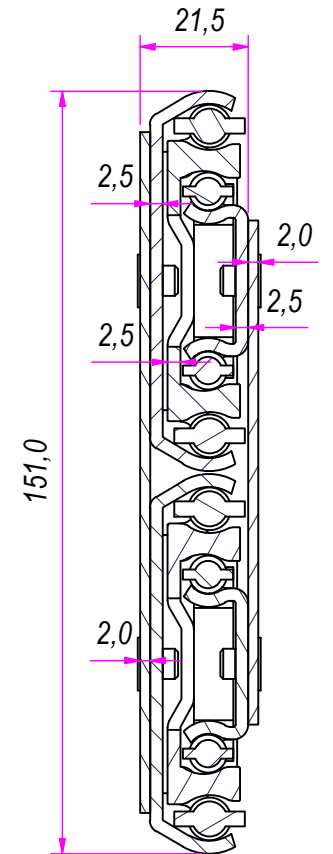
C (1 : 1.5)



D (1 : 1.5)



SEZ. A-A

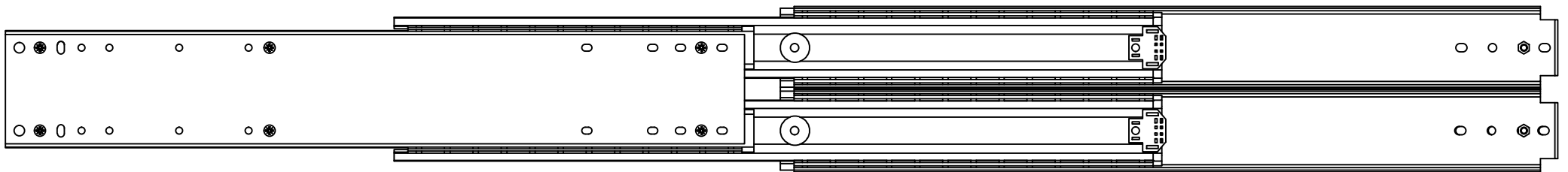
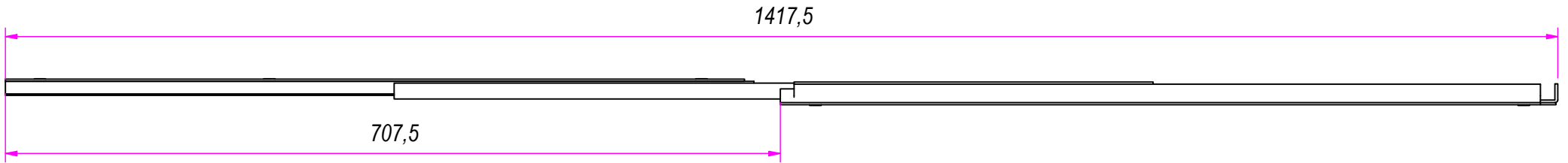
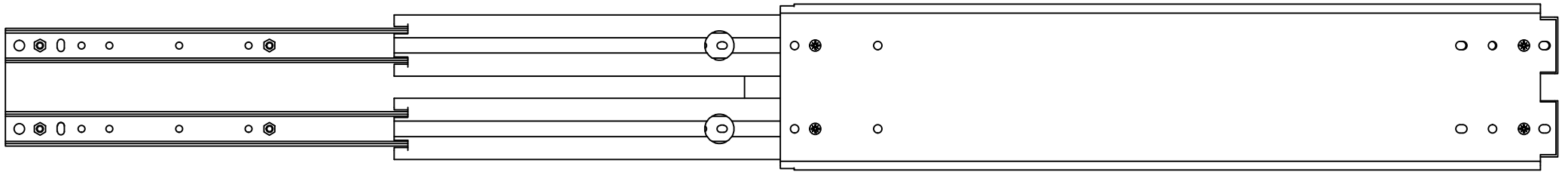


DESIGNED BY F. Dino	CHECKED AND APPROVED BY L. Paleari	GENERAL TOLERANCE SS-ISO-2768-1M	DATE 06/07/2020	CODE 88700
PACKAGING			UNIT mm	SHEET 1 of 3
DESCRIPTION			MATERIAL Cold rolled steel	
DEVICE			PAIR WEIGHT 9,3 Kg	

**RAM**  
**INDUSTRIE**


Guide per cassetti; guide telescopiche	Coulisses à billes; coulisse télescopique	REVISION HISTORY	
Drawer slide; telescopic ball bearing slide	Guías para cajones; guía teleópica	REV	DESCRIPTION
Kugelführung; Teleskopschienen		1a	DATE 06/07/2020

Property of RAM Industrie.  
Without its written authorization the present drawing shall neither be used for construction anyway, communicated to third parties, nor reproduced.

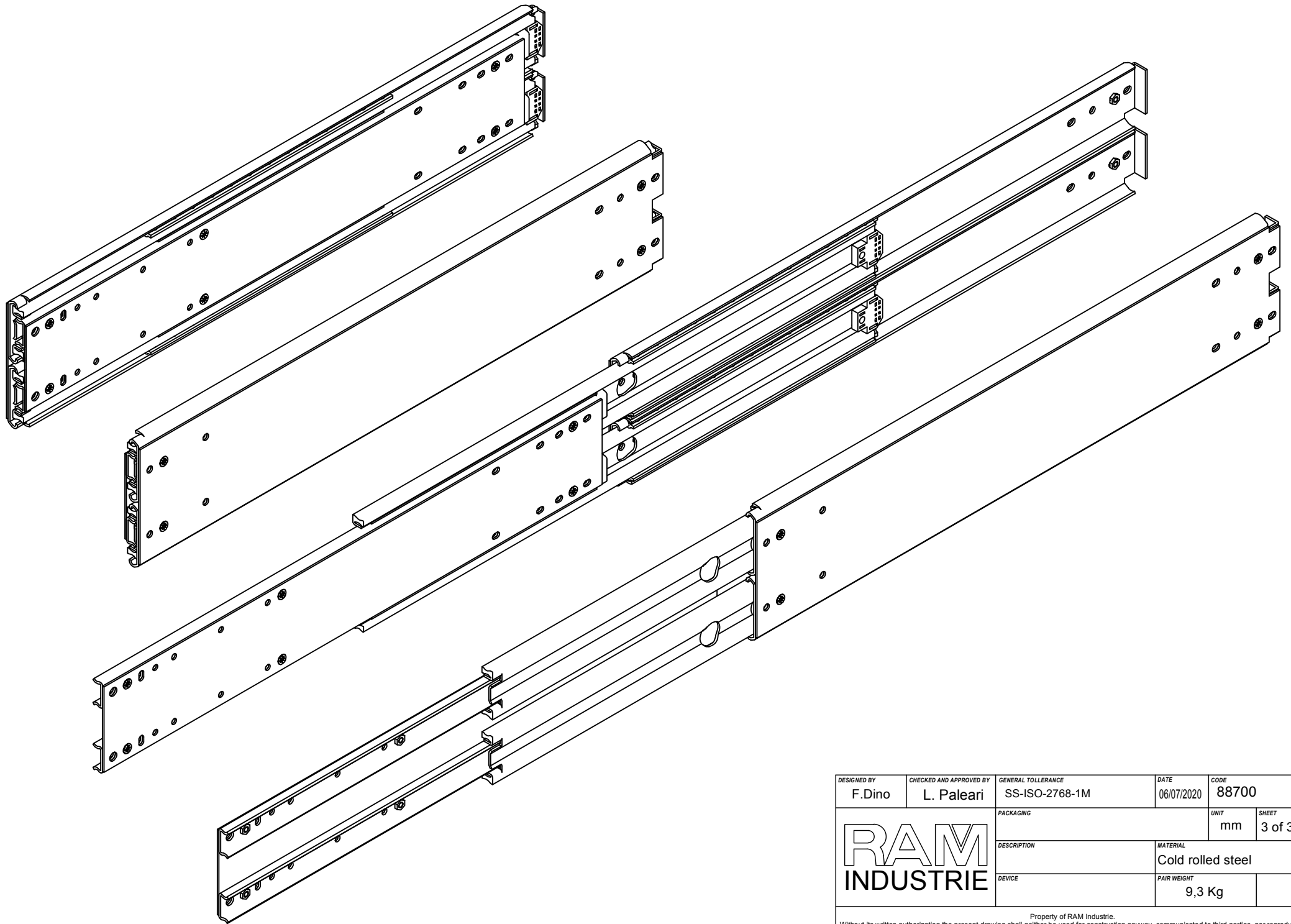



Guide per cassetti; guide telescopiche	Coulisses à billes; coulisse télescopique	
Drawer slide; telescopic ball bearing slide	Guías para cajones; guía teleópica	
Kugelführung; Teleskopschienen		

REVISION HISTORY		
REV	DESCRIPTION	DATE
1a		06/07/2020

DESIGNED BY F.Dino	CHECKED AND APPROVED BY L. Paleari	GENERAL TOLLERANCE SS-ISO-2768-1M	DATE 06/07/2020	CODE 88700
			PACKAGING	UNIT mm
			DESCRIPTION	MATERIAL Cold rolled steel
			DEVICE	PAIR WEIGHT 9,3 Kg
Property of RAM Industrie. Without its written authorization the present drawing shall neither be used for construction anyway, communicated to third parties, nor reproduced.				

SHEET  
2 of 3



DESIGNED BY F.Dino	CHECKED AND APPROVED BY L. Paleari	GENERAL TOLLERANCE SS-ISO-2768-1M	DATE 06/07/2020	CODE 88700	
			PACKAGING	UNIT mm	SHEET 3 of 3
			DESCRIPTION	MATERIAL Cold rolled steel	
DEVICE	PAIR WEIGHT 9,3 Kg				

Property of RAM Industrie.  
Without its written authorization the present drawing shall neither be used for construction anyway, communicated to third parties, nor reproduced.