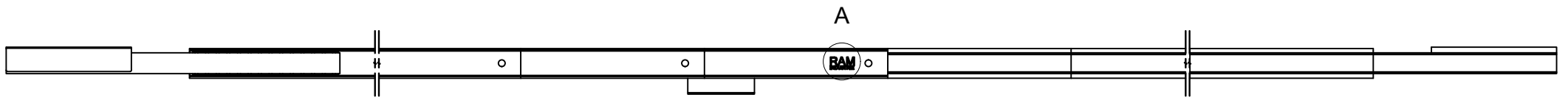
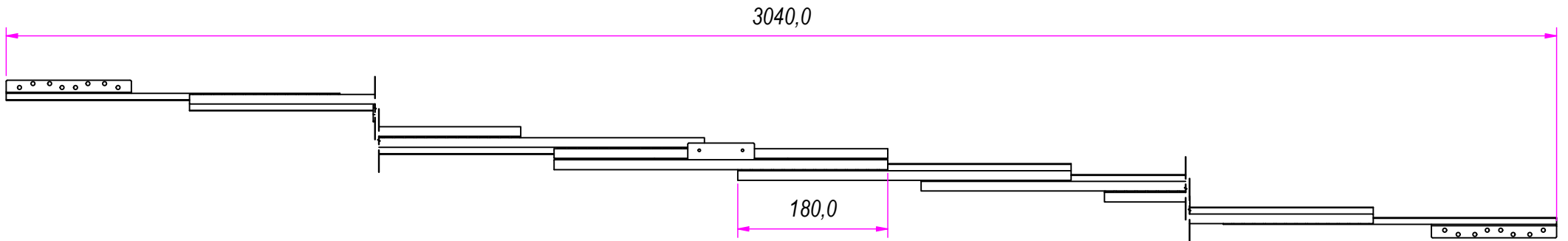
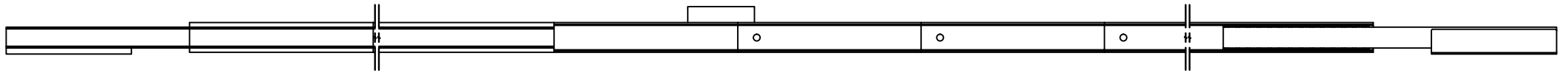


REVISION HISTORY			
REV	DESCRIPTION	APPROVED BY	DATE
1		F.Dino	28/09/2016

DESIGNED BY F.Dino	CHECKED AND APPROVED BY L. Paleari	DATE 28/09/2016	CODE 9012400
		GENERAL TOLLERANCE ISO-2768-1M	UNIT mm
		SCALE 1 of 3	SHEET 1 of 3
DESCRIPTION		MATERIAL Cold rolled steel	
DEVICE		PAIR WEIGHT 11,6 Kg	02C
Property of RAM Industrie. Without its written authorization the present drawing shall neither be used for construction anyway, communicated to third parties, nor reproduced.			

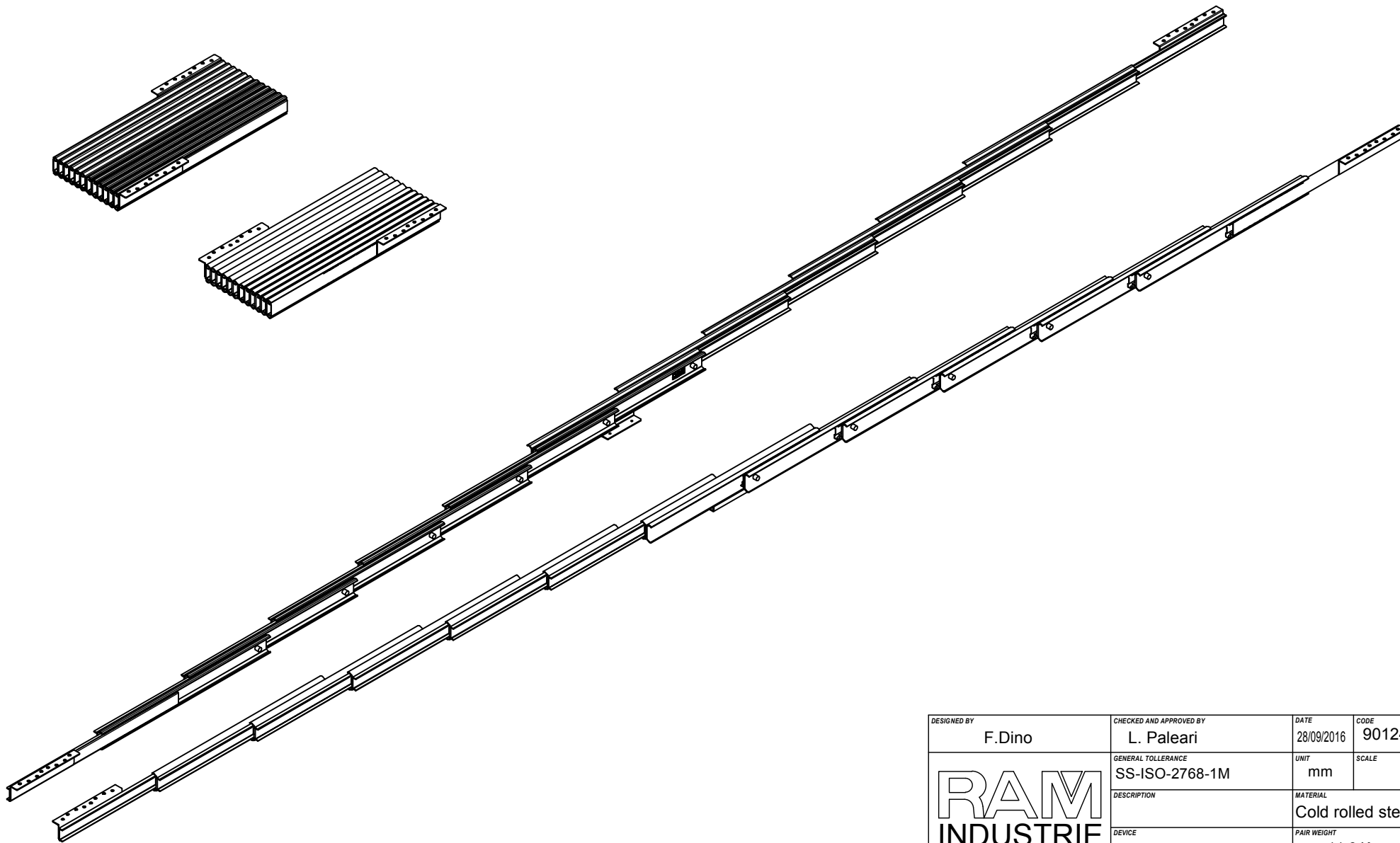



A (1 : 2)



DESIGNED BY F.Dino	CHECKED AND APPROVED BY L. Paleari	DATE 28/09/2016	CODE 9012400
RAM INDUSTRIE	GENERAL TOLLERANCE SS-ISO-2768-1M	UNIT mm	SCALE SHEET 2 of 3
	DESCRIPTION	MATERIAL Cold rolled steel	
DEVICE	PAIR WEIGHT 11,6 Kg	02C	

Property of RAM Industrie.
Without its written authorization the present drawing shall neither be used for construction anyway, communicated to third parties, nor reproduced.



DESIGNED BY F.Dino	CHECKED AND APPROVED BY L. Paleari	DATE 28/09/2016	CODE 9012400
	GENERAL TOLLERANCE SS-ISO-2768-1M	UNIT mm	SCALE SHEET 3 of 3
	DESCRIPTION	MATERIAL Cold rolled steel	
DEVICE	PAIR WEIGHT 11,6 Kg	02C	

Property of RAM Industrie.
Without its written authorization the present drawing shall neither be used for construction anyway, communicated to third parties, nor reproduced.