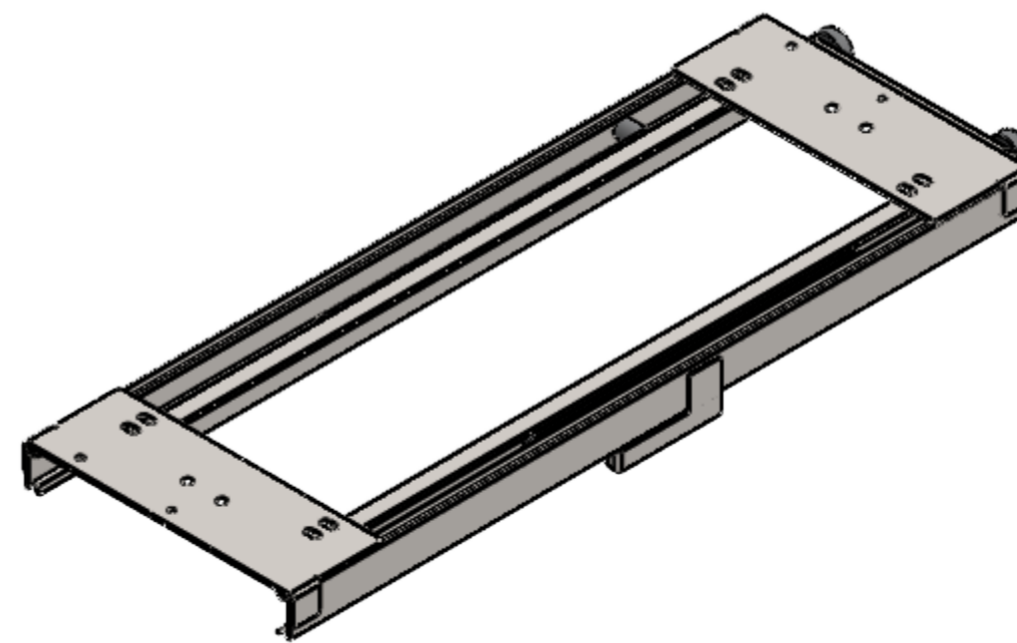
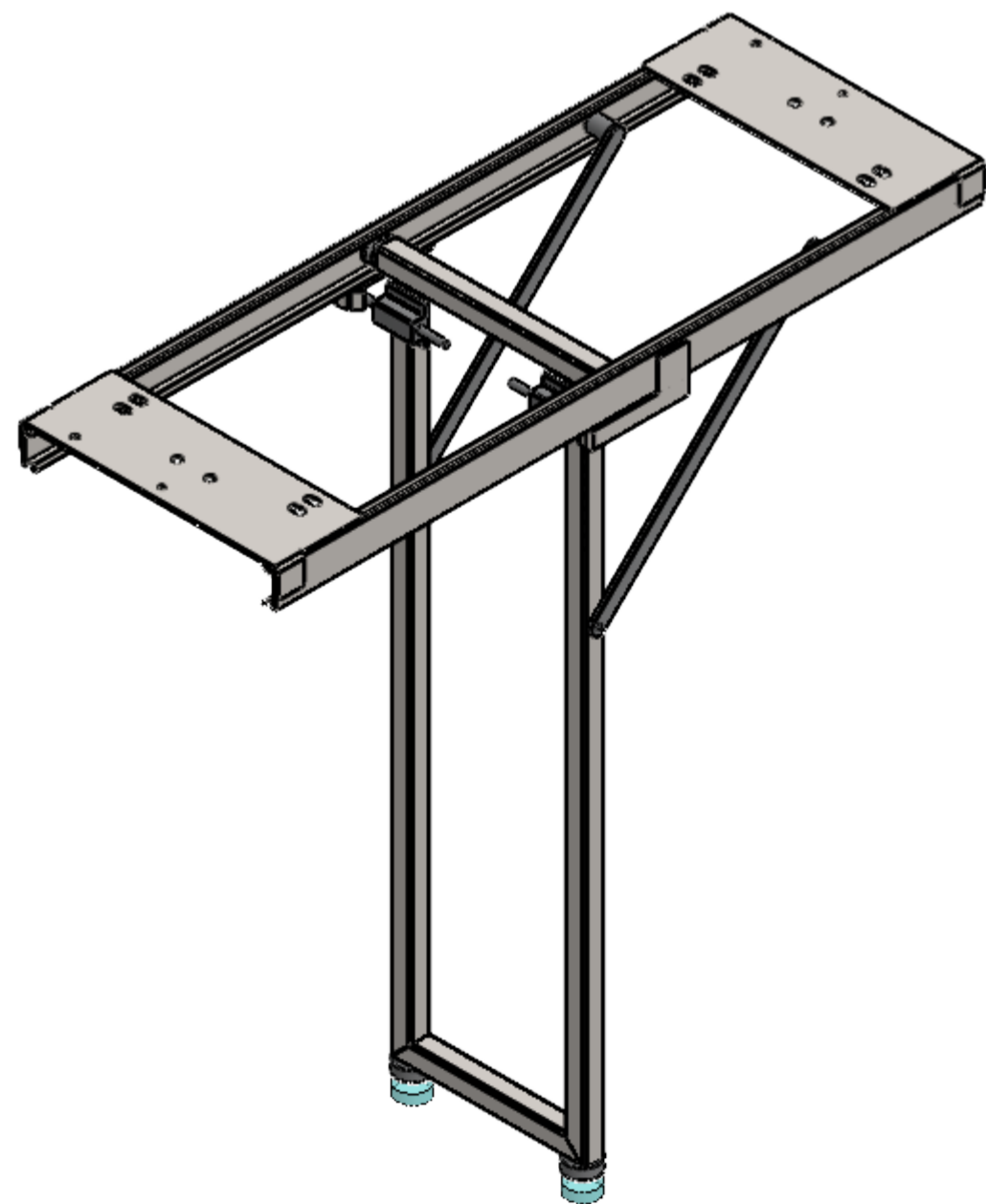


DETTAGLIO A
SCALA 1 : 2



Q.ty:

TOLERANCES FOLLOWING ISO 8015
INDICAZIONE TOLLERANZE INDIVIDUALI
TOLERANCE INDICATIONS ISO 7248 (mm)

| Nominal dimension (mm) | 0,1 | 0,2 | 0,3 | 0,5 | 0,8 | 1,2 | 2 | 3 | 4 |
|------------------------|------|------|------|------|------|-----|----|----|---|
| 0,1 - 1 | ±0,2 | ±0,3 | ±0,5 | ±0,8 | ±1,2 | ±2 | ±3 | ±4 | |
| 1 - 3 | ±0,3 | ±0,5 | ±0,8 | ±1,2 | ±2 | ±3 | ±4 | | |
| 3 - 6 | ±0,5 | ±0,8 | ±1,2 | ±2 | ±3 | ±4 | | | |
| 6 - 30 | ±0,8 | ±1,2 | ±2 | ±3 | ±4 | | | | |
| 30 - 100 | ±1,2 | ±2 | ±3 | ±4 | | | | | |
| 100 - 400 | ±2 | ±3 | ±4 | | | | | | |
| 400 - 1000 | ±3 | ±4 | | | | | | | |
| 1000 - 2000 | ±4 | | | | | | | | |
| 2000 - 4000 | ±5 | | | | | | | | |

THIS DRAWING IS THE EXCLUSIVE PROPERTY OF RAM INDUSTRIE (THE COMPANY).
WITHOUT ANY PRIOR WRITTEN AUTHORIZATION OF THE COMPANY,
THIS DRAWING CANNOT BE USED FOR CONSTRUCTION, NEITHER TRANSFERRED
OR REPRODUCED IN ANY MANNER.
THE COMPANY WILL LEGALLY DEFEND ITS OWN RIGHTS.

| | | | |
|---|---------------------|---------------------------------|-------------------------|
| DESIGNED BY Fabio Rancati | Material | Des. Cad Studio RF | RAM INDUSTRIE |
| CHECKED AND APPROVED BY Assia d'Alesio | Weight (Kg) 4.00 | Date (dd/mm/yyyy) 27/12/2023 | |
| DESCRIPTION GAMBA RICHIUDIBILE PER CONSOLE | Surface finish | Scale 1:5 | DWG. NO. 90SU132 |
| | Thickness | Chk | Rev. 0 |