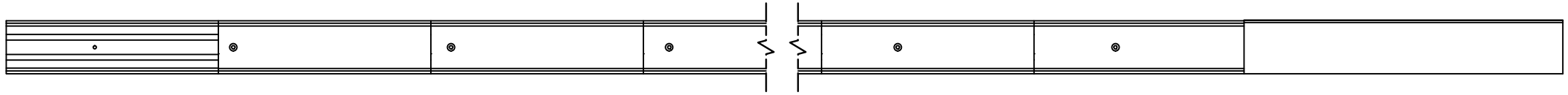


REVISION HISTORY			
REV	DESCRIPTION	APPROVED BY	DATE
1	Added 2 holes	F.Dino	13/07/2017
2	Added bushings	F.Dino	19/04/2019

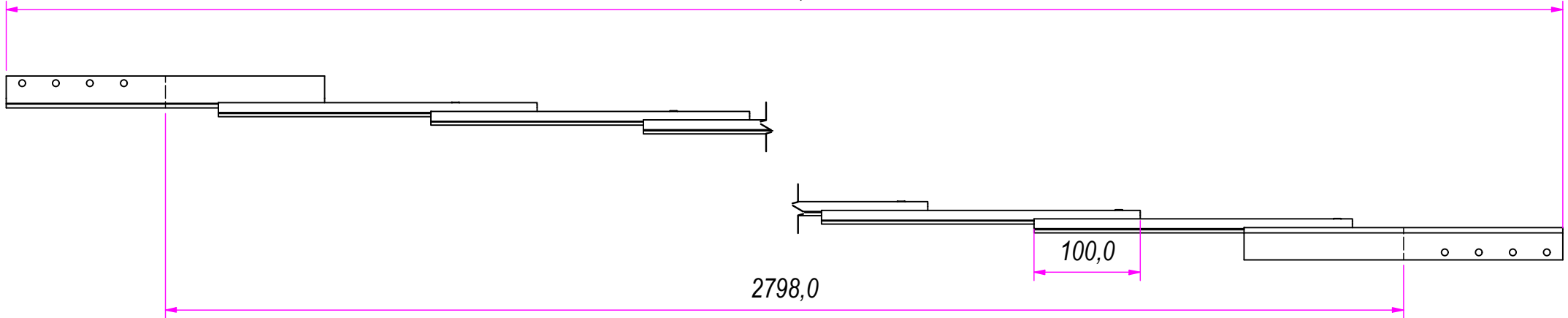
DESIGNED BY F.Dino	CHECKED AND APPROVED BY L. Paleari	REVISION	DATE 19/04/2019	CODE 9115300
GENERAL TOLERANCE SS-ISO-2768-1M			UNIT mm	SCALE 1 of 3
DESCRIPTION			MATERIAL Aluminum	
DEVICE			PAIR WEIGHT 3,928 Kg	06C

**RAM
INDUSTRIE**

Property of RAM Industrie.
Without its written authorization the present drawing shall neither be used for construction anyway, communicated to third parties, nor reproduced.

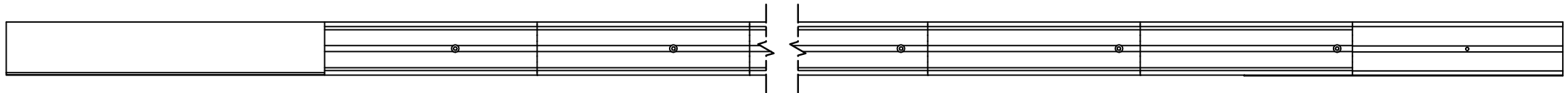



3098,0



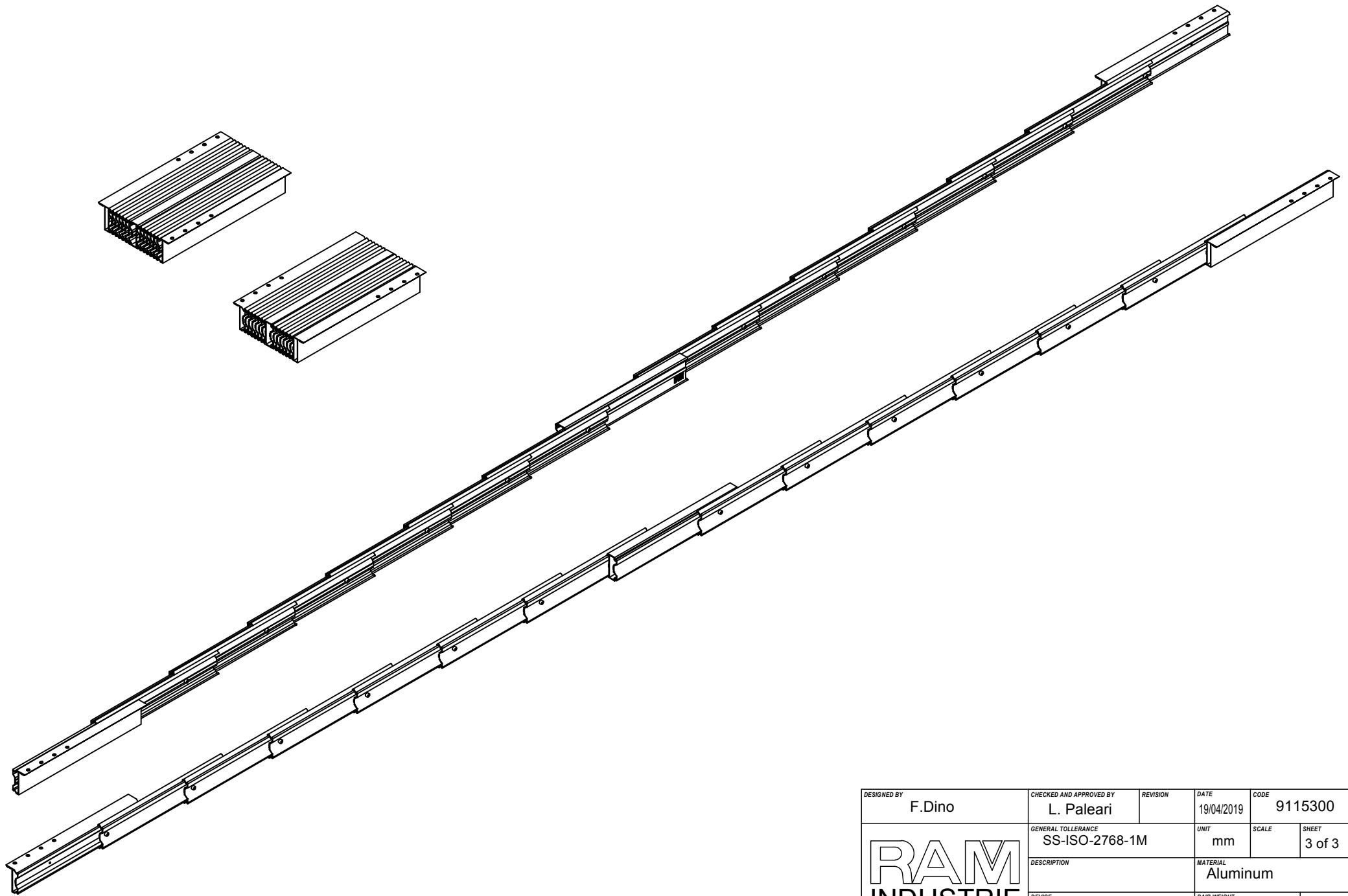
100,0


2798,0



DESIGNED BY F.Dino	CHECKED AND APPROVED BY L. Paleari	REVISION	DATE 19/04/2019	CODE 9115300
	GENERAL TOLLERANCE SS-ISO-2768-1M	UNIT mm	SCALE	SHEET 2 of 3
	DESCRIPTION	MATERIAL Aluminum		
	DEVICE	PAIR WEIGHT 3,928 Kg	06C	

Property of RAM Industrie.
Without its written authorization the present drawing shall neither be used for construction anyway, communicated to third parties, nor reproduced.



DESIGNED BY F.Dino	CHECKED AND APPROVED BY L. Paleari	REVISION	DATE 19/04/2019	CODE 9115300
	GENERAL TOLLERANCE SS-ISO-2768-1M	UNIT mm	SCALE	SHEET 3 of 3
	DESCRIPTION	MATERIAL Aluminum		
	DEVICE	PAIR WEIGHT 3,928 Kg	06C	

Property of RAM Industrie.
Without its written authorization the present drawing shall neither be used for construction anyway, communicated to third parties, nor reproduced.