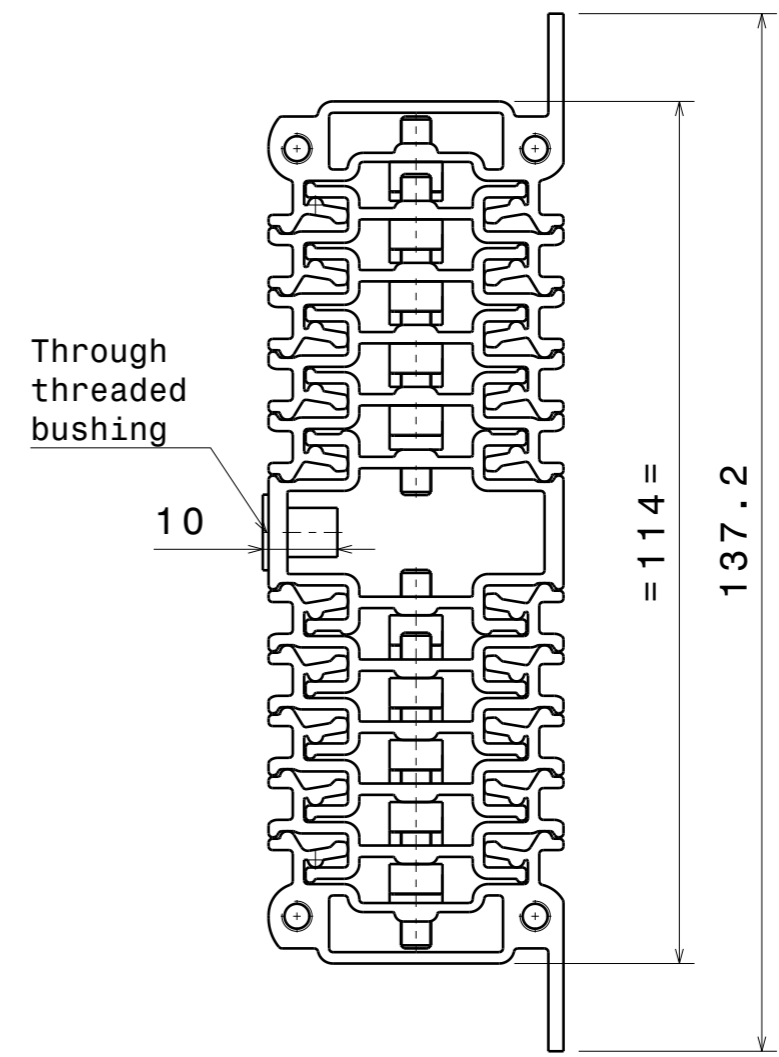
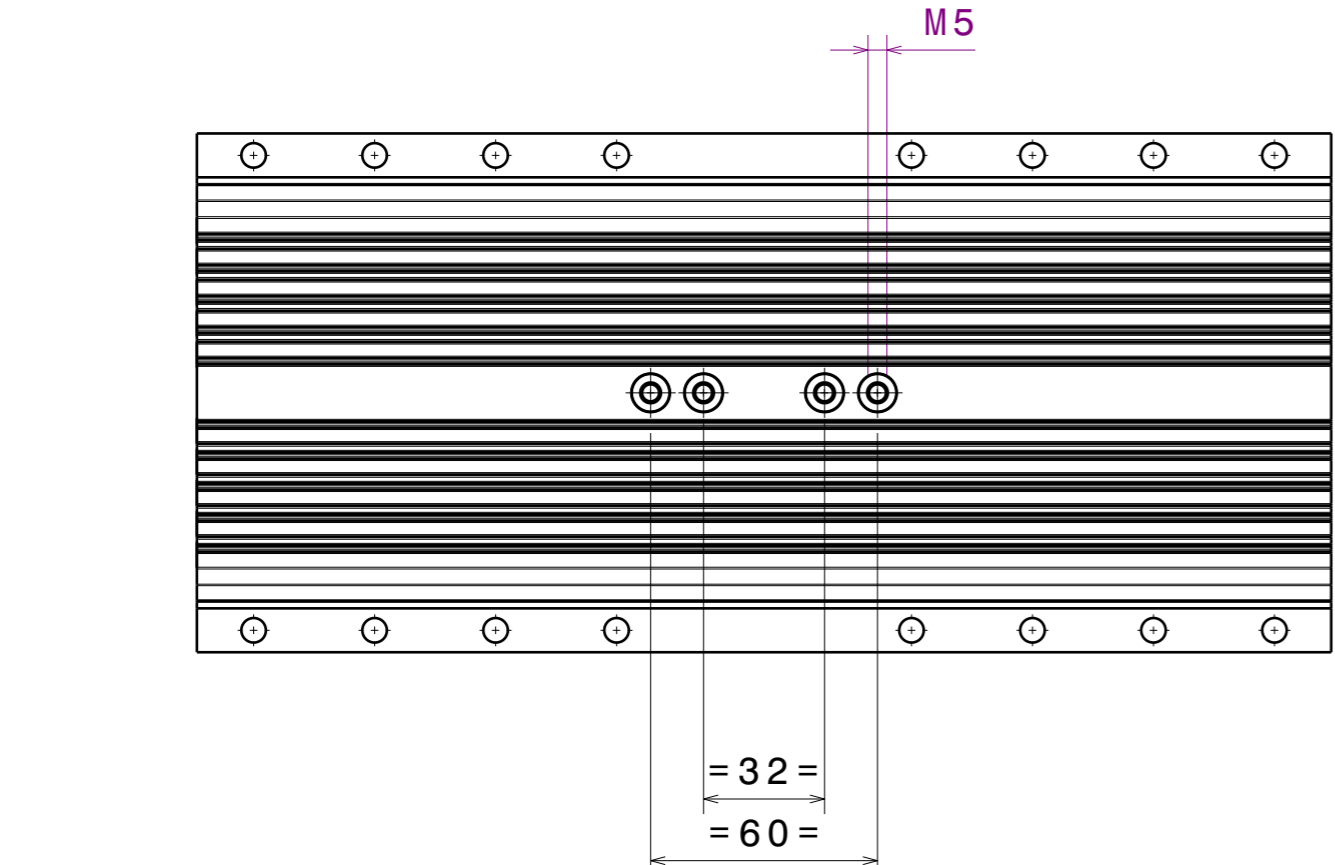
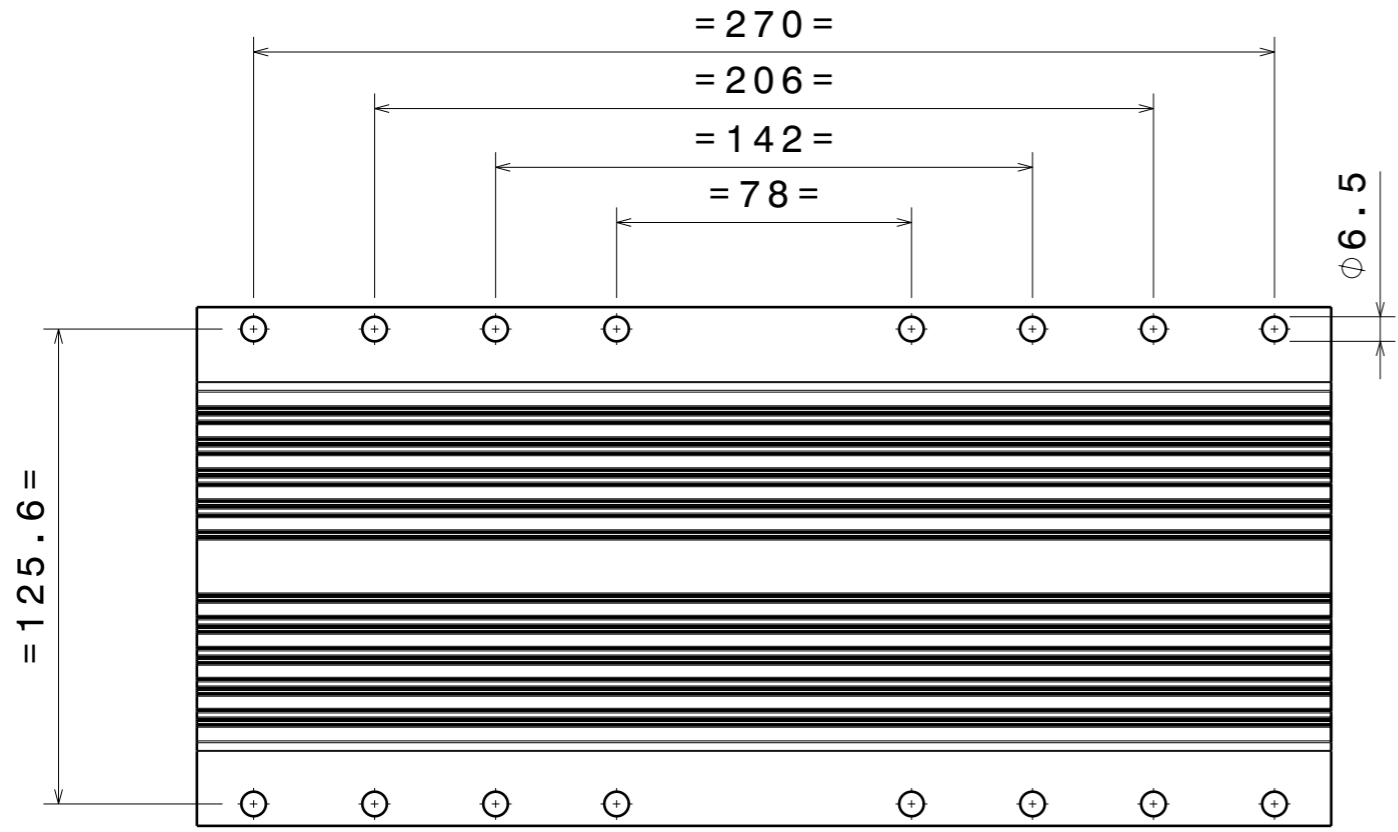



H G F E D C B A



Left view  
Scale: 1:1

DESIGNED BY ITG PROJECT	CHECKED AND APPROVED BY Assia d'Alesio	GENERAL TOLLERANCE SS-ISO-2768-1M	DATE 27-12-2022	SHEET 1 of 3	CODE 9211300	REV
			PACKAGING	CYCLES TEST	SALT SPRAY TEST	L/O LABEL
			DESCRIPTION -	MATERIAL AL6060		SIZE A3
			DEVICE	PAIR WEIGHT 3,172 kg	UNIT mm	SCALE 1:2

Property of RAM Industrie.  
Without its written authorization the present drawing shall neither be used for construction anyway, communicated to third parties, nor reproduced.

H G B A

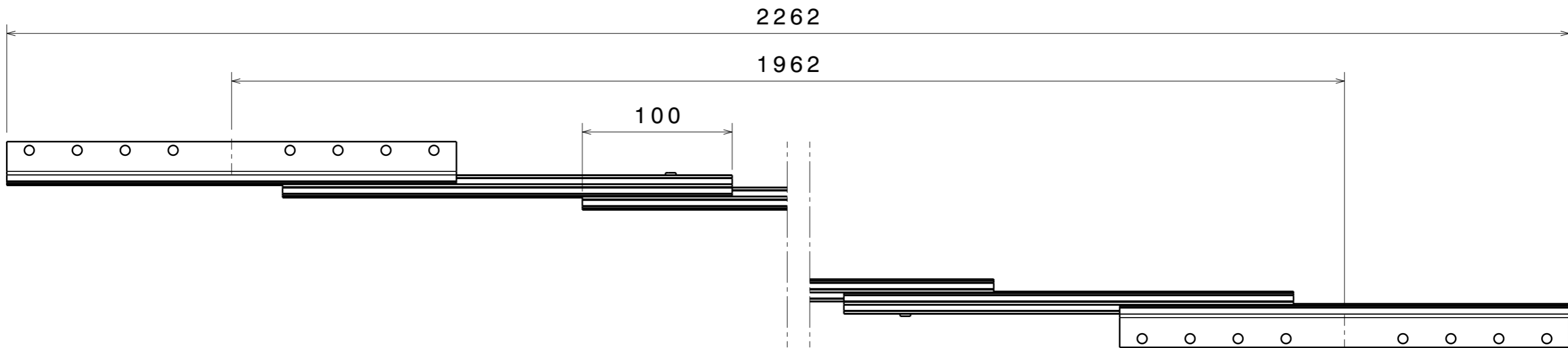
H G F E D C B A

4



4

3




3

2

2

1

1

DESIGNED BY ITG PROJECT	CHECKED AND APPROVED BY Assia d'Alesio	GENERAL TOLLERANCE SS-ISO-2768-1M	DATE 27-12-2022	SHEET 2 of 3	CODE 9211300	REV
		PACKAGING	CYCLES TEST		SALT SPRAY TEST	L/O LABEL
		DESCRIPTION -	MATERIAL AL6060		SIZE A3	
		DEVICE	PAIR WEIGHT 3,172 kg	UNIT mm	SCALE 1:3	

Property of RAM Industrie.  
Without its written authorization the present drawing shall neither be used for construction anyway, communicated to third parties, nor reproduced.

H G B A

H G F E D C B A

4

4

3

3

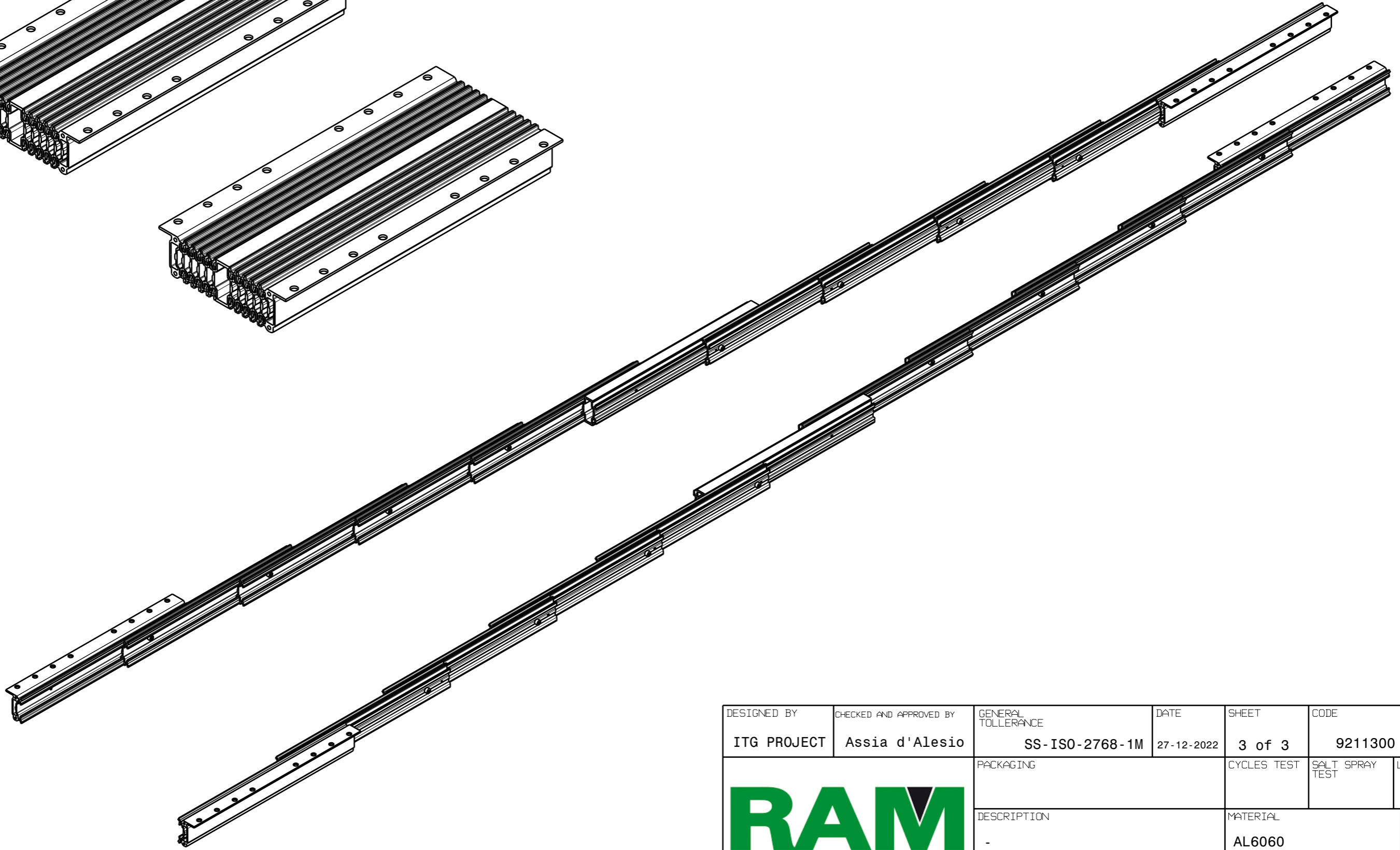
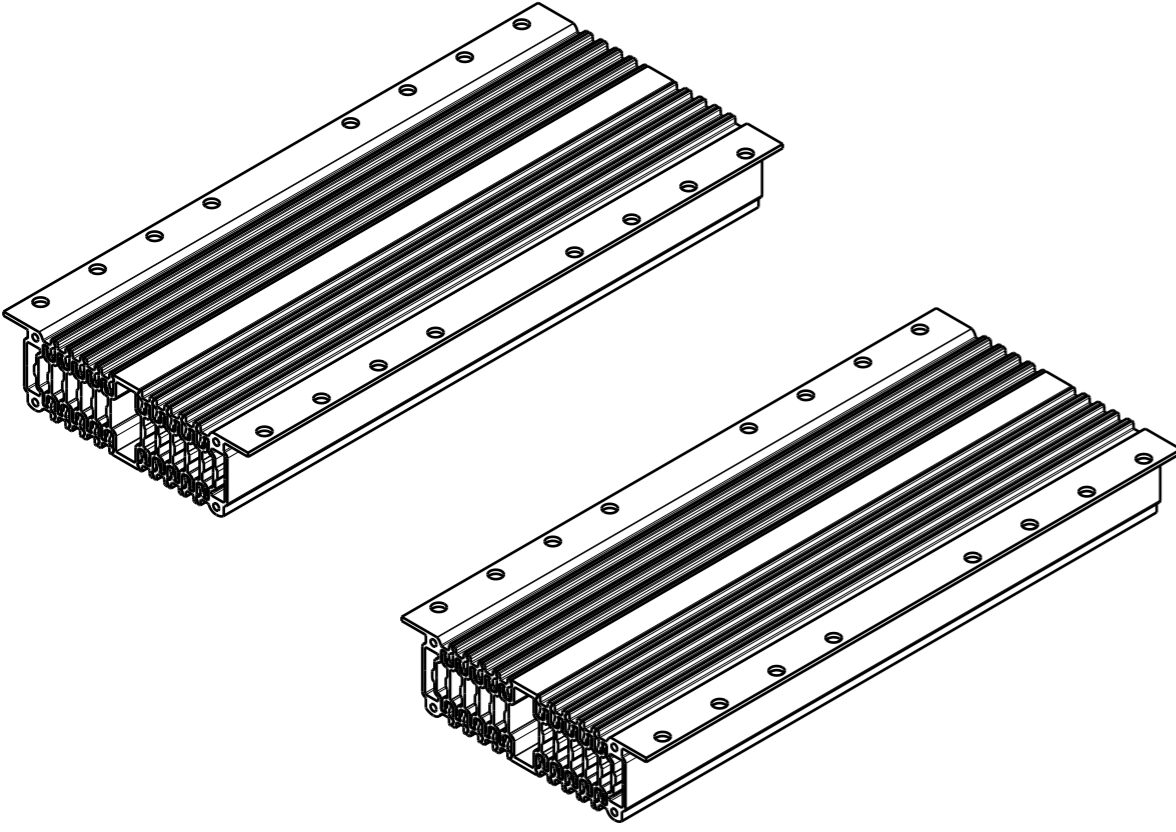
2


2

1

1

H G B A



DESIGNED BY ITG PROJECT	CHECKED AND APPROVED BY Assia d'Alesio	GENERAL TOLLERANCE SS-ISO-2768-1M	DATE 27-12-2022	SHEET 3 of 3	CODE 9211300	REV
			PACKAGING	CYCLES TEST	SALT SPRAY TEST	L/O LABEL
			DESCRIPTION -	MATERIAL AL6060		SIZE A3
			DEVICE	PAIR WEIGHT 3,172kg	UNIT mm	SCALE -

Property of RAM Industrie.  
Without its written authorization the present drawing shall neither be used for construction anyway, communicated to third parties, nor reproduced.