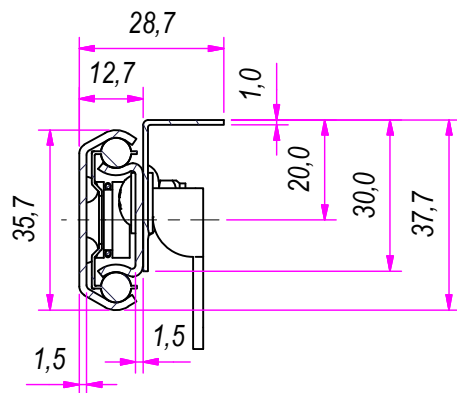
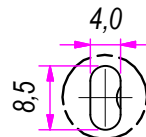


SEZ. A-A



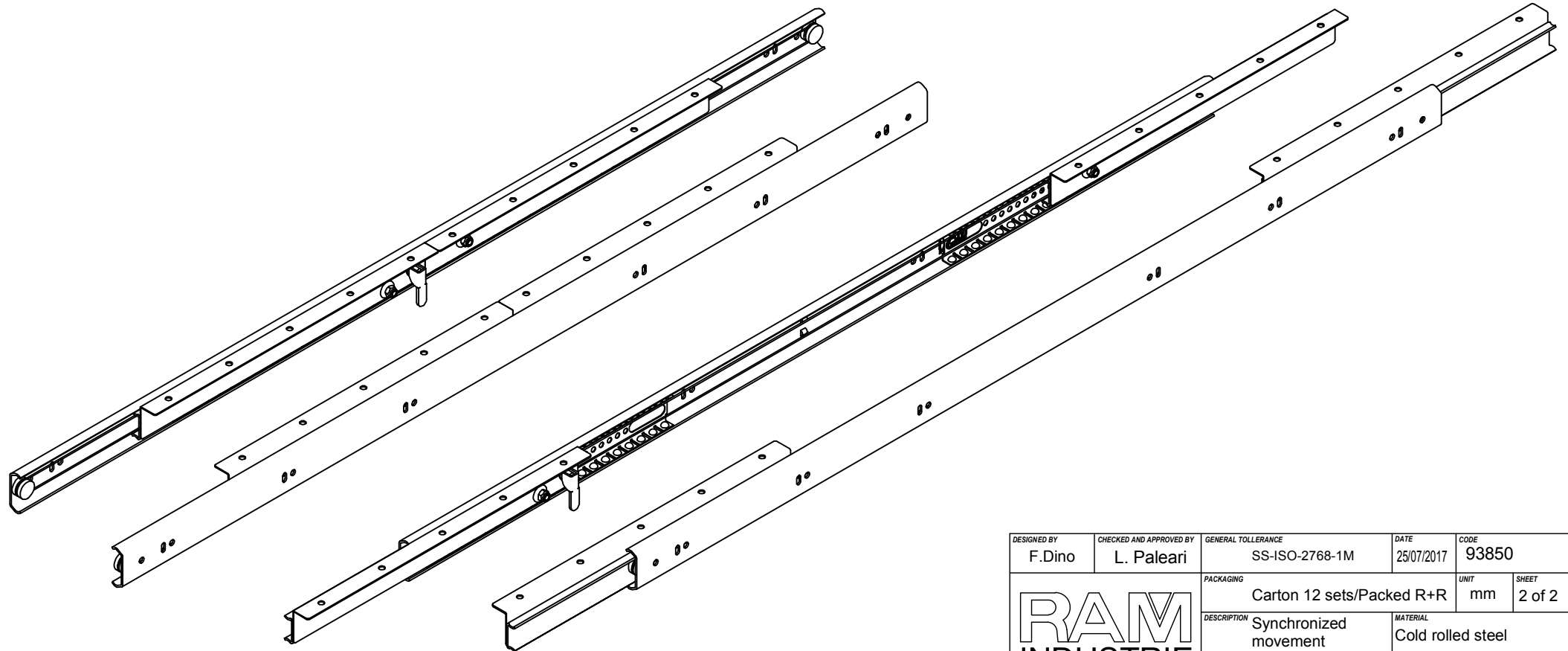
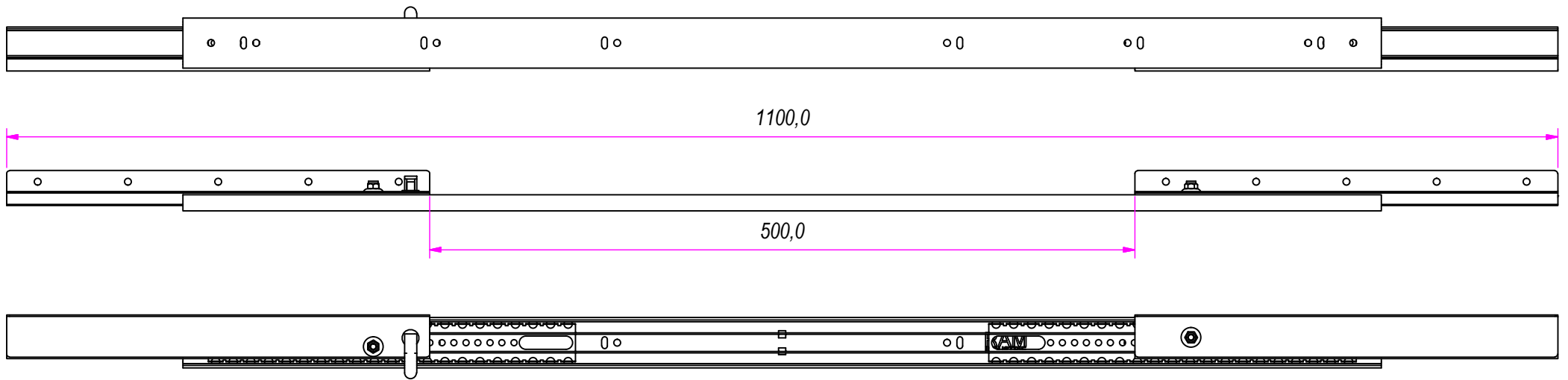
B (1:1)



DESIGNED BY F. Dino	CHECKED AND APPROVED BY L. Paleari	GENERAL TOLLERANCE SS-ISO-2768-1M	DATE 25/07/2017	CODE 93850
		PACKAGING Carton 12 sets/Packed R+R	UNIT mm	SHEET 1 of 2
		DESCRIPTION Synchronized movement	MATERIAL Cold rolled steel	
		DEVICE Lock-out	PAIR WEIGHT 2,337 Kg	02C

Guide per cassetti; guide telescopiche		Coulisses à billes; coulisse télescopique		REVISION HISTORY	
Drawer slide; telescopic ball bearing slide		Guías para cajones; guía teleópica		REV	DESCRIPTION
Kugelführung; Teleskopschienen				DATE	
				1a	25/07/2017

Property of RAM Industrie.  
Without its written authorization the present drawing shall neither be used for construction anyway, communicated to third parties, nor reproduced.



Guide per cassetti; guide telescopiche	Coulisses à billes; coulisse télescopique
Drawer slide; telescopic ball bearing slide	Guías para cajones; guía teleópica
Kugelführung; Teleskopschienen	

REVISION HISTORY	
REV	DESCRIPTION
1a	

DESIGNED BY F. Dino	CHECKED AND APPROVED BY L. Paleari	GENERAL TOLLERANCE SS-ISO-2768-1M	DATE 25/07/2017	CODE 93850
		PACKAGING Carton 12 sets/Packed R+R	UNIT mm	SHEET 2 of 2
		DESCRIPTION Synchronized movement	MATERIAL Cold rolled steel	
		DEVICE Lock-out	PAIR WEIGHT 2,337 Kg	02C

Property of RAM Industrie.  
Without its written authorization the present drawing shall neither be used for construction anyway, communicated to third parties, nor reproduced.