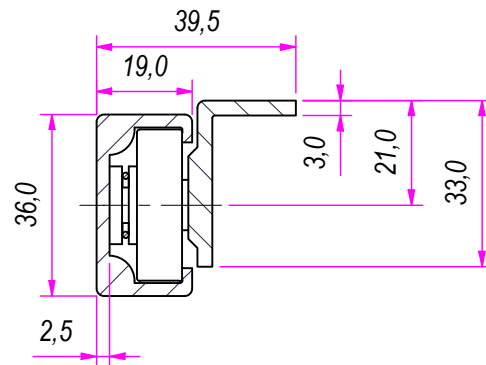


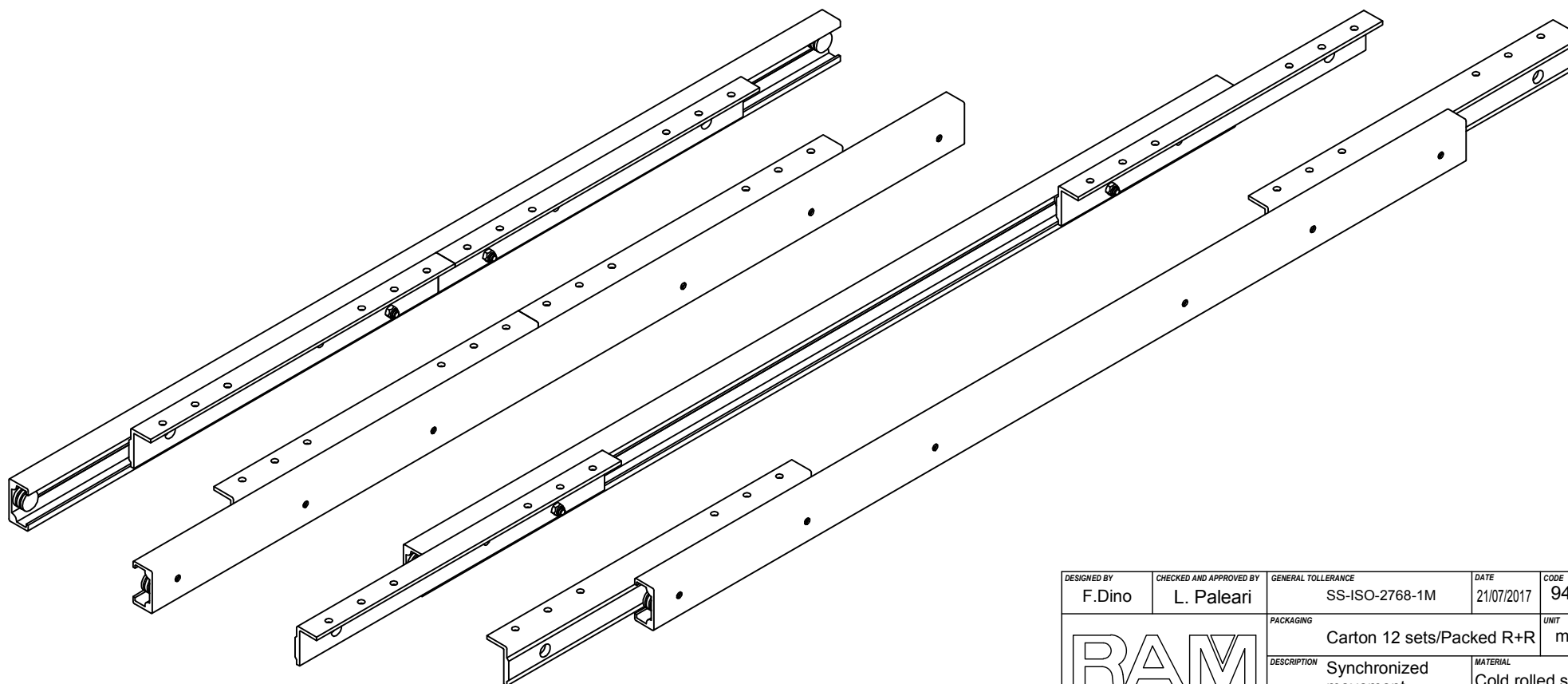
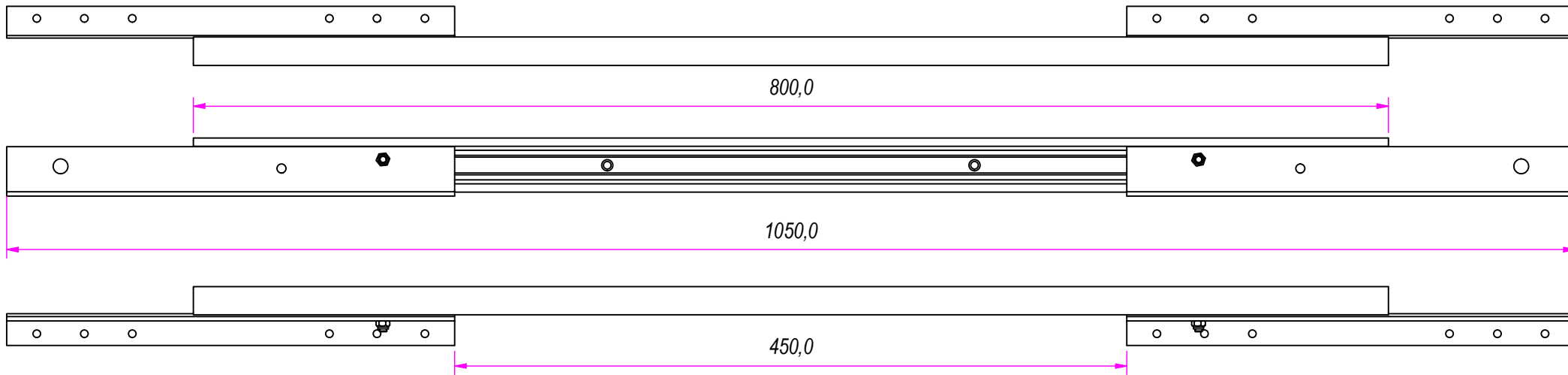
SEZ. A-A



DESIGNED BY F.Dino	CHECKED AND APPROVED BY L. Paleari	GENERAL TOLLERANCE SS-ISO-2768-1M	DATE 21/07/2017	CODE 94800
		PACKAGING Carton 12 sets/Packed R+R	UNIT mm	SHEET 1 of 2
		DESCRIPTION Synchronized movement	MATERIAL Cold rolled steel	
		DEVICE	PAIR WEIGHT 1,99 Kg	02C

Guide per cassetti; guide telescopiche		Coulisses à billes; coulisse télescopique		REVISION HISTORY	
Drawer slide; telescopic ball bearing slide		Guías para cajones; guía teleópica		DESCRIPTION	DATE
Kugelführung; Teleskopschienen		REV	1a		21/07/2017

Property of RAM Industrie.  
Without its written authorization the present drawing shall neither be used for construction anyway, communicated to third parties, nor reproduced.



Guide per cassetti; guide telescopiche	Coulisses à billes; coulisse télescopique	REVISION HISTORY	
Drawer slide; telescopic ball bearing slide	Guías para cajones; guía teleópica	REV	DESCRIPTION
Kugelführung; Teleskopschienen		1a	DATE
			21/07/2017

DESIGNED BY F.Dino	CHECKED AND APPROVED BY L. Paleari	GENERAL TOLLERANCE SS-ISO-2768-1M	DATE 21/07/2017	CODE 94800
		PACKAGING Carton 12 sets/Packed R+R	UNIT mm	SHEET 2 of 2
		DESCRIPTION Synchronized movement	MATERIAL Cold rolled steel	
		DEVICE	PAIR WEIGHT 1,99 Kg	02C
Property of RAM Industrie. Without its written authorization the present drawing shall neither be used for construction anyway, communicated to third parties, nor reproduced.				