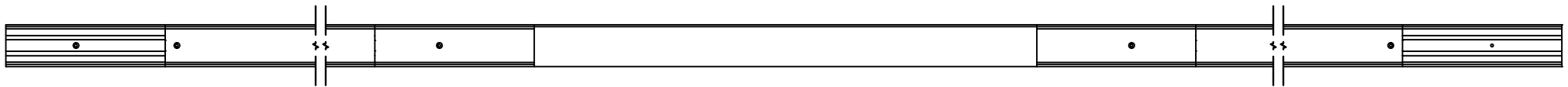


DESIGNED BY F. Dino	CHECKED AND APPROVED BY L. Paleari	GENERAL TOLLERANCE SS-ISO-2768-1M	DATE 28/06/2018	CODE 9907300
PACKAGING			UNIT mm	SHEET 1 of 3
DESCRIPTION			MATERIAL Aluminum	
DEVICE			PAIR WEIGHT	

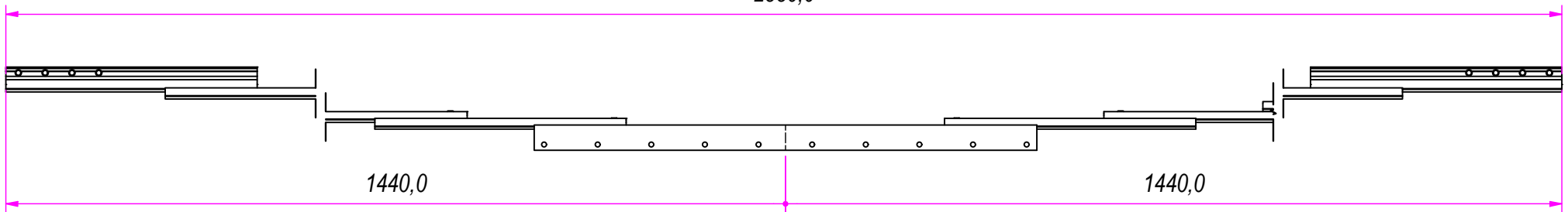
**RAM**  
**INDUSTRIE**

		REVISION HISTORY		
		REV	DESCRIPTION	DATE
Guide per cassetti; guide telescopiche	Coulisses à billes; coulisse télescopique			
Drawer slide; telescopic ball bearing slide	Guías para cajones; guía teleópica	1a		28/06/2018
Kugelführung; Teleskopschienen				

Property of RAM Industrie.  
Without its written authorization the present drawing shall neither be used for construction anyway, communicated to third parties, nor reproduced.

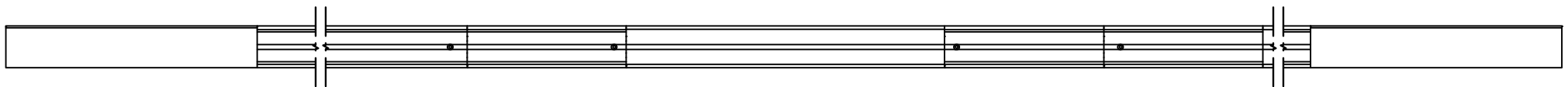


2880,0



1440,0

1440,0



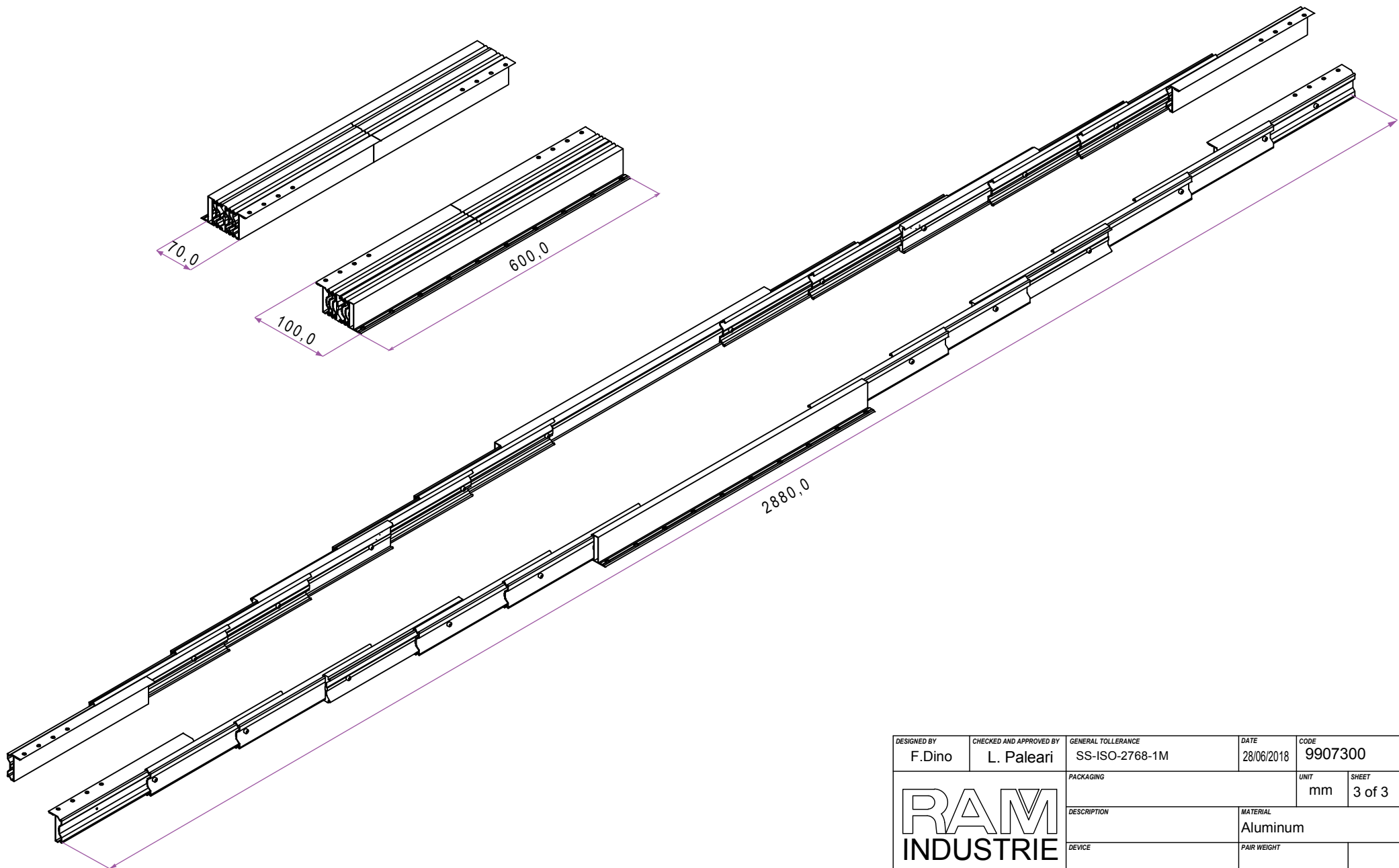
DESIGNED BY F. Dino	CHECKED AND APPROVED BY L. Paleari	GENERAL TOLLERANCE SS-ISO-2768-1M	DATE 28/06/2018	CODE 9907300
PACKAGING			UNIT mm	SHEET 2 of 3
DESCRIPTION			MATERIAL Aluminum	
DEVICE			PAIR WEIGHT	

**RAM**  
**INDUSTRIE**

Property of RAM Industrie.

Without its written authorization the present drawing shall neither be used for construction anyway, communicated to third parties, nor reproduced.

		REVISION HISTORY		
		REV	DESCRIPTION	DATE
Guide per cassetti; guide telescopiche	Coulisses à billes; coulisse télescopique			
Drawer slide; telescopic ball bearing slide	Guías para cajones; guía teleópica			
Kugelführung; Teleskopschienen		1a		28/06/2018



DESIGNED BY F.Dino	CHECKED AND APPROVED BY L. Paleari	GENERAL TOLERANCE SS-ISO-2768-1M	DATE 28/06/2018	CODE 9907300
PACKAGING			UNIT mm	SHEET 3 of 3
			MATERIAL Aluminum	
			PAIR WEIGHT	

Property of RAM Industrie.  
Without its written authorization the present drawing shall neither be used for construction anyway, communicated to third parties, nor reproduced.