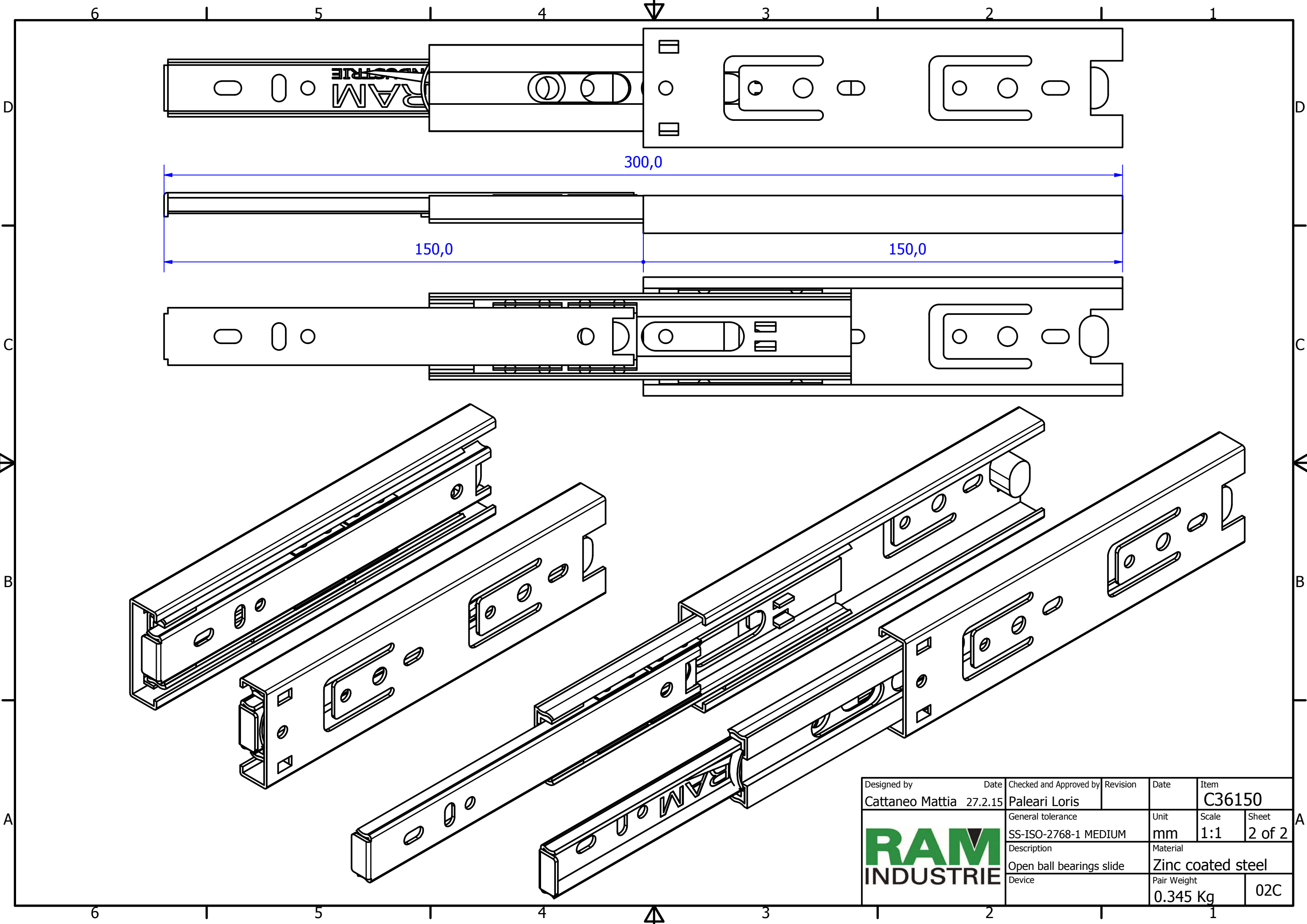



|                            |         |                         |                   |       |        |
|----------------------------|---------|-------------------------|-------------------|-------|--------|
| Designed by                | Date    | Checked and Approved by | Revision          | Date  | Item   |
| Cattaneo Mattia            | 27.2.15 | Paleari Loris           |                   |       | C36150 |
| General tolerance          |         |                         | Unit              | Scale | Sheet  |
| SS-ISO-2768-1 MEDIUM       |         |                         | mm                | 1:1   | 1 of 2 |
| Description                |         |                         | Material          |       |        |
| Closed ball bearings slide |         |                         | Zinc coated steel |       |        |
| Device                     |         |                         | Pair Weight       |       |        |
|                            |         |                         | 0.345 Kg          | 02C   |        |



|   |                 |  |   |                               |                |
|---|-----------------|--|---|-------------------------------|----------------|
| Designed by<br>Cattaneo Mattia  | Date<br>27.2.15 | Checked and Approved by<br>Paleari Loris | Revision                                  | Date                          | Item<br>C36150 |
|  |                 |  | General tolerance<br>SS-ISO-2768-1 MEDIUM | Unit<br>mm                    | Scale<br>1:1   |
|   |                 |  | Description<br>Open ball bearings slide   | Material<br>Zinc coated steel |                |
| Device  |                 |  |   | Pair Weight<br>0.345 Kg       | 02C            |