

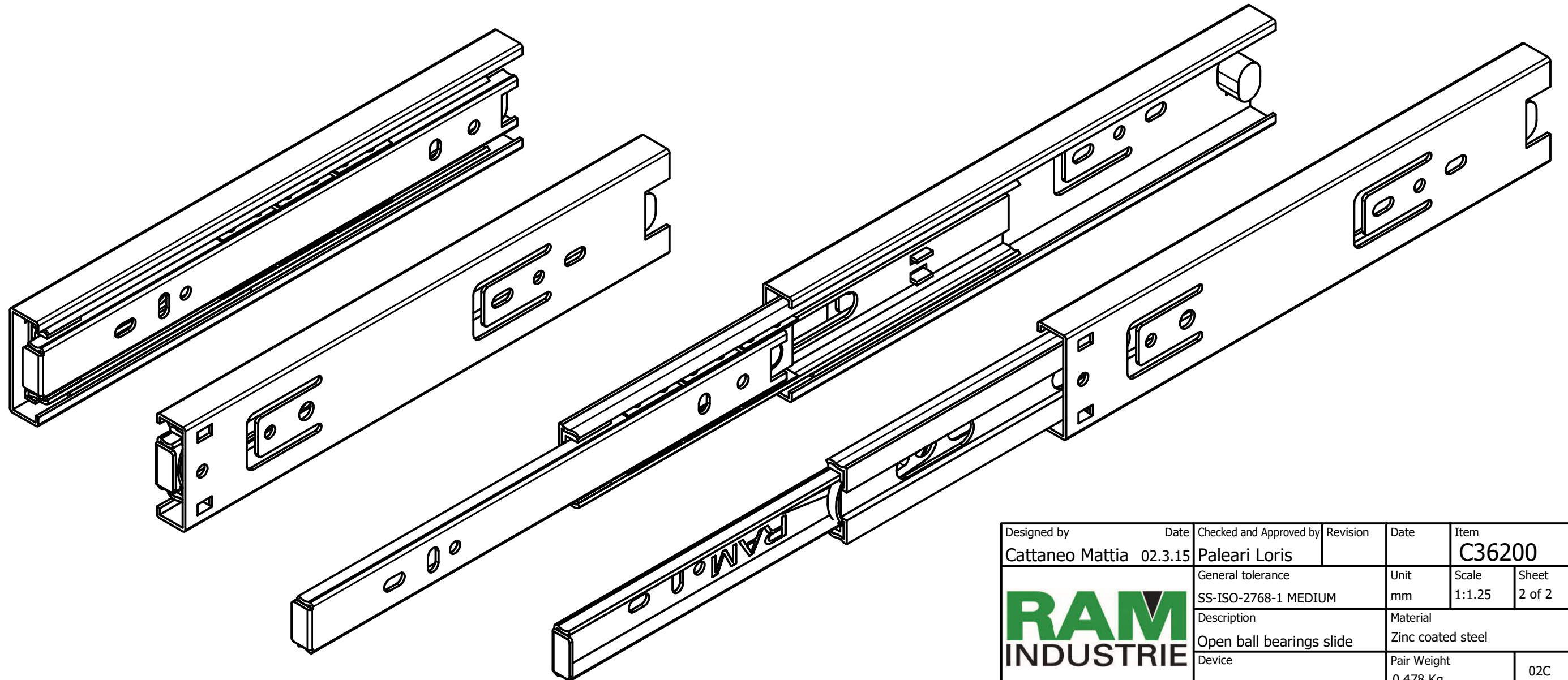
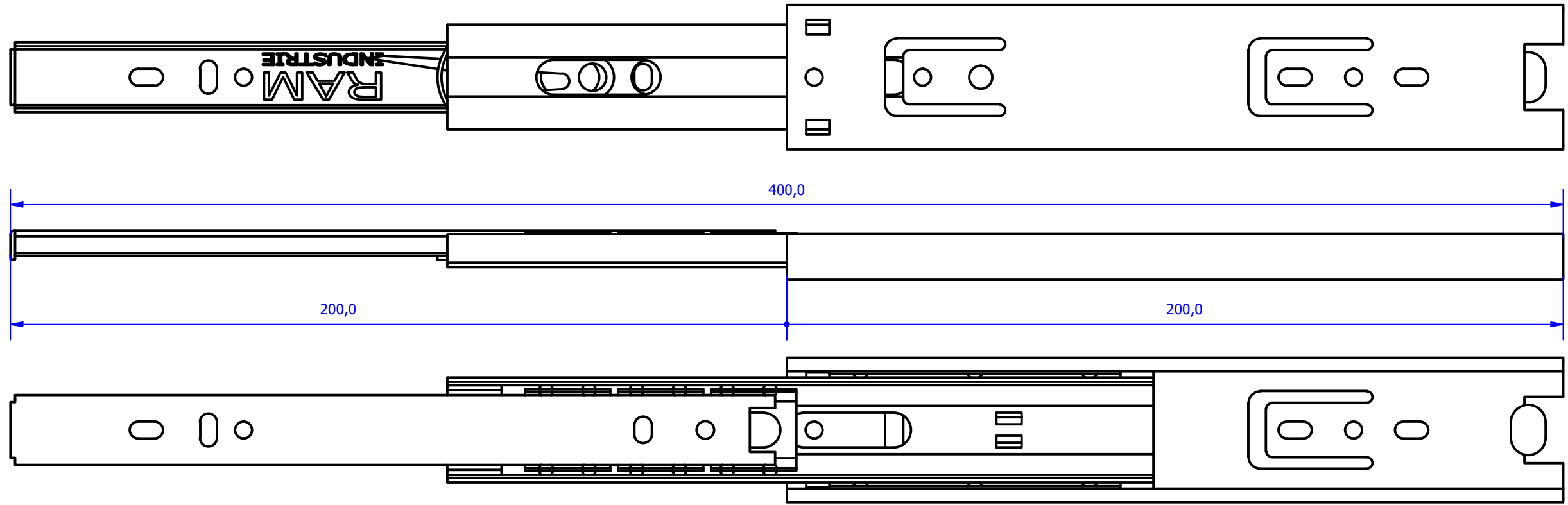
C-C (2:1)

B (1:1)

A (1:1)

REVISION HISTORY			
REV	DESCRIPTION	APPROVED BY	DATE
1	Added slotted hole (21-137)	F.Dino	21/12/2021
2	Eliminated REV 1 (21-155)	F.Dino	13/05/2022

Designed by Cattaneo Mattia	Date 02.3.15	Checked and Approved by Paleari Loris	Revision	Date	Item C36200	
			General tolerance SS-ISO-2768-1 MEDIUM	Unit mm	Scale 1:1	
			Description Closed ball bearings slide	Material Zinc coated steel		
			Device	Pair Weight 0.478 Kg	02C	



Designed by Cattaneo Mattia	Date 02.3.15	Checked and Approved by Paleari Loris	Revision	Date	Item C36200
General tolerance SS-ISO-2768-1 MEDIUM			Unit mm	Scale 1:1.25	Sheet 2 of 2
Description Open ball bearings slide			Material Zinc coated steel		
Device			Pair Weight 0.478 Kg	02C	

