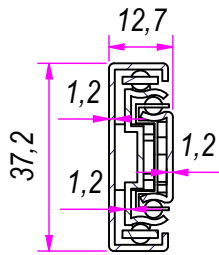
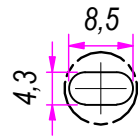


SEZ. A-A



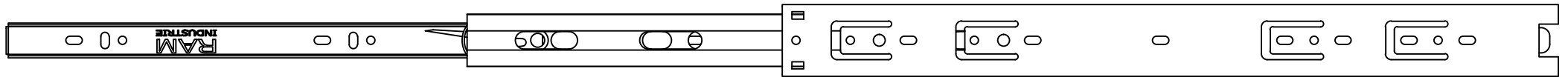
B (1:1)



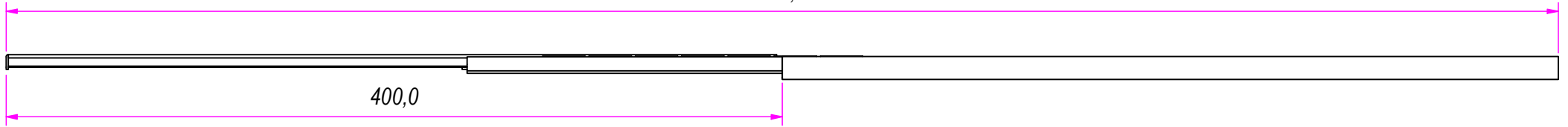
REVISION HISTORY		
REV	DESCRIPTION	DATE
1a	Before 7 mm and now 12 mm (17-11)	30/08/2017
2a	Removed slotted hole (17-11)	30/08/2017
3a	Eliminated REV 1a (18-08)	30/08/2017
4a	Eliminated REV 2a (18-08)	30/08/2017

Guide per cassetti; guide telescopiche	Coulisses à billes; coulisse télescopique
Drawer slide; telescopic ball bearing slide	Guías para cajones; guía teleópica
Kugelführung; Teleskopschienen	

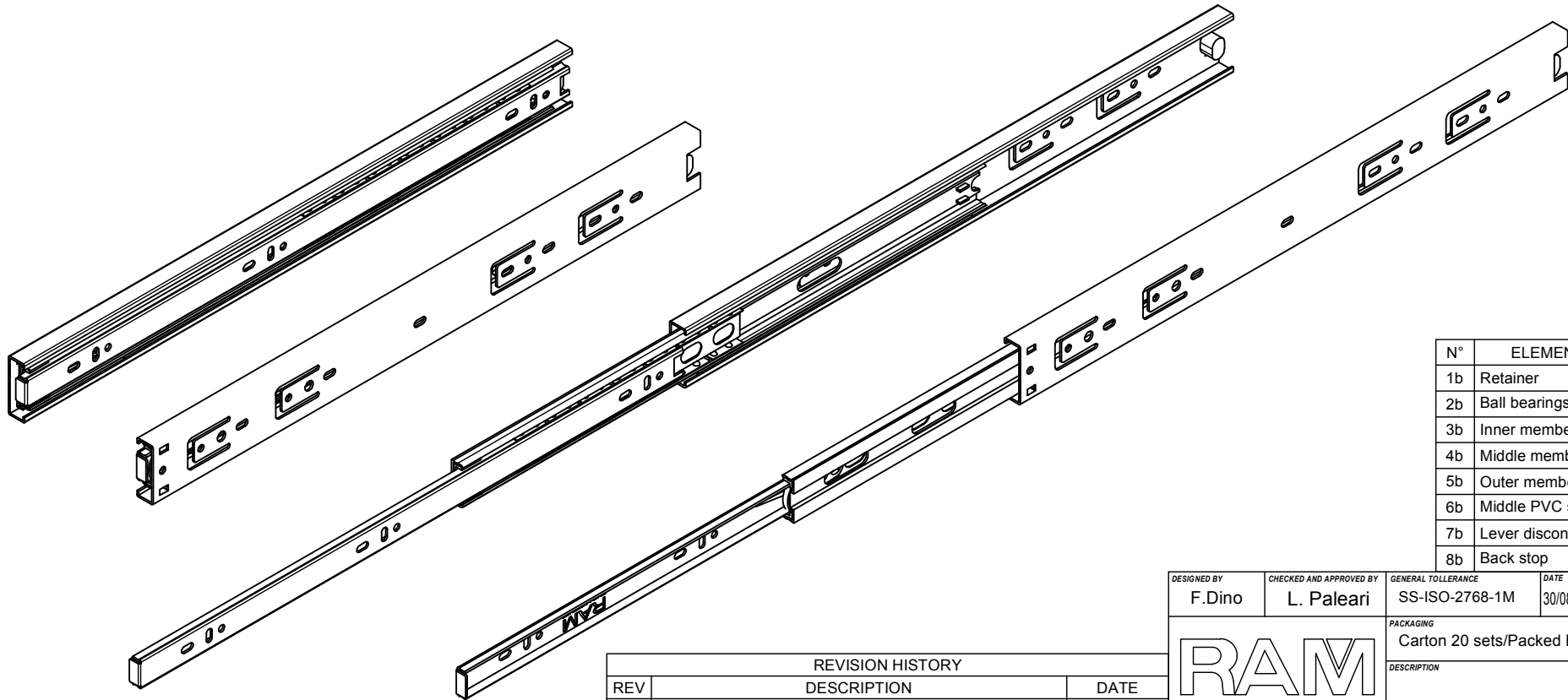
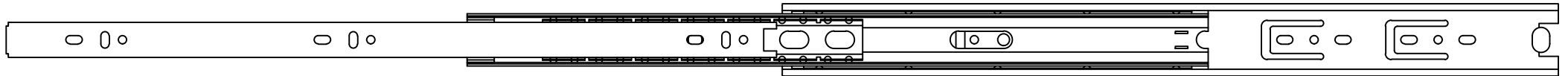
DESIGNED BY F. Dino	CHECKED AND APPROVED BY L. Paleari	GENERAL TOLERANCE SS-ISO-2768-1M	DATE 30/08/2017	SHEET 1 of 2	CODE C36400
		PACKAGING Carton 20 sets/Packed R+R	CYCLES TEST ✓	SALT SPRAY TEST ✓	L/O LABEL ✓
		DESCRIPTION	MATERIAL Cold rolled steel		
DEVICE		PAIR WEIGHT 0,959 Kg	UNIT mm	O2C	
<small>Property of RAM Industrie. Without its written authorization the present drawing shall neither be used for construction anyway, communicated to third parties, nor reproduced.</small>					



800,0



400,0



N°	ELEMENT	MATERIAL
1b	Retainer	Carbon steel
2b	Ball bearings	Carbon steel
3b	Inner member	Cold rolled steel
4b	Middle member	Cold rolled steel
5b	Outer member	Cold rolled steel
6b	Middle PVC stop	PVC
7b	Lever disconnect	PVC
8b	Back stop	Rubber

DESIGNED BY F. Dino	CHECKED AND APPROVED BY L. Paleari	GENERAL TOLLERANCE SS-ISO-2768-1M	DATE 30/08/2017	SHEET 2 of 2	CODE C36400
PACKAGING Carton 20 sets/Packed R+R		DESCRIPTION	CYCLES TEST ✓	SALT SPRAY TEST	L/O LABEL ✓
MATERIAL Cold rolled steel			PAIR WEIGHT 0,959 Kg	UNIT mm	02C

RAM
INDUSTRIE

REVISION HISTORY		
REV	DESCRIPTION	DATE
1a	Before 7 mm and now 12 mm (17-11)	30/08/2017
2a	Removed slotted hole (17-11)	30/08/2017
3a	Eliminated REV 1a (18-08)	30/08/2017
4a	Eliminated REV 2a (18-08)	30/08/2017

Guide per cassetti; guide telescopiche	Coulisses à billes; coulisse télescopique
Drawer slide; telescopic ball bearing slide	Guías para cajones; guía teleópica
Kugelführung; Teleskopschienen	

Property of RAM Industrie.
Without its written authorization the present drawing shall neither be used for construction anyway, communicated to third parties, nor reproduced.