
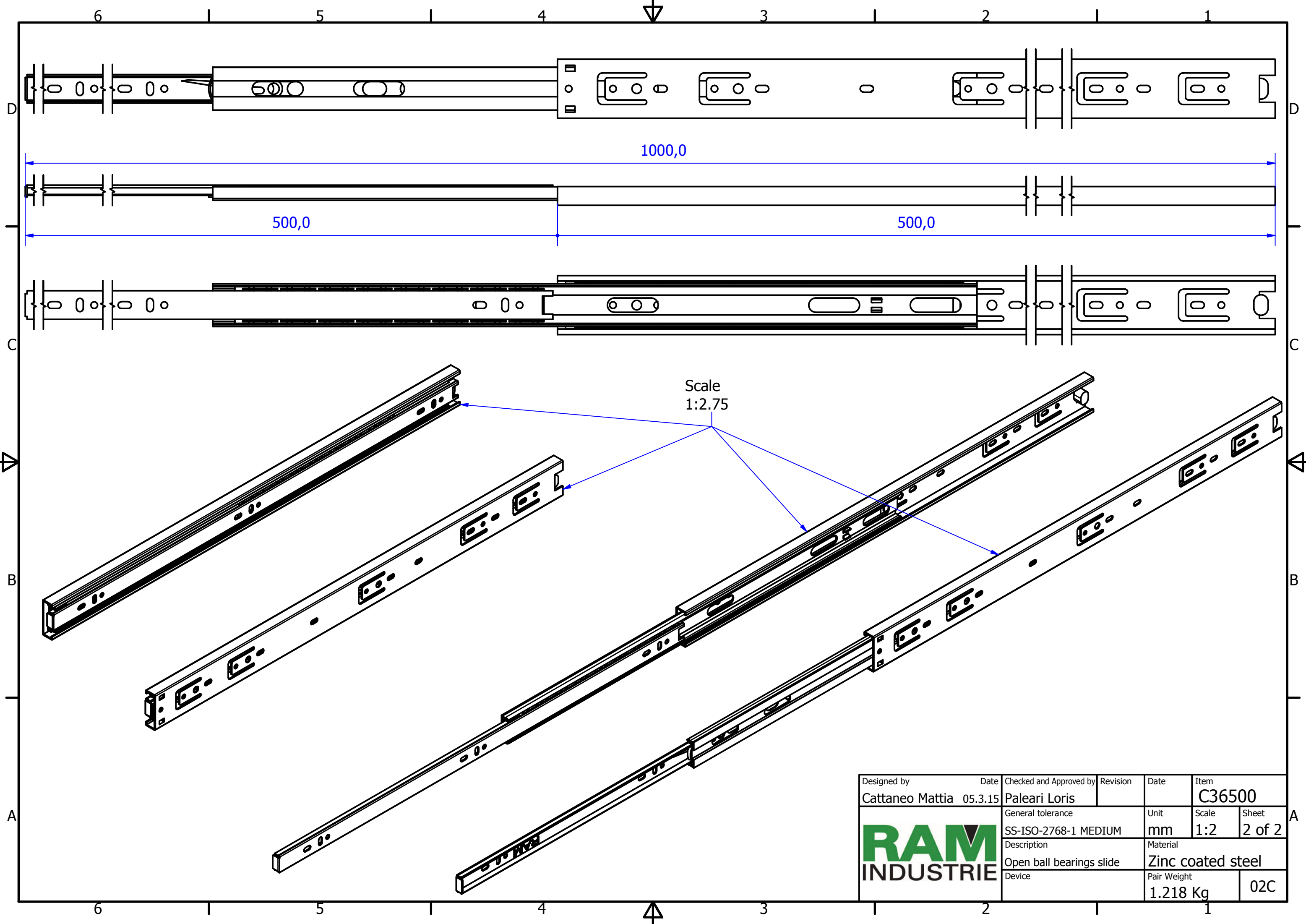



Cage with 16 ball bearings pairs

Designed by Cattaneo Mattia	Date 05.3.15	Checked and Approved by Paleari Loris	Revision	Date	Item C36500
			General tolerance SS-ISO-2768-1 MEDIUM	Unit mm	Scale 1:1.5
			Description Closed ball bearings slide	Material Zinc coated steel	Sheet 1 of 2
Device				Pair Weight 1.218 Kg	02C



Designed by	Date	Checked and Approved by	Revision	Date	Item
Cattaneo Mattia	05.3.15	Paleari Loris			C36500
			General tolerance	Unit	Scale
			SS-ISO-2768-1 MEDIUM	mm	1:2
Description			Material		
Open ball bearings slide			Zinc coated steel		
Device			Pair Weight	02C	
			1.218 Kg		