
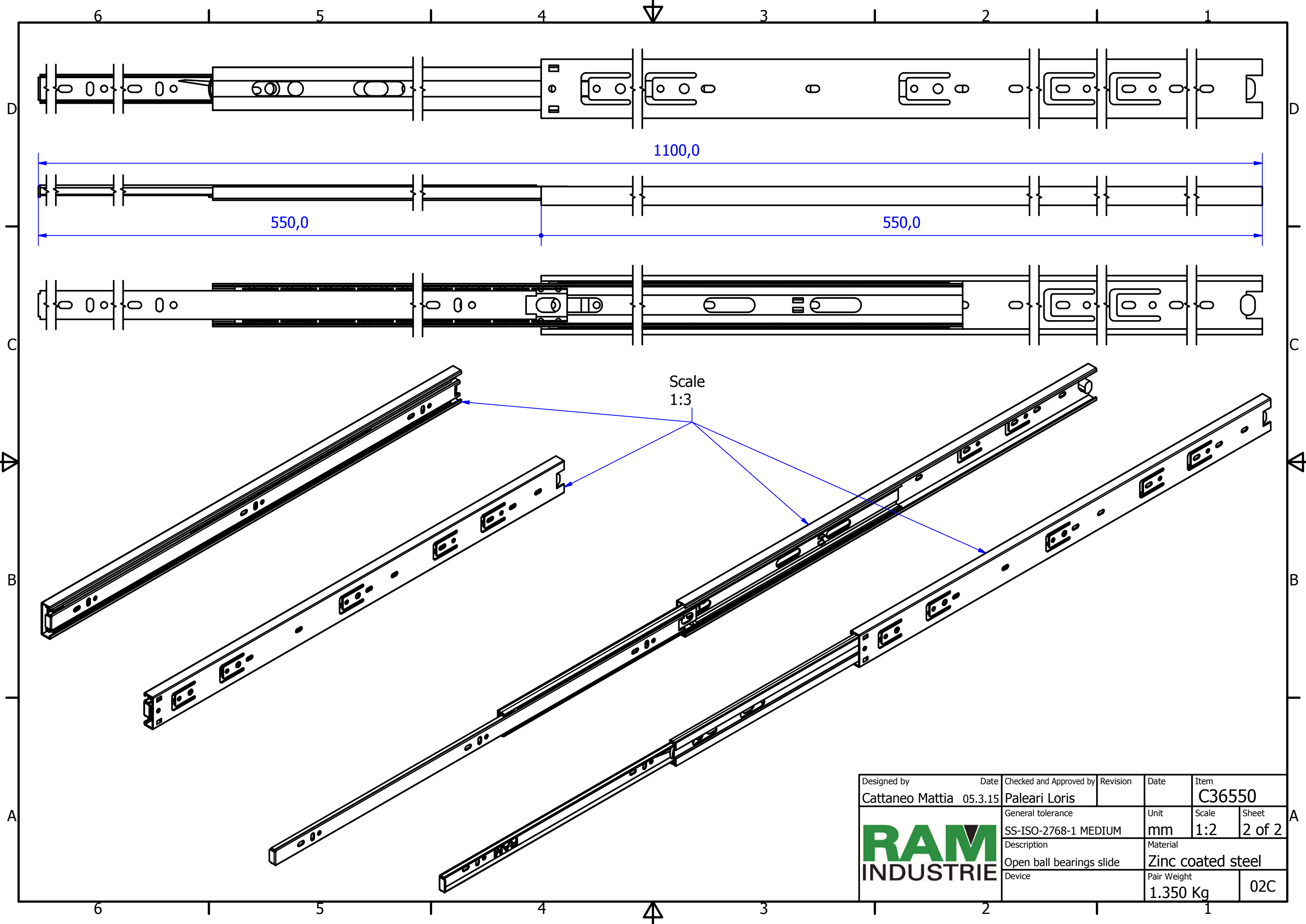



Designed by Cattaneo Mattia	Date 05.3.15	Checked and Approved by Paleari Loris	Revision	Date	Item C36550
			General tolerance SS-ISO-2768-1 MEDIUM	Unit mm	Scale 1:1.5
			Description Closed ball bearings slide	Material Zinc coated steel	Sheet 1 of 2
Device				Pair Weight 1.350 Kg	02C



Scale
1:3

Designed by Cattaneo Mattia	Date 05.3.15	Checked and Approved by Paleari Loris	Revision	Date	Item C36550
		General tolerance SS-ISO-2768-1 MEDIUM	Unit mm	Scale 1:2	Sheet 2 of 2
		Description Open ball bearings slide	Material Zinc coated steel		
Device		Pair Weight 1.350 Kg	02C		