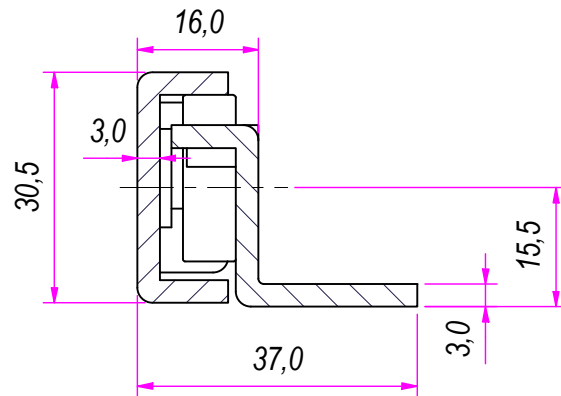


SEZ. A-A

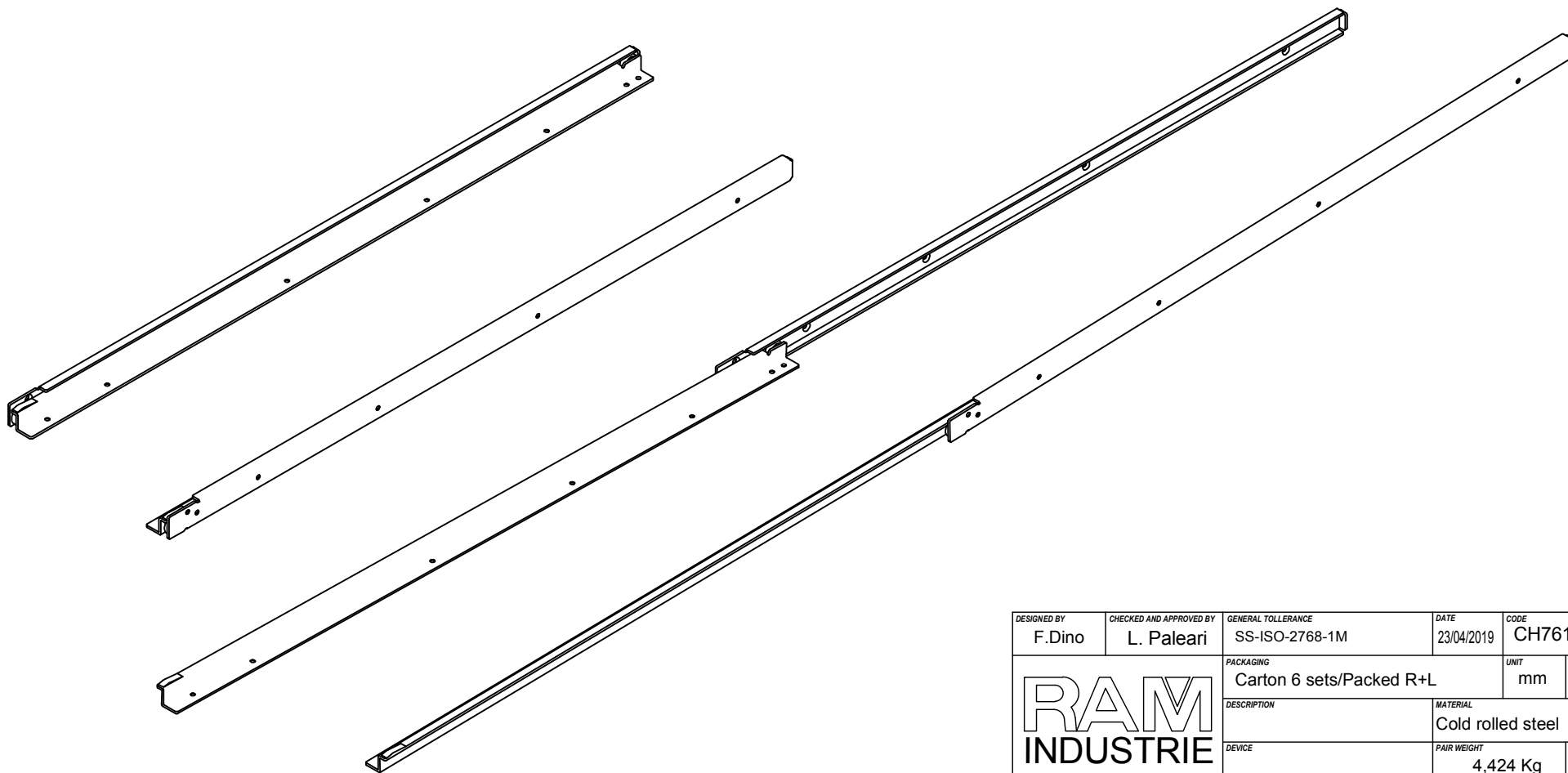
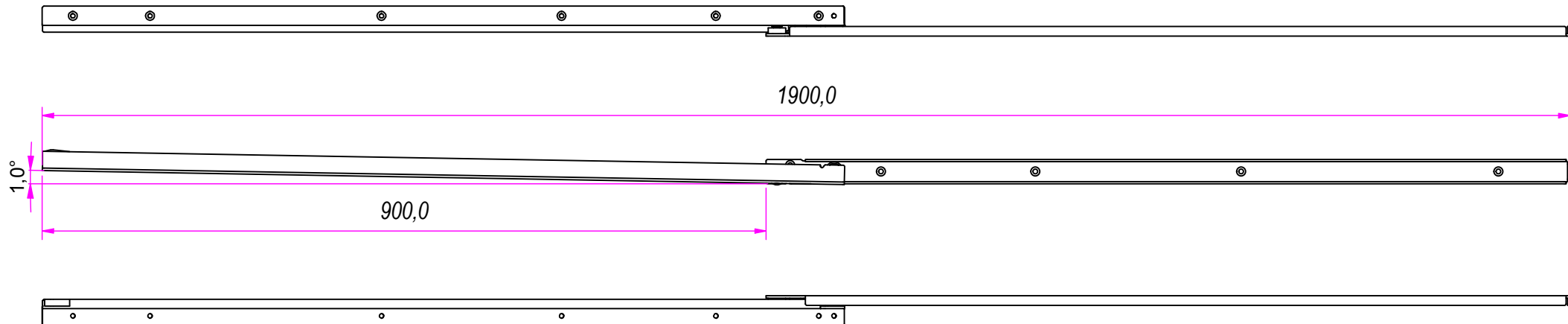


DESIGNED BY F.Dino	CHECKED AND APPROVED BY L. Paleari	GENERAL TOLERANCE SS-ISO-2768-1M	DATE 23/04/2019	CODE CH761000
PACKAGING Carton 6 sets/Packed R+L			UNIT mm	SHEET 1 of 2
DESCRIPTION DRAWER SLIDE			MATERIAL Cold rolled steel	
DEVICE			PAIR WEIGHT 4,424 Kg	02C

**RAM**  
**INDUSTRIE**

GUIDE PER CASSETTI; GUIDE TELESCOPICHE		COULISSES À BILLES; COULISSE TÉLESCOPIQUE		REVISION HISTORY	
DRAWER SLIDE; TELESCOPIC BALL BEARING SLIDE		GUÍAS PARA CAJONES; GUÍA TELEÓPICA		REV	DESCRIPTION
KUGELFÜHRUNG; TELESKOPSCIENEN				DATE	
				1a	23/04/2019

Property of RAM Industrie.  
Without its written authorization the present drawing shall neither be used for construction anyway, communicated to third parties, nor reproduced.



DESIGNED BY F.Dino	CHECKED AND APPROVED BY L. Paleari	GENERAL TOLERANCE SS-ISO-2768-1M	DATE 23/04/2019	CODE CH761000
PACKAGING Carton 6 sets/Packed R+L			UNIT mm	SHEET 2 of 2
			MATERIAL Cold rolled steel	
			PAIR WEIGHT 4,424 Kg	02C

Property of RAM Industrie.  
Without its written authorization the present drawing shall neither be used for construction anyway, communicated to third parties, nor reproduced.