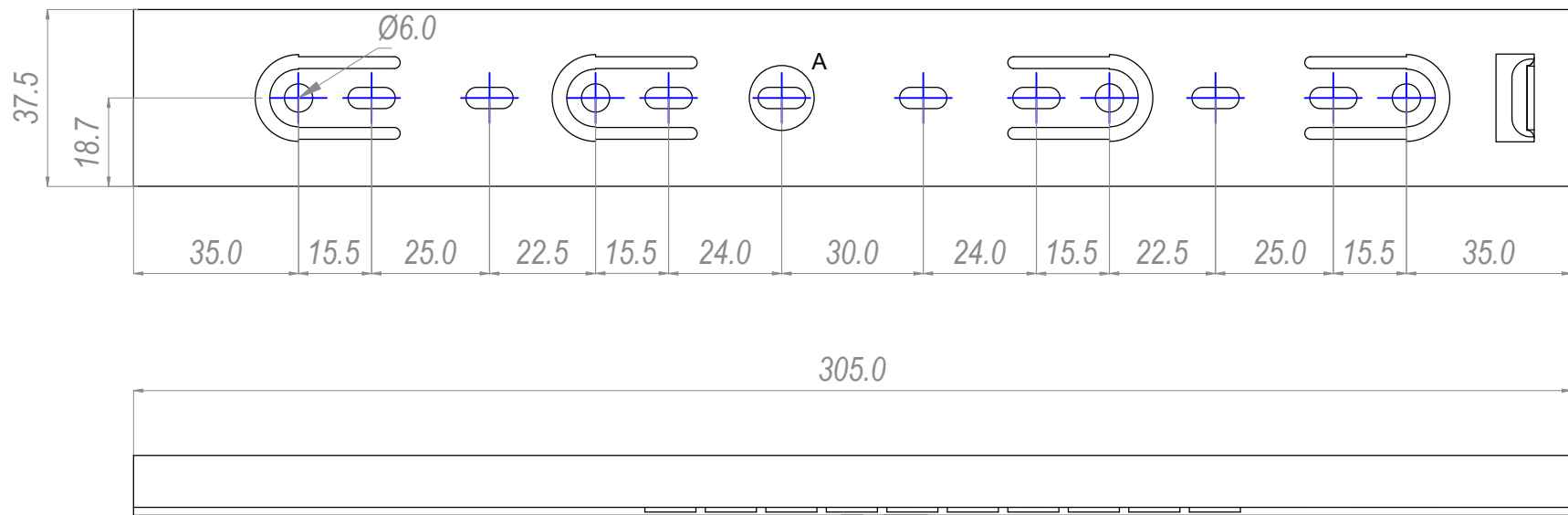
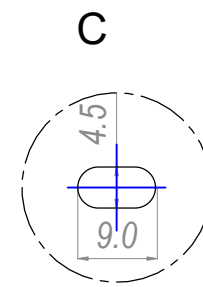
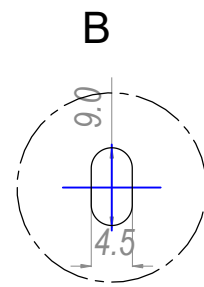
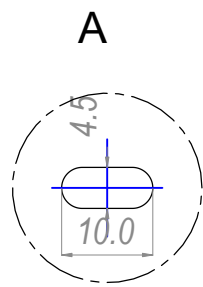
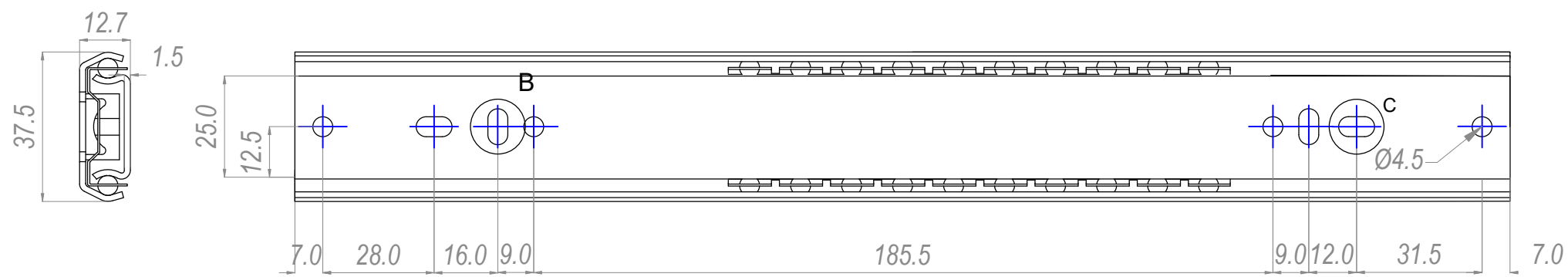


INDICAZIONE PER LE TOLLERANZE INDIVIDUALI  
INDICAZIONE PER LE TOLLERANZE SENZA INDICAZIONE  
TOLLERANZE INDICAZIONI ISO 2768-mH

0.5	3	10	30	100	300	1000	3000
±0.2	±0.3	±0.5	±0.8	±1.2	±2	±3	±4



**SEZ A-A'**



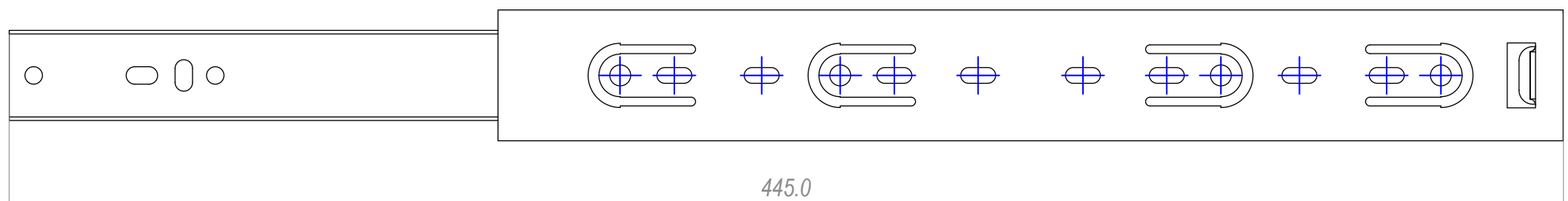
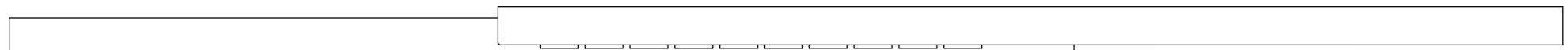
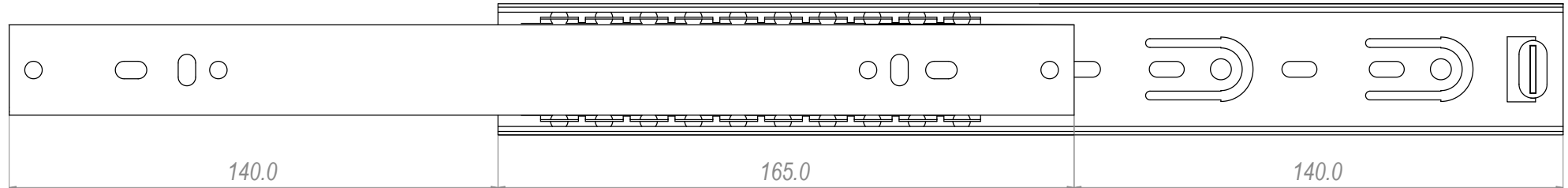
THIS DRAWING IS THE EXCLUSIVE PROPERTY OF RAM INDUSTRIE (THE COMPANY)  
 WITHOUT ANY PRIOR WRITTEN AUTHORIZATION OF THE COMPANY  
 THIS DRAWING CANNOT BE USED FOR CONSTRUCTION, NEITHER TRANSFERRED  
 TO ANY THIRD PARTY OR EVEN PARTIALLY REPRODUCED.  
 THE COMPANY WILL LEGALLY DEFEND ITS OWN RIGHTS

DESIGNED BY A. d'Alesio	CHECKED AND APPROVED BY T. Grassi	GENERAL TOLLERANCE SS-ISO-2768-1M	DATE 15/12/2023	CODE D35300
		DESCRIPTION	MATERIAL	UNIT mm
		DEVICE	PAIR WEIGHT WITH CARTON	SHEET 1 of 2
			PACKAGING Carton 1 piece	


Property of RAM industrie  
Without its written authorization the present drawing shall neither be used for construction anyway, communicated to third parties, nor reproduced.

INDICAZIONE PER DIMENSIONI INDIVIDUALI  
INDICAZIONE PER DIMENSIONI GLOBALI  
TOLLERANCE INDICATIONS ISO 2768-mH  
Nominal dimensions (mm)

0.5	3	6	10	15	20	30	40	50	60	80	100	120	150	200	250	300	400	500	600	800	1000
±0.2	±0.3	±0.5	±0.8	±1.2	±2	±3	±4														



THIS DRAWING IS THE EXCLUSIVE PROPERTY OF RAM INDUSTRIE (THE COMPANY)  
 WITHOUT ANY PRIOR WRITTEN AUTHORIZATION OF THE COMPANY  
 THIS DRAWING CANNOT BE USED FOR CONSTRUCTION, NEITHER TRANFERRED  
 TO ANY THIRD PARTY OR EVEN PARTIALLY REPRODUCED.  
 THE COMPANY WILL LEGALLY DEFEND ITS OWN RIGHTS

DESIGNED BY A. d'Alesio	CHECKED AND APPROVED BY T. Grassi	GENERAL TOLLERANCE SS-ISO-2768-1M	DATE 15/12/2023	CODE D35300	
		DECRPTION	MATERIAL	UNIT mm	SHEET 2 of 2
		DEVICE	PAIR WEIGHT WITH CARTON	PACKAGING Carton 1 piece	

Property of RAM industrie  
Without its written authorization the present drawing shall neither be used for construction anyway, communicated to third parties, nor reproduced.