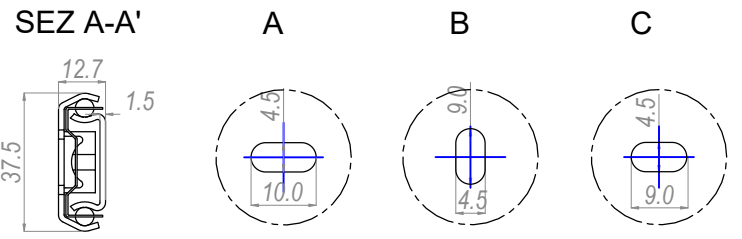
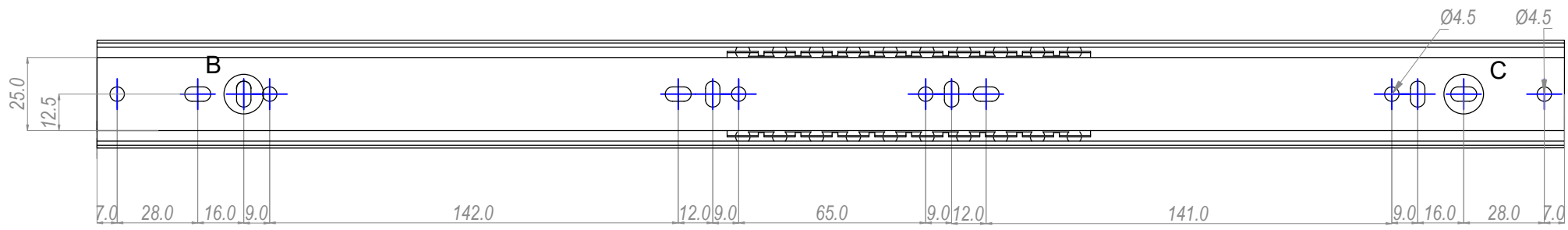
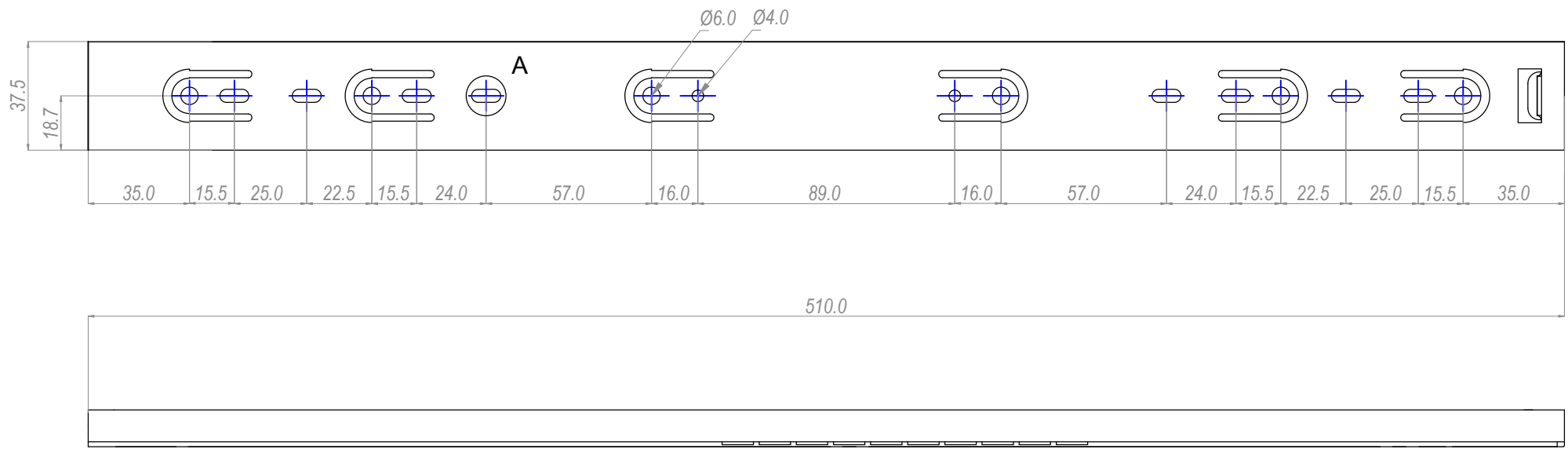


INDICAZIONE PER DIMENSIONI INDIVIDUALI
INDICAZIONE PER DIMENSIONI SENZA INDICAZIONE INDIVIDUALE

INDICAZIONE PER DIMENSIONI INDIVIDUALI
INDICAZIONE PER DIMENSIONI SENZA INDICAZIONE INDIVIDUALE

TOLERANCE INDICATIONS ISO 2768-mH

0.5	3	6	10	15	20	30	40	50	63	80	100	125	160	200	250	315	400	500	630	800	1000
±0.2	±0.3	±0.5	±0.8	±1.2	±2	±3	±4	±5	±7	±10	±15	±20	±30	±40	±50	±70	±100	±150	±200	±300	±400



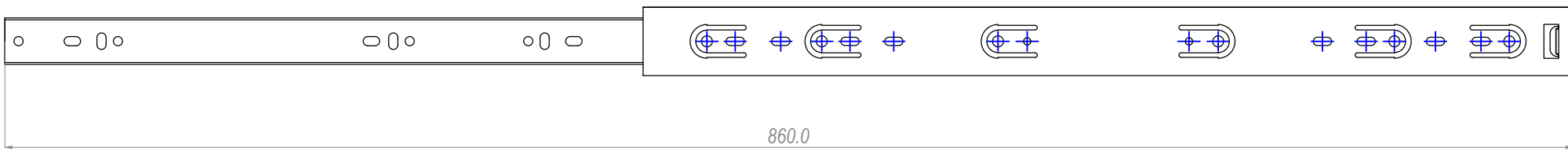
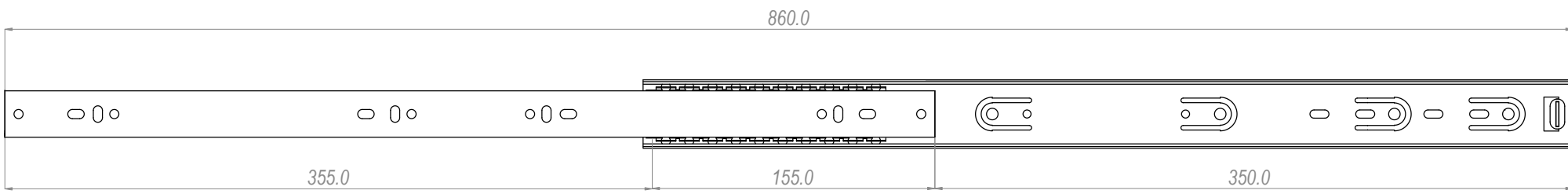
THIS DRAWING IS THE EXCLUSIVE PROPERTY OF RAM INDUSTRIE (THE COMPANY)
WITHOUT ANY PRIOR WRITTEN AUTHORIZATION OF THE COMPANY
THIS DRAWING CANNOT BE USED FOR CONSTRUCTION, NEITHER TRANSFERRED
TO ANY THIRD PARTY OR EVEN PARTIALLY REPRODUCED.
THE COMPANY WILL LEGALLY DEFEND ITS OWN RIGHTS

DESIGNED BY A. d'Alesio	CHECKED AND APPROVED BY T. Grassi	GENERAL TOLLERANCE SS-ISO-2768-1M	DATE 15/12/2023	CODE D35500
		DESCRIPTION	MATERIAL	UNIT mm
		DEVICE	PAIR WEIGHT WITH CARTON	SHEET 1 of 2
			PACKAGING Carton 1 piece	

Property of RAM industrie
Without its written authorization the present drawing shall neither be used for construction anyway, communicated to third parties, nor reproduced.

INDICAZIONE DELLE TOLLERANZE
INDICAZIONE PER OVER DIMENSIONI SENZA INDIVIDUALI
TOLLERANCE INDICATIONS ISO 2768-mH
Nominal dimensions (mm)

0.5	3	10	30	100	300	1000	3000
±0.2	±0.3	±0.5	±0.8	±1.2	±2	±3	±4



THIS DRAWING IS THE EXCLUSIVE PROPERTY OF RAM INDUSTRIE (THE COMPANY)
 WITHOUT ANY PRIOR WRITTEN AUTHORIZATION OF THE COMPANY
 THIS DRAWING CANNOT BE USED FOR CONSTRUCTION, NEITHER TRANFERED
 TO ANY THIRD PARTY OR EVEN PARTIALLY REPRODUCED.
 THE COMPANY WILL LEGALLY DEFEND ITS OWN RIGHTS

DESIGNED BY A. d'Alesio	CHECKED AND APPROVED BY T. Grassi	GENERAL TOLLERANCE SS-ISO-2768-1M	DATE 15/12/2023	CODE D35500	
RAM INDUSTRIE		DECRPTION	MATERIAL	UNIT mm	SHEET 2 of 2
		DEVICE	PAIR WEIGHT WITH CARTON	PACKAGING Carton 1 piece	

Property of RAM industrie
Without its written authorization the present drawing shall neither be used for construction anyway, communicated to third parties, nor reproduced.