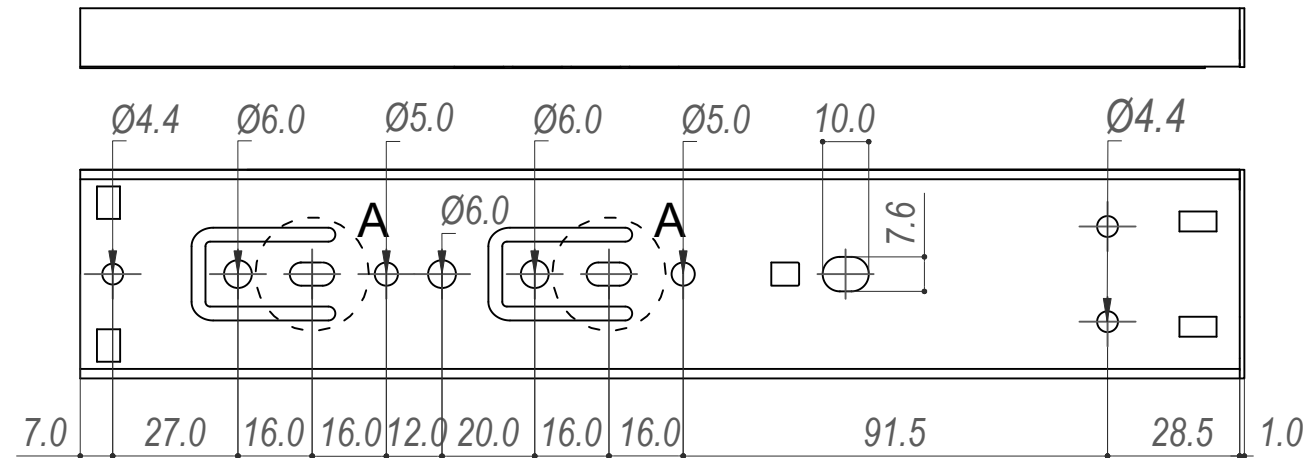
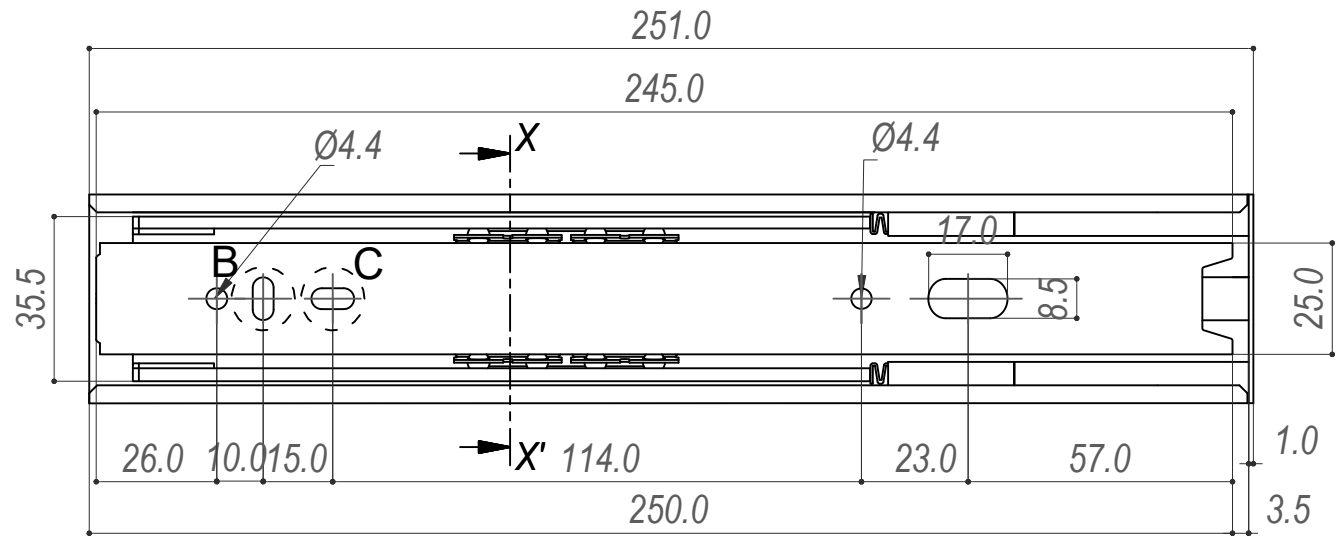
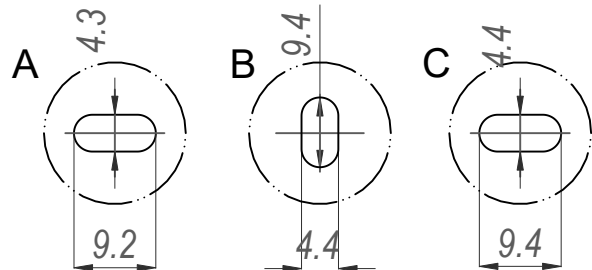

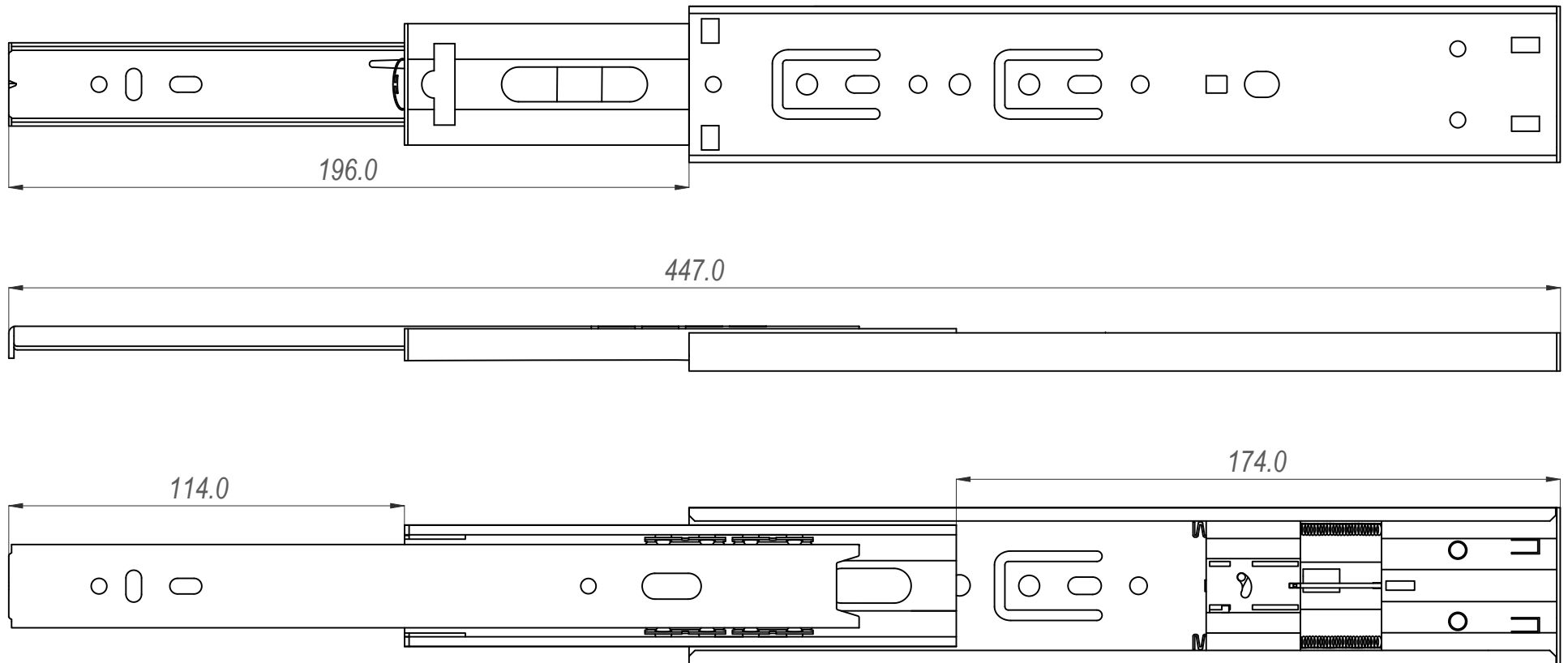



SEZ XX'



DESIGNED BY A. d'Alesio	CHECKED AND APPROVED BY T. Grassi	GENERAL TOLLERANCE SS-ISO-2768-1M	DATE 24/01/2023	CODE E42250	
		DECRPTION	MATERIAL Cold rolled steel	UNIT mm	SHEET 1 of 2
		DEVICE Soft self closing	PAIR WEIGHT WITH CARTON 0,58	PACKAGING Carton 1 piece	

Property of RAM industrie  
Without its written authorization the present drawing shall neither be used for construction anyway, communicated to third parties, nor reproduced.



DESIGNED BY A. d'Alesio	CHECKED AND APPROVED BY T. Grassi	GENERAL TOLLERANCE SS-ISO-2768-1M	DATE 24/01/2023	CODE E42250	
		DECRPTION	MATERIAL Cold rolled steel	UNIT mm	SHEET 2 of 2
		DEVICE Soft self closing	PAIR WEIGHT WITH CARTON 0,58	PACKAGING Carton 1 piece	

Property of RAM industrie  
Without its written authorization the present drawing shall neither be used for construction anyway, communicated to third parties, nor reproduced.