
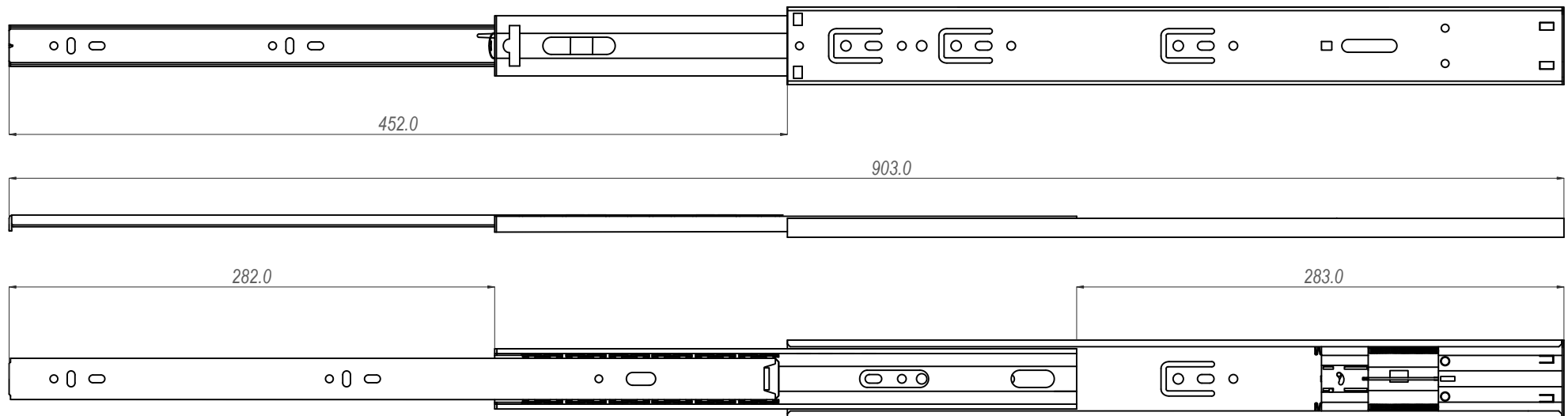



|   |                                      |                                      |                                  |                             |                 |
|---|--------------------------------------|--------------------------------------|----------------------------------|-----------------------------|-----------------|
| DESIGNED BY<br>A. d'Alesio  | CHECKED AND APPROVED BY<br>T. Grassi | GENERAL TOLLERANCE<br>SS-ISO-2768-1M | DATE<br>24/01/2023               | CODE<br>E42450              |                 |
|  |                                      | DESCRIPTION                          | MATERIAL<br>Cold rolled steel    | UNIT<br>mm                  | SHEET<br>1 of 2 |
|   |                                      | DEVICE<br>Soft self closing          | PAIR WEIGHT WITH CARTON<br>1,078 | PACKAGING<br>Carton 1 piece |                 |

Property of RAM industrie  
Without its written authorization the present drawing shall neither be used for construction anyway, communicated to third parties, nor reproduced.

CEZ XVI



|   |                                      |                                      |                                  |                             |                 |
|---|--------------------------------------|--------------------------------------|----------------------------------|-----------------------------|-----------------|
| DESIGNED BY<br>A. d'Alesio  | CHECKED AND APPROVED BY<br>T. Grassi | GENERAL TOLLERANCE<br>SS-ISO-2768-1M | DATE<br>24/01/2023               | CODE<br>E42450              |                 |
|  |                                      | DECRPTION                            | MATERIAL<br>Cold rolled steel    | UNIT<br>mm                  | SHEET<br>2 of 2 |
|   |                                      | DEVICE<br>Soft self closing          | PAIR WEIGHT WITH CARTON<br>1,078 | PACKAGING<br>Carton 1 piece |                 |

Property of RAM industrie  
Without its written authorization the present drawing shall neither be used for construction anyway, communicated to third parties, nor reproduced.