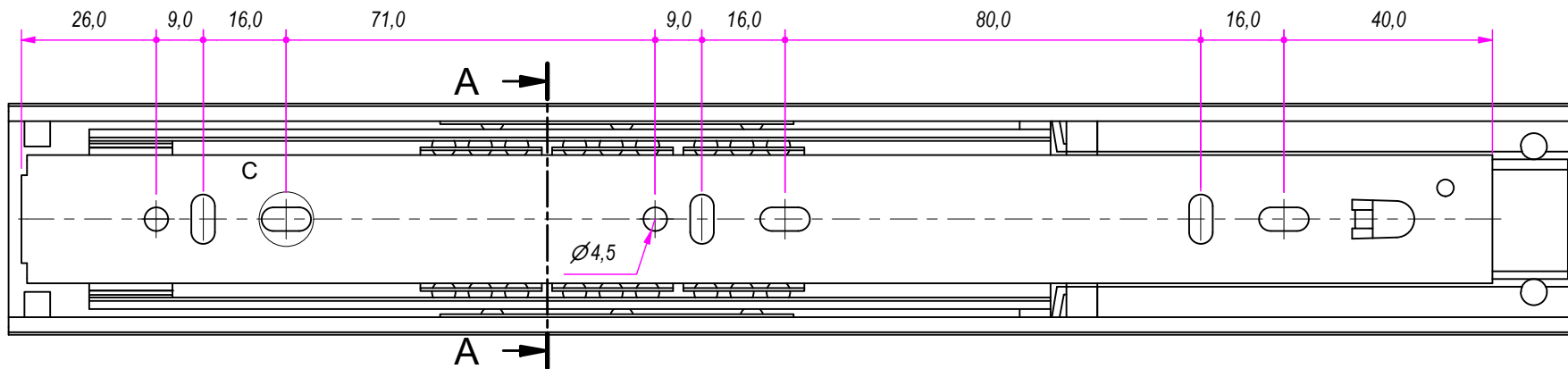
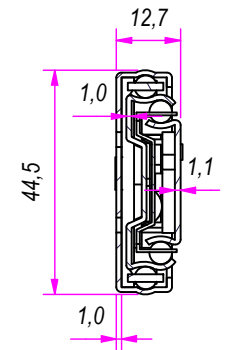


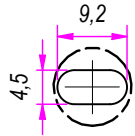
302,0



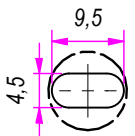
SEZ. A-A



B (1:1)



C (1:1)



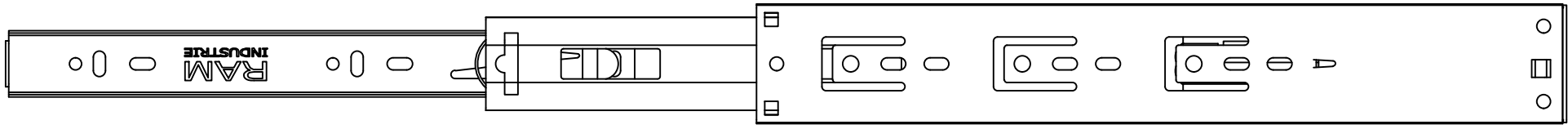
DESIGNED BY F. Dino	CHECKED AND APPROVED BY L. Paleari	GENERAL TOLLERANCE SS-ISO-2768-1M	DATE 30/07/2019	CODE F42300
PACKAGING Carton 15 sets/Packed R+R			UNIT mm	SHEET 1 of 2
DESCRIPTION Soft self closing			MATERIAL Cold rolled steel	PAIR WEIGHT 11C 0,686 Kg

**RAM**  
**INDUSTRIE**

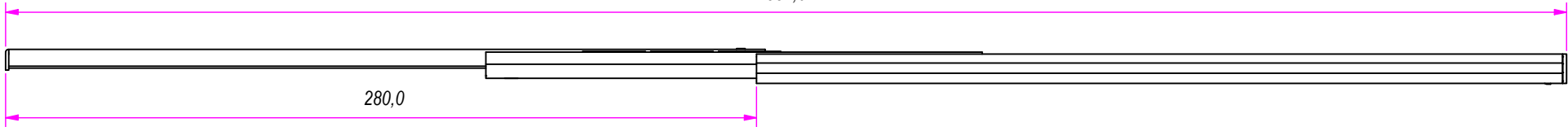
REVISION HISTORY			
REV	DESCRIPTION	DATE	
1	Added slotted hole (21-247)	10/05/2022	
2	Eliminated hole (21-247)	10/05/2022	

Guide per cassetti; guide telescopiche	Coulisses à billes; coulisse télescopique
Drawer slide; telescopic ball bearing slide	Guías para cajones; guía teleópica
Kugelführung; Teleskopschienen	

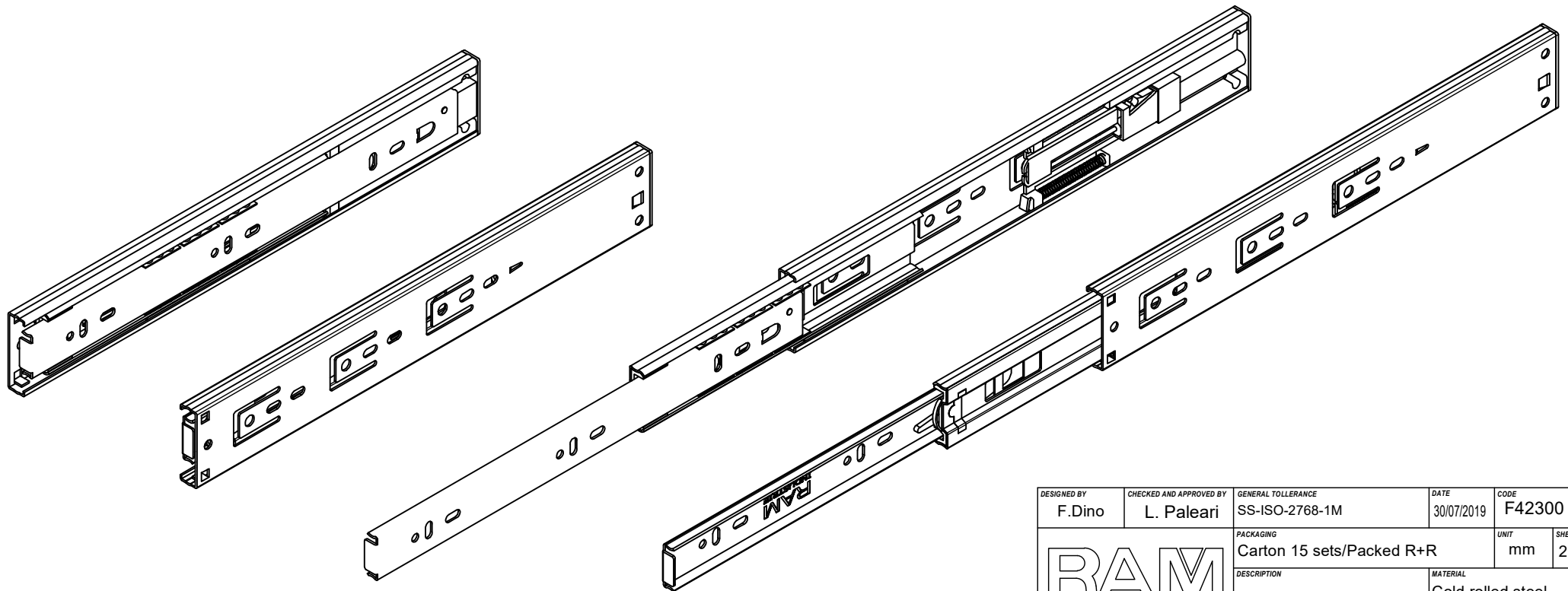
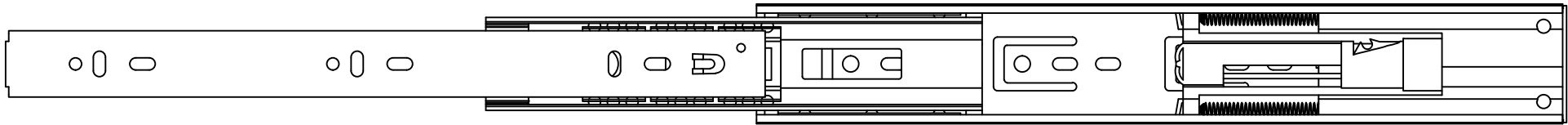
Property of RAM Industrie.  
Without its written authorization the present drawing shall neither be used for construction anyway, communicated to third parties, nor reproduced.



582,0



280,0



DESIGNED BY F. Dino	CHECKED AND APPROVED BY L. Paleari	GENERAL TOLERANCE SS-ISO-2768-1M	DATE 30/07/2019	CODE F42300
PACKAGING Carton 15 sets/Packed R+R			UNIT mm	SHEET 2 of 2
DESCRIPTION Soft self closing			MATERIAL Cold rolled steel	PAIR WEIGHT 11C 0,686 Kg

**RAM**  
**INDUSTRIE**

REVISION HISTORY

REV	DESCRIPTION	DATE
1	Added slotted hole (21-247)	10/05/2022
2	Eliminated hole (21-247)	10/05/2022

Guide per cassetti; guide telescopica	Coulisses à billes; coulisse télescopique
Drawer slide; telescopic ball bearing slide	Guías para cajones; guía teleópica
Kugelführung; Teleskopschienen	

Property of RAM Industrie.  
Without its written authorization the present drawing shall neither be used for construction anyway, communicated to third parties, nor reproduced.