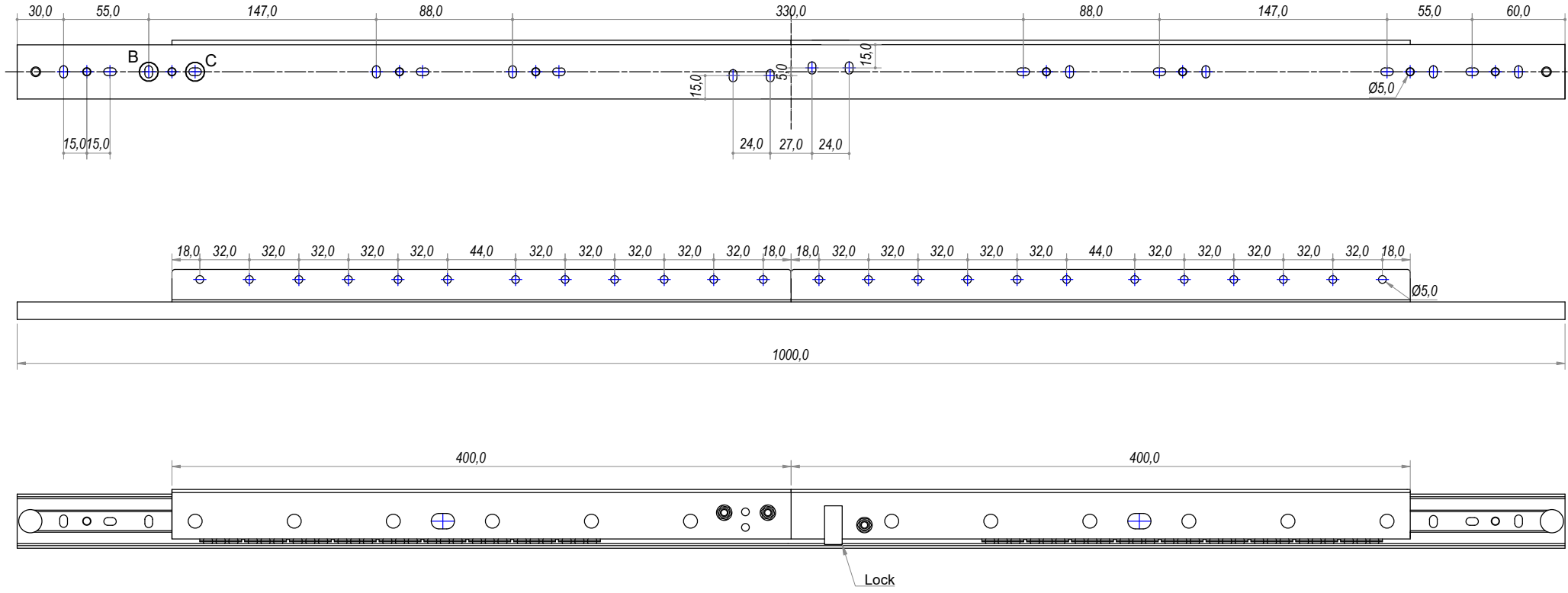


INDICAZIONE PER DIMENSIONI SENZA TOLLERANZA INDIVIDUALE
TOLLERANCE INDICATIONS ISO 2768-mH
Nominal dimensions (mm)

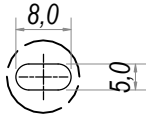
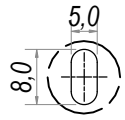
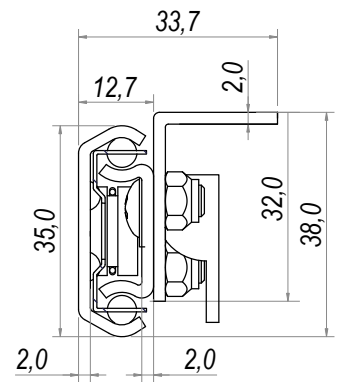
0,5	3	6	10	15	20	30	40	50	63	80	100	125	160	200	250	315	400	500	630	800	1000
±0,2	±0,3	±0,5	±0,8	±1,2	±2	±3	±4	±5	±7	±10	±15	±20	±30	±40	±50	±70	±100	±150	±200	±300	±400



SEZ. A-A

B (1:1)

C (1:1)



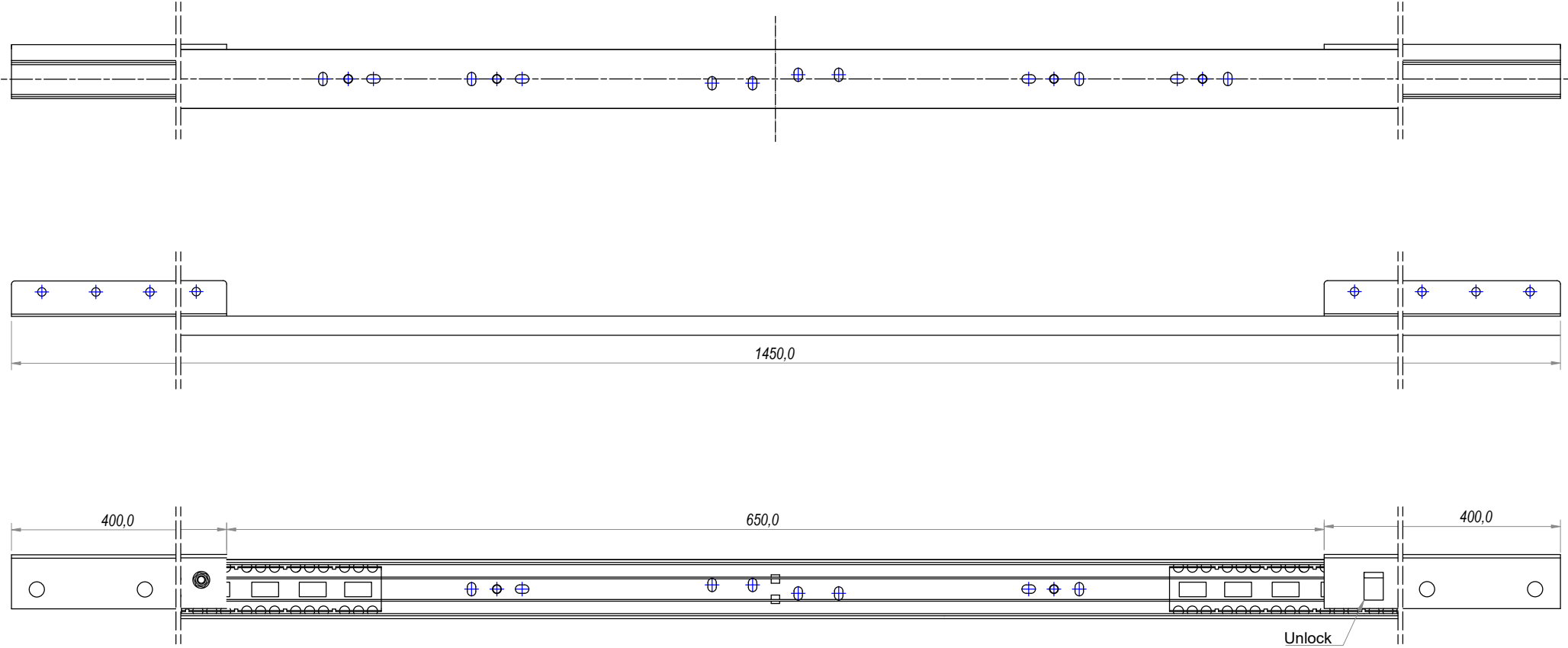
THIS DRAWING IS THE EXCLUSIVE PROPERTY OF RAM INDUSTRIE (THE COMPANY) WITHOUT ANY PRIOR WRITTEN AUTHORIZATION OF THE COMPANY THIS DRAWING CANNOT BE USED FOR CONSTRUCTION, NEITHER TRANSFERRED TO ANY THIRD PARTY OR EVEN PARTIALLY REPRODUCED. THE COMPANY WILL LEGALLY DEFEND ITS OWN RIGHTS

DESIGNED BY A. d'Alesio	CHECKED AND APPROVED BY T. Grassi	GENERAL TOLLERANCE SS-ISO-2768-1M	DATE 18/12/2023	CODE F931000
		DESCRIPTION	MATERIAL	UNIT mm
		DEVICE	PAIR WEIGHT WITH CARTON	SHEET 1 of 2
			PACKAGING	Carton 1 piece

Property of RAM industrie
Without its written authorization the present drawing shall neither be used for construction anyway, communicated to third parties, nor reproduced.

INDICAZIONE PER DIMENSIONI SENZA TOLLERANZA INDIVIDUALE
 INDICAZIONE PER DIMENSIONI SENZA TOLLERANZA INDIVIDUALE
 TOLERANCE INDICATIONS ISO 2768-mH
 Nominal dimensions (mm)

0,5	3	10	30	120	400	1000	2000
±0,2	±0,3	±0,5	±0,8	±1,2	±2	±3	±4



THIS DRAWING IS THE EXCLUSIVE PROPERTY OF RAM INDUSTRIE (THE COMPANY)
 WITHOUT ANY PRIOR WRITTEN AUTHORIZATION OF THE COMPANY
 THIS DRAWING CANNOT BE USED FOR CONSTRUCTION, NEITHER TRANSFERRED
 TO ANY THIRD PARTY OR EVEN PARTIALLY REPRODUCED.
 THE COMPANY WILL LEGALLY DEFEND ITS OWN RIGHTS

DESIGNED BY A. d'Alesio	CHECKED AND APPROVED BY T. Grassi	GENERAL TOLLERANCE SS-ISO-2768-1M	DATE 18/12/2023	CODE F931000	
		DECRPTION	MATERIAL	UNIT mm	SHEET 2 of 2
		DEVICE	PAIR WEIGHT WITH CARTON	PACKAGING Carton 1 piece	

Property of RAM industrie
 Without its written authorization the present drawing shall neither be used for construction anyway, communicated to third parties, nor reproduced.