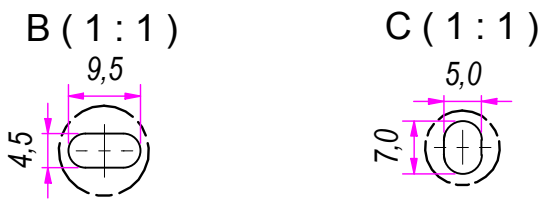
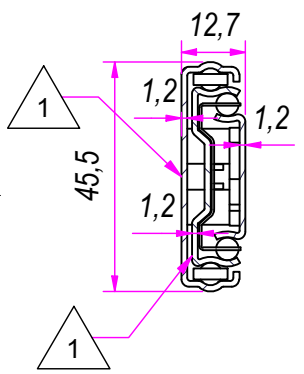


SEZ. A-A

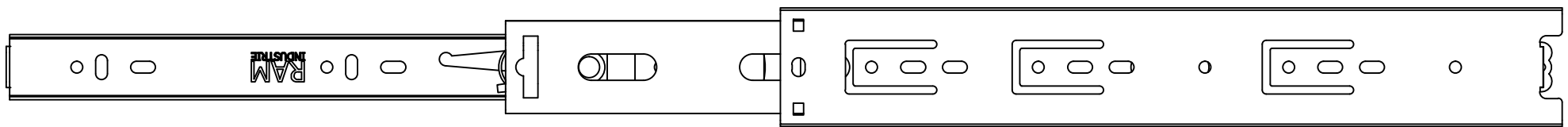


DESIGNED BY F. Dino	CHECKED AND APPROVED BY L. Paleari	GENERAL TOLERANCE SS-ISO-2768-1M	DATE 14/11/2018	CODE G48300
PACKAGING Carton 15 sets/Packed R+R			UNIT mm	SHEET 1 of 2
DESCRIPTION Embossed steel			MATERIAL Cold rolled steel	
DEVICE			PAIR WEIGHT 0,804 Kg	11C

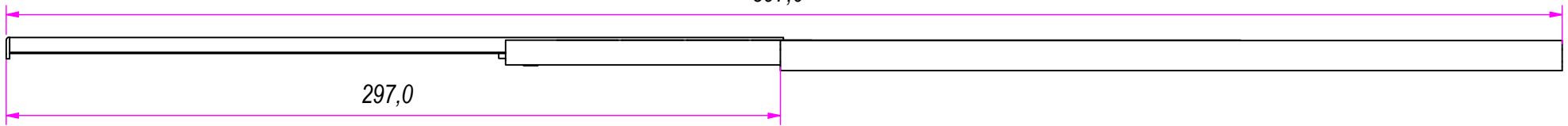


REVISION HISTORY			
REV	DESCRIPTION	DATE	
1	New thickness 1,2x1,2x1,2 (18-23)	14/11/2018	
2	Hole modified with slotted hole (18-23)	14/11/2018	

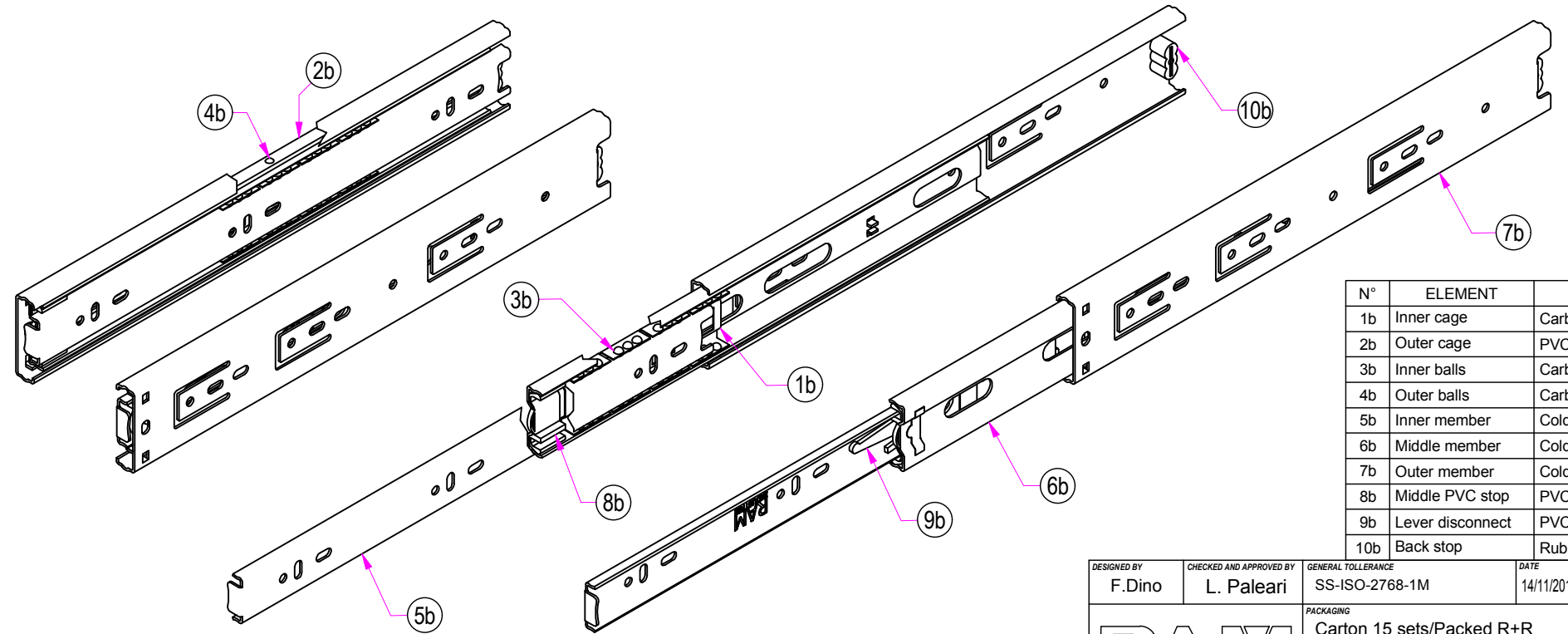
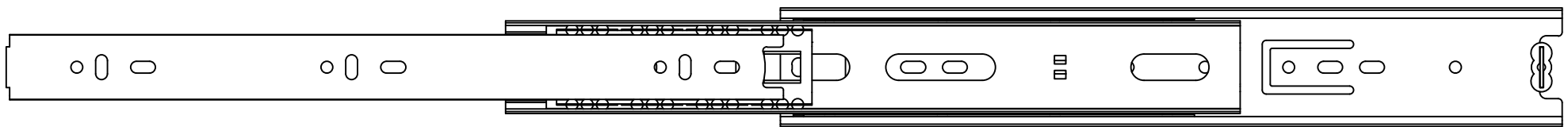
Property of RAM Industrie.  
Without its written authorization the present drawing shall neither be used for construction anyway, communicated to third parties, nor reproduced.



597,0



297,0



N°	ELEMENT	MATERIAL
1b	Inner cage	Carbon steel
2b	Outer cage	PVC
3b	Inner balls	Carbon steel
4b	Outer balls	Carbon steel
5b	Inner member	Cold rolled steel
6b	Middle member	Cold rolled steel
7b	Outer member	Cold rolled steel
8b	Middle PVC stop	PVC
9b	Lever disconnect	PVC
10b	Back stop	Rubber

DESIGNED BY F. Dino	CHECKED AND APPROVED BY L. Paleari	GENERAL TOLERANCE SS-ISO-2768-1M	DATE 14/11/2018	CODE G48300
PACKAGING Carton 15 sets/Packed R+R		UNIT mm	SHEET 2 of 2	
DESCRIPTION Embossed steel		MATERIAL Cold rolled steel		
DEVICE		PAIR WEIGHT 0,804 Kg	11C	

**RAM**  
INDUSTRIE

REVISION HISTORY			
REV	DESCRIPTION	DATE	
1	New thickness 1,2x1,2x1,2 (18-23)	14/11/2018	
2	Hole modified with slotted hole (18-23)	14/11/2018	

Guide per cassetti; guide telescopiche	Coulisses à billes; coulisse télescopique
Drawer slide; telescopic ball bearing slide	Guías para cajones; guía teleópica
Kugelführung; Teleskopschienen	

Property of RAM Industrie.  
Without its written authorization the present drawing shall neither be used for construction anyway, communicated to third parties, nor reproduced.