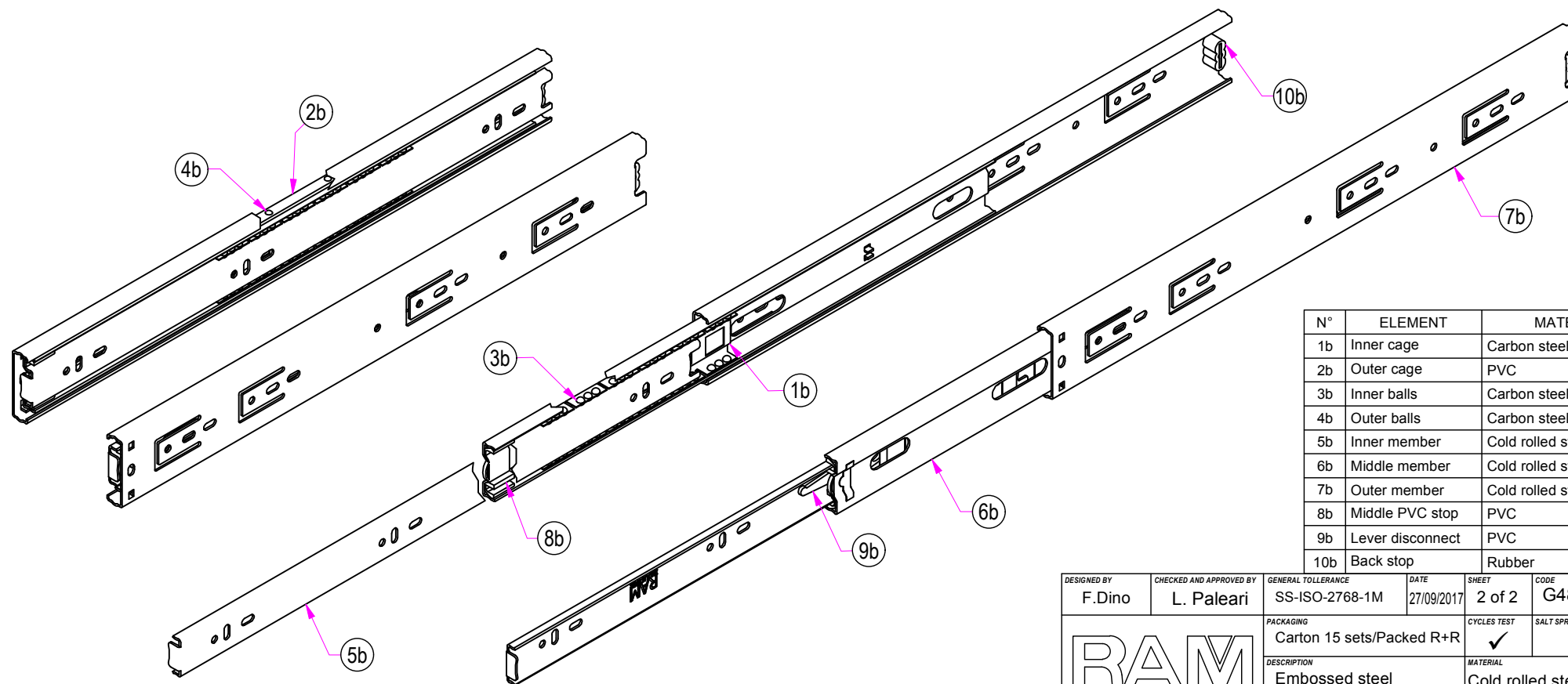
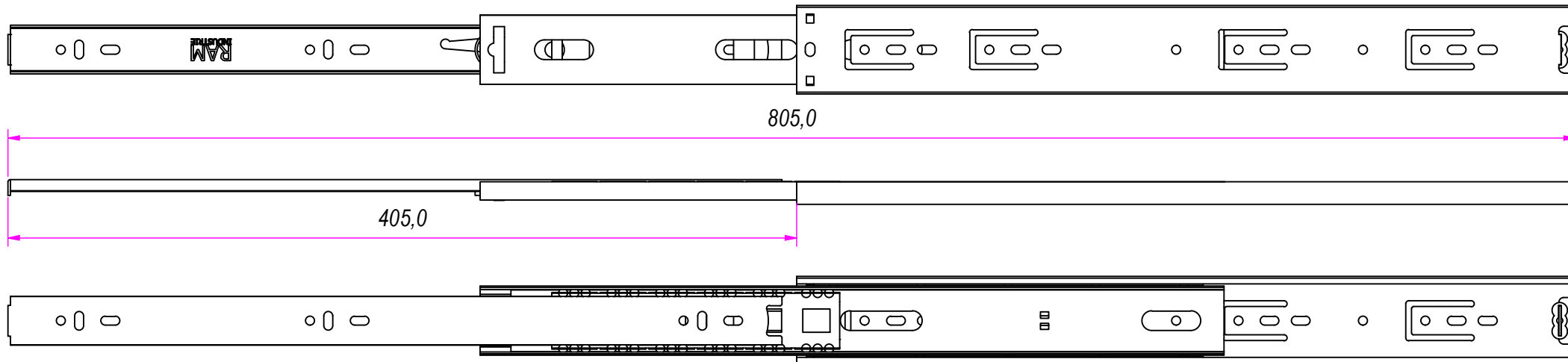


REV	DESCRIPTION	DATE
1	New thickness 1,2x1,2x1,2 (17-15)	01/09/2017
2	Hole modified with slotted hole (17-15)	27/09/2017

DESIGNED BY F. Dino	CHECKED AND APPROVED BY L. Paleari	GENERAL TOLERANCE SS-ISO-2768-1M	DATE 27/09/2017	SHEET 1 of 2	CODE G48400
		PACKAGING Carton 15 sets/Packed R+R	CYCLES TEST ✓	SALT SPRAY TEST ✓	L/O LABEL ✓
		DESCRIPTION Embossed steel	MATERIAL Cold rolled steel		
DEVICE			PAIR WEIGHT 1,094 Kg	UNIT mm	11C
Property of RAM Industrie. Without its written authorization the present drawing shall neither be used for construction anyway, communicated to third parties, nor reproduced.					



N°	ELEMENT	MATERIAL
1b	Inner cage	Carbon steel
2b	Outer cage	PVC
3b	Inner balls	Carbon steel
4b	Outer balls	Carbon steel
5b	Inner member	Cold rolled steel
6b	Middle member	Cold rolled steel
7b	Outer member	Cold rolled steel
8b	Middle PVC stop	PVC
9b	Lever disconnect	PVC
10b	Back stop	Rubber

DESIGNED BY F. Dino	CHECKED AND APPROVED BY L. Paleari	GENERAL TOLERANCE SS-ISO-2768-1M	DATE 27/09/2017	SHEET 2 of 2	CODE G48400
PACKAGING Carton 15 sets/Packed R+R		CYCLES TEST ✓	SALT SPRAY TEST	L/O LABEL ✓	
DESCRIPTION Embossed steel			MATERIAL Cold rolled steel		
DEVICE		PAIR WEIGHT 1,094 Kg	UNIT mm	11C	

RAM
INDUSTRIE

REVISION HISTORY		
REV	DESCRIPTION	DATE
1	New thickness 1,2x1,2x1,2 (17-15)	01/09/2017
2	Hole modified with slotted hole (17-15)	27/09/2017

Guide per cassetti; guide telescopiche	Coulisses à billes; coulisse télescopique
Drawer slide; telescopic ball bearing slide	Guías para cajones; guía teleópica
Kugelführung; Teleskopschienen	

Property of RAM Industrie.
Without its written authorization the present drawing shall neither be used for construction anyway, communicated to third parties, nor reproduced.