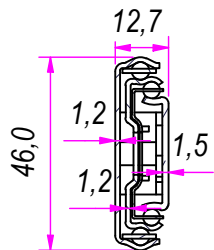
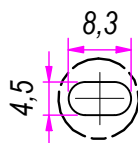


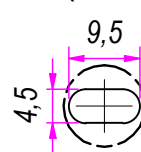
SEZ. A-A



B (1:1)



C (1:1)



DESIGNED BY F. Dino	CHECKED AND APPROVED BY L. Paleari	GENERAL TOLERANCE SS-ISO-2768-1M	DATE 21/04/2016	SHEET 1 of 2	CODE I46500
PACKAGING Carton 10 sets/Packed R+R		CYCLES TEST ✓		SALT SPRAY TEST ✓	
DESCRIPTION			MATERIAL AISI 304 stainless steel		
DEVICE		PAIR WEIGHT 1,474 Kg	UNIT mm	L/O LABEL 01T	

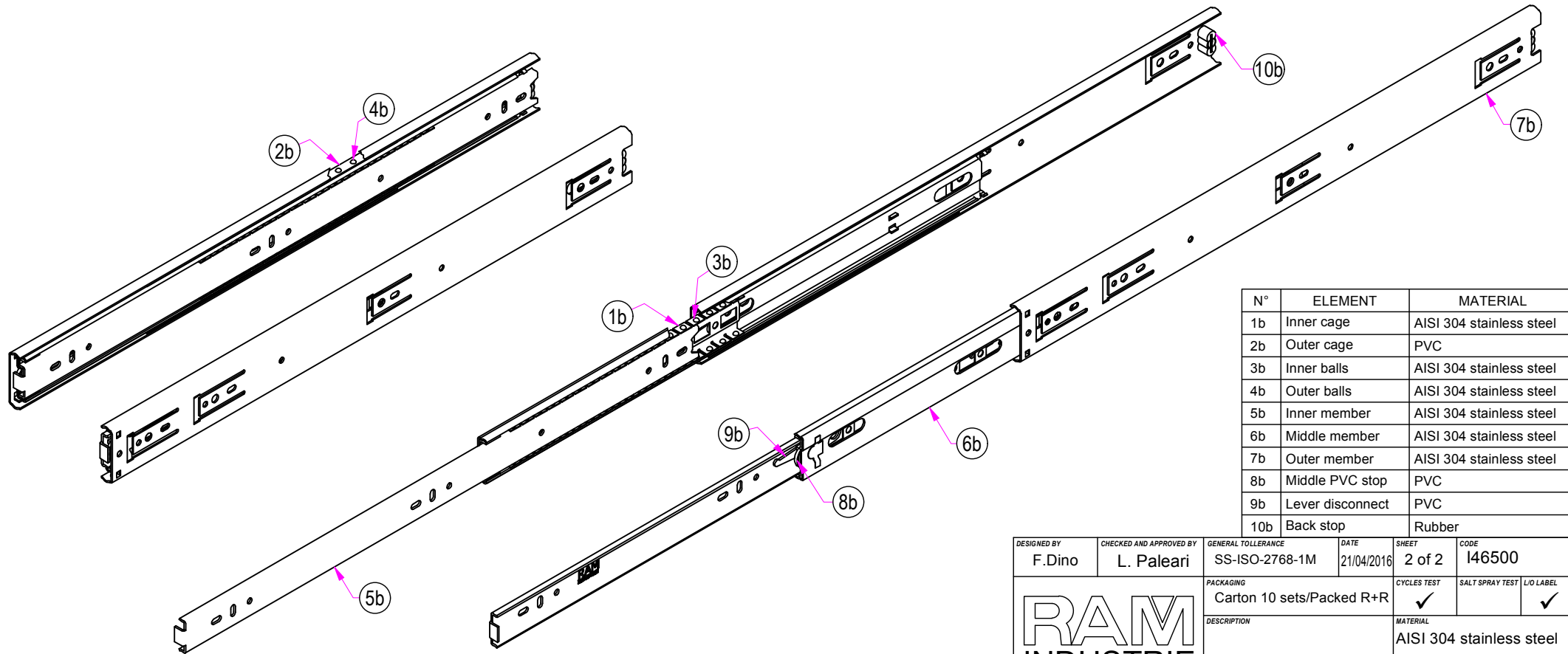
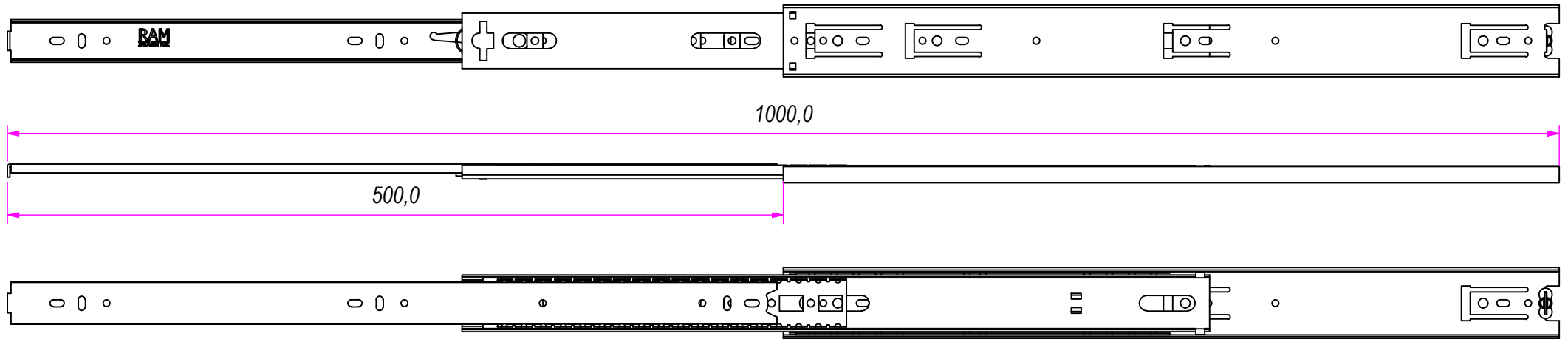
		REVISION HISTORY	
		REV	DESCRIPTION
Guide per cassetti; guide telescopiche	Coulisses à billes; coulisse télescopique		
Drawer slide; telescopic ball bearing slide	Guías para cajones; guía teleópica	1a	
Kugelführung; Teleskopschienen			

DATE
21/04/2016

Without its written authorization the present drawing shall neither be used for construction anyway, communicated to third parties, nor reproduced.

Property of RAM Industrie.

RAM
INDUSTRIE



N°	ELEMENT	MATERIAL
1b	Inner cage	AISI 304 stainless steel
2b	Outer cage	PVC
3b	Inner balls	AISI 304 stainless steel
4b	Outer balls	AISI 304 stainless steel
5b	Inner member	AISI 304 stainless steel
6b	Middle member	AISI 304 stainless steel
7b	Outer member	AISI 304 stainless steel
8b	Middle PVC stop	PVC
9b	Lever disconnect	PVC
10b	Back stop	Rubber

DESIGNED BY F. Dino	CHECKED AND APPROVED BY L. Paleari	GENERAL TOLERANCE SS-ISO-2768-1M	DATE 21/04/2016	SHEET 2 of 2	CODE I46500
PACKAGING Carton 10 sets/Packed R+R		CYCLES TEST ✓	SALT SPRAY TEST ✓	L/O LABEL ✓	
DESCRIPTION RAM INDUSTRIE			MATERIAL AISI 304 stainless steel		
DEVICE		PAIR WEIGHT 1,474 Kg	UNIT mm	O1T	

Guide per cassetti; guide telescopiche	Coulisses à billes; coulisse télescopique	REVISION HISTORY	
Drawer slide; telescopic ball bearing slide	Guías para cajones; guía teleópica	REV	DESCRIPTION
Kugelführung; Teleskopschienen		1a	DATE 21/04/2016

Property of RAM Industrie.
Without its written authorization the present drawing shall neither be used for construction anyway, communicated to third parties, nor reproduced.