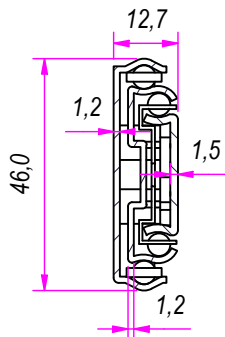
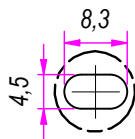


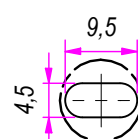
SEZ. A-A



B (1:1)



C (1:1)

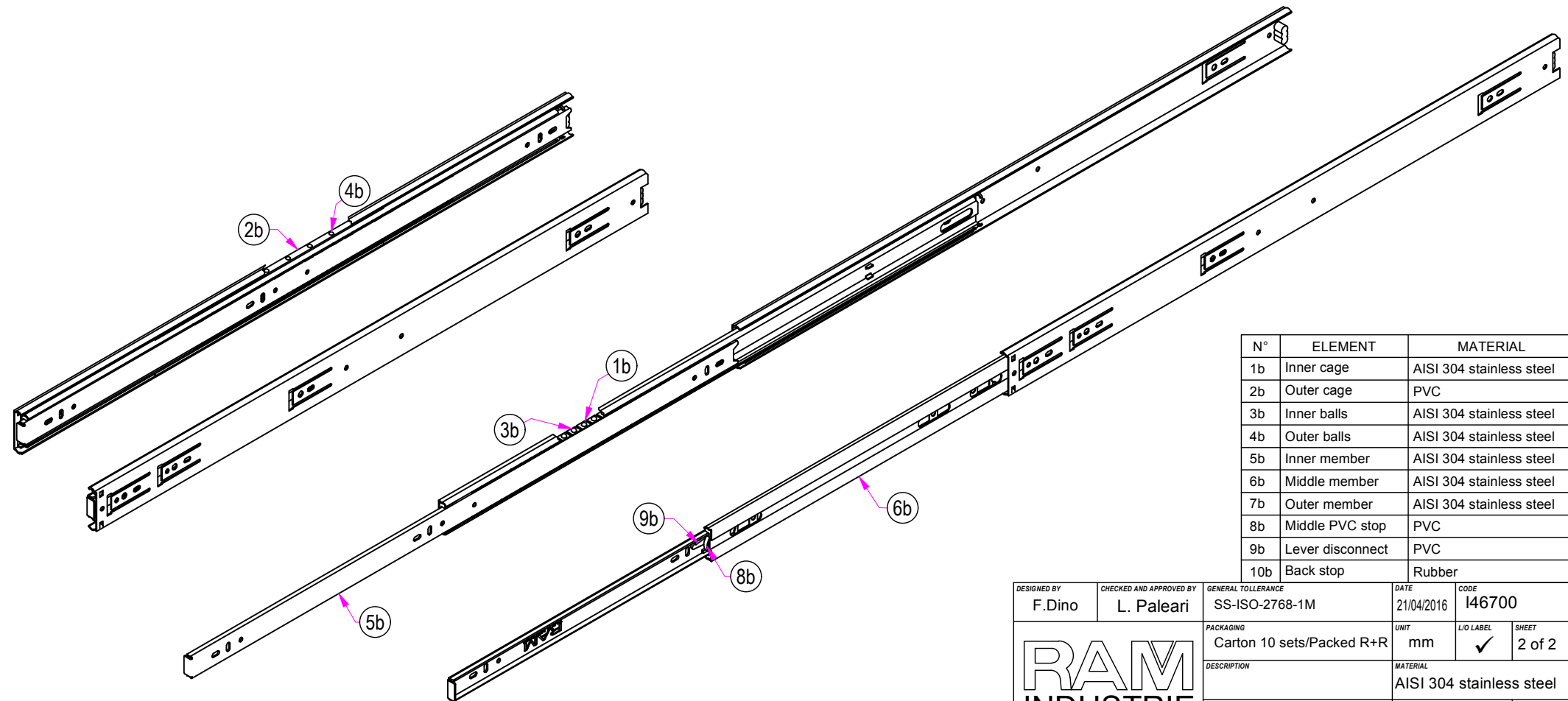
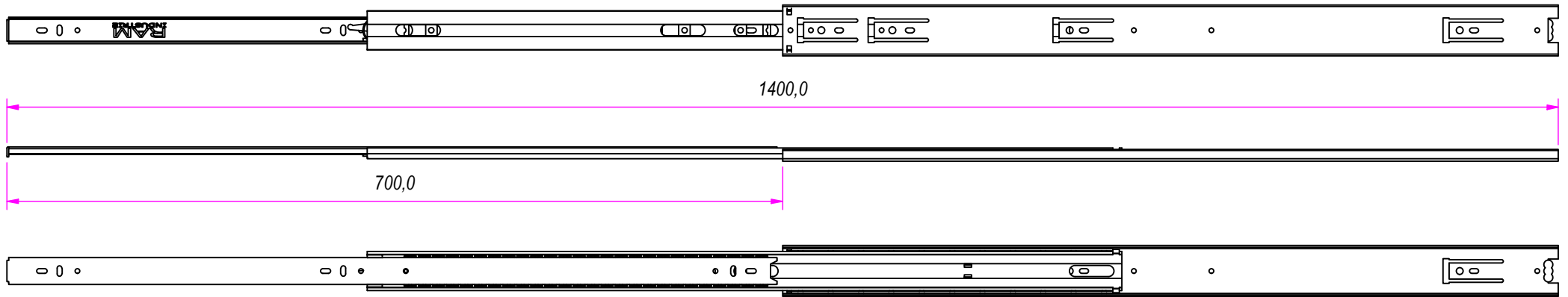


Guide per cassetti; guide telescopiche	Coulisses à billes; coulisse télescopique
Drawer slide; telescopic ball bearing slide	Guías para cajones; guía teleópica
Kugelführung; Teleskopschienen	

REVISION HISTORY	
REV	DESCRIPTION
1a	

DESIGNED BY F.Dino	CHECKED AND APPROVED BY L. Paleari	GENERAL TOLERANCE SS-ISO-2768-1M	DATE 21/04/2016	CODE I46700
		PACKAGING Carton 10 sets/Packed R+R	UNIT mm	L/O LABEL ✓
		DESCRIPTION	MATERIAL AISI 304 stainless steel	
		DEVICE	PAIR WEIGHT 2,092 Kg	01T

Property of RAM Industrie.
Without its written authorization the present drawing shall neither be used for construction anyway, communicated to third parties, nor reproduced.



N°	ELEMENT	MATERIAL
1b	Inner cage	AISI 304 stainless steel
2b	Outer cage	PVC
3b	Inner balls	AISI 304 stainless steel
4b	Outer balls	AISI 304 stainless steel
5b	Inner member	AISI 304 stainless steel
6b	Middle member	AISI 304 stainless steel
7b	Outer member	AISI 304 stainless steel
8b	Middle PVC stop	PVC
9b	Lever disconnect	PVC
10b	Back stop	Rubber

DESIGNED BY F. Dino	CHECKED AND APPROVED BY L. Paleari	GENERAL TOLLERANCE SS-ISO-2768-1M	DATE 21/04/2016	CODE I46700
PACKAGING Carton 10 sets/Packed R+R		UNIT mm	L/O LABEL ✓	SHEET 2 of 2
DESCRIPTION DEVICE			MATERIAL AISI 304 stainless steel	
			PAIR WEIGHT 2,092 Kg	01T

RAM
INDUSTRIE

GUIDE PER CASSETTI; GUIDE TELESCOPICHE	COULISSES À BILLES; COULISSE TÉLESCOPIQUE	REVISION HISTORY	
DRAWER SLIDE; TELESCOPIC BALL BEARING SLIDE	GUÍAS PARA CAJONES; GUÍA TELEÓPICA	REV	DESCRIPTION
Kugelführung; Teleskopschienen		1a	
			DATE
			21/04/2016

Property of RAM Industrie.
Without its written authorization the present drawing shall neither be used for construction anyway, communicated to third parties, nor reproduced.