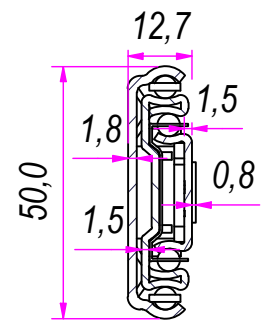
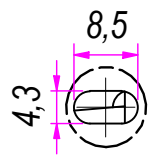


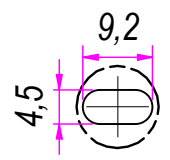
SEZ. A-A



B (1:1)



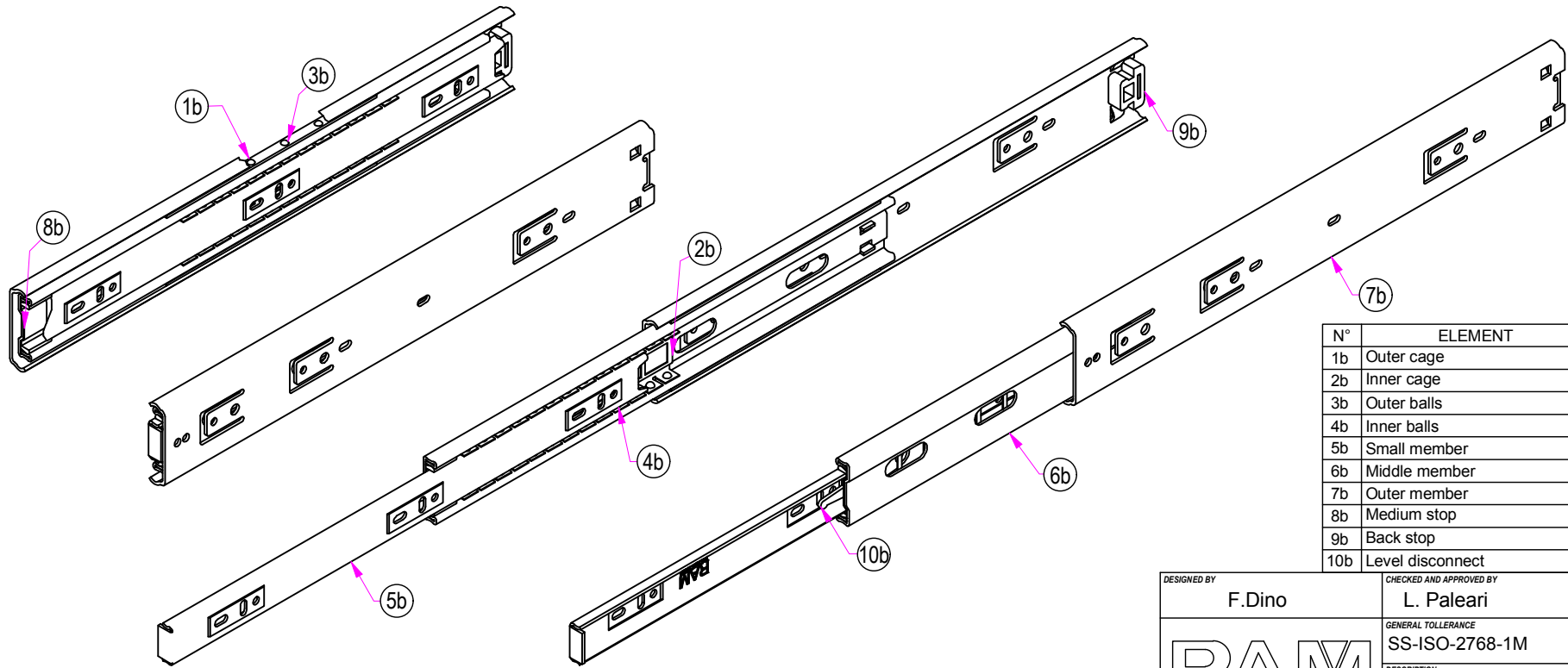
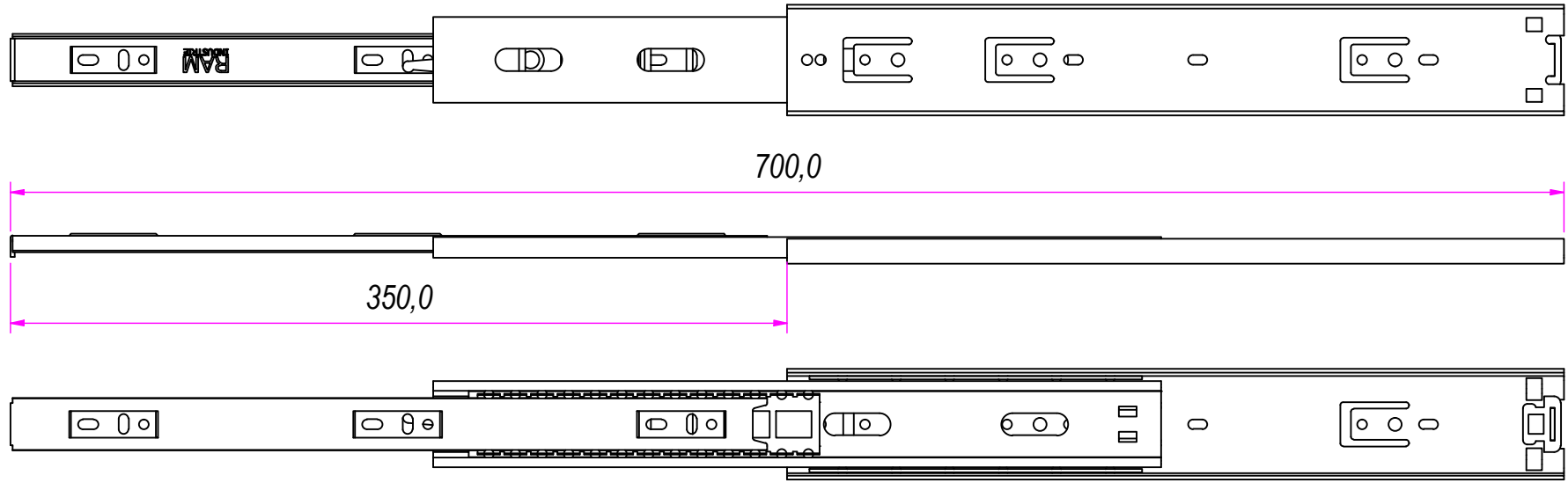
C (1:1)



Guide per cassetti; guide telescopiche	Coulisses à billes; coulisse télescopique	
Drawer slide; telescopic ball bearing slide	Guías para cajones; guía teleópica	REV
Kugelführung; Teleskopschienen		1a

REVISION HISTORY		
REV	DESCRIPTION	DATE
1a		22/11/2019

DESIGNED BY F.Dino	CHECKED AND APPROVED BY L. Paleari	DATE 19/11/2019	CODE I51350
		GENERAL TOLLERANCE SS-ISO-2768-1M	UNIT mm
		DESCRIPTION	MATERIAL Stainless steel
		DEVICE	PAIR WEIGHT 02C
Property of RAM Industrie. Without its written authorization the present drawing shall neither be used for construction anyway, communicated to third parties, nor reproduced.			



N°	ELEMENT	MATERIAL
1b	Outer cage	PVC
2b	Inner cage	AISI 201 stainless steel
3b	Outer balls	AISI 304 stainless steel
4b	Inner balls	AISI 304 stainless steel
5b	Small member	AISI 316 stainless steel
6b	Middle member	AISI 316 stainless steel
7b	Outer member	AISI 316 stainless steel
8b	Medium stop	PVC
9b	Back stop	Rubber
10b	Level disconnect	PVC

DESIGNED BY <b>F.Dino</b>	CHECKED AND APPROVED BY <b>L. Paleari</b>	DATE 19/11/2019	CODE I51350
GENERAL TOLLERANCE SS-ISO-2768-1M		UNIT mm	SCALE SHEET 2 of 2
DESCRIPTION <b>RAM INDUSTRIE</b>		MATERIAL Stainless steel	
DEVICE		PAIR WEIGHT 02C	

Guide per cassetti; guide telescopiche	Coulisses à billes; coulisse télescopiche	REVISION HISTORY	
Drawer slide; telescopic ball bearing slide	Guías para cajones; guía teleópica	REV	DESCRIPTION
Kugelführung; Teleskopschienen		1a	DATE 22/11/2019

Property of RAM Industrie.  
Without its written authorization the present drawing shall neither be used for construction anyway, communicated to third parties, nor reproduced.