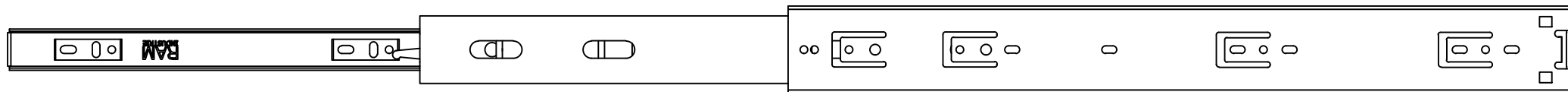
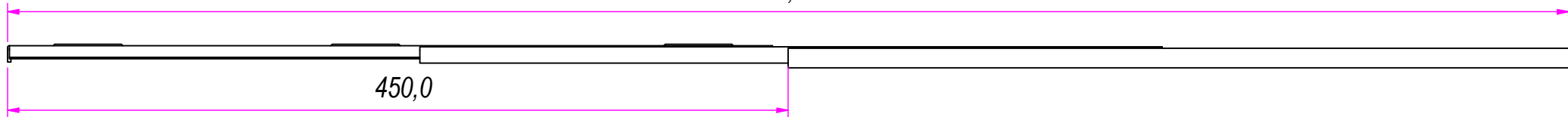


		REVISION HISTORY		
		REV	DESCRIPTION	DATE
Guide per cassetti; guide telescopiche	Coulisses à billes; coulisse télescopique	1a	Raising the holes	30/08/2017
Drawer slide; telescopic ball bearing slide	Guías para cajones; guía teleópica	2a	Added hole (19-09)	25/11/2019
Kugelführung; Teleskopschienen				

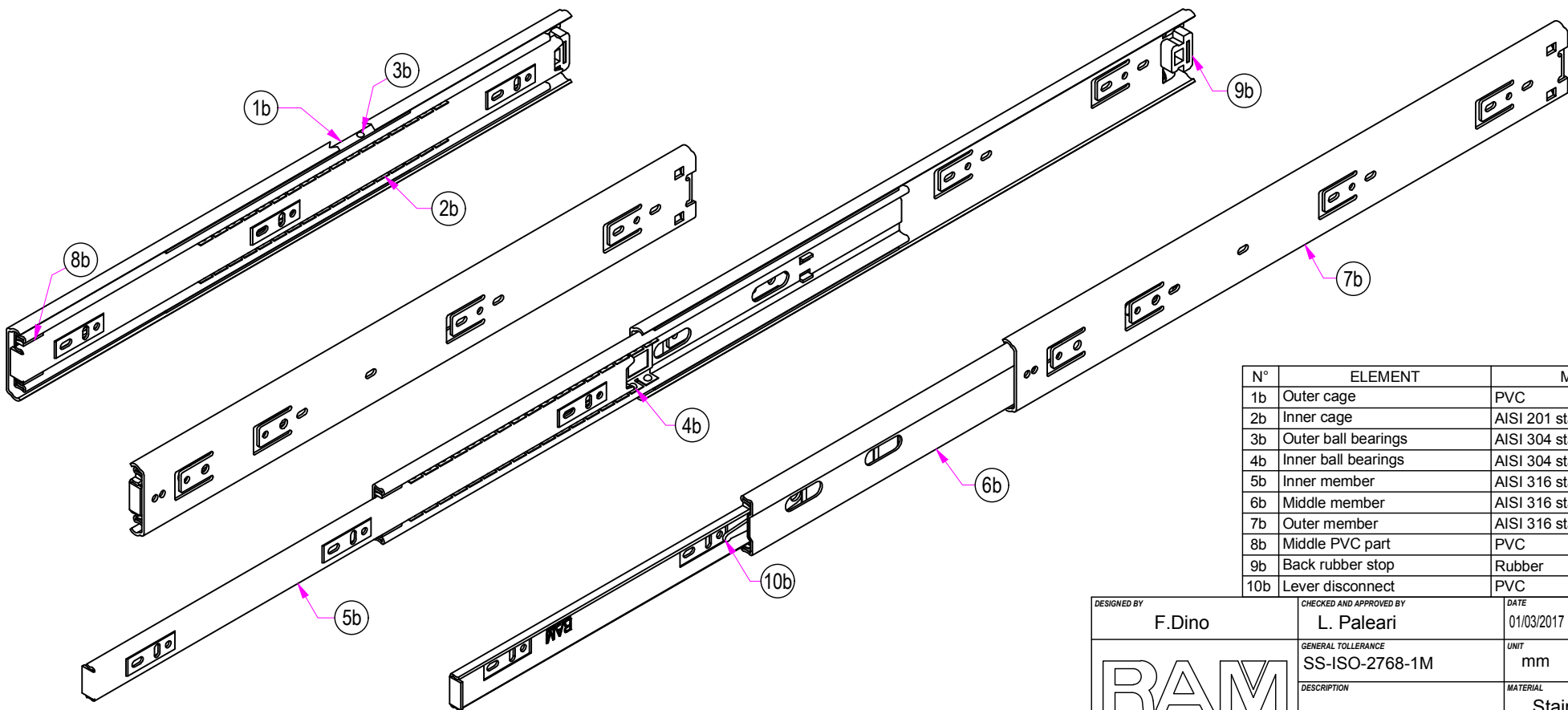
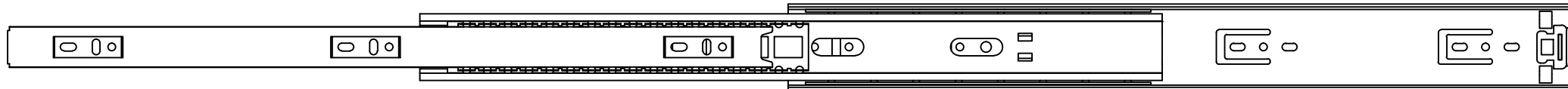
DESIGNED BY F.Dino	CHECKED AND APPROVED BY L. Paleari	DATE 01/03/2017	CODE I51450
		GENERAL TOLLERANCE SS-ISO-2768-1M	UNIT mm
		DESCRIPTION	MATERIAL Stainless steel
		DEVICE	PAIR WEIGHT 1,824 Kg
			SHEET 1 of 2
<small>Property of RAM Industrie. Without its written authorization the present drawing shall neither be used for construction anyway, communicated to third parties, nor reproduced.</small>			



900,0



450,0



N°	ELEMENT	MATERIAL
1b	Outer cage	PVC
2b	Inner cage	AISI 201 stainless steel
3b	Outer ball bearings	AISI 304 stainless steel
4b	Inner ball bearings	AISI 304 stainless steel
5b	Inner member	AISI 316 stainless steel
6b	Middle member	AISI 316 stainless steel
7b	Outer member	AISI 316 stainless steel
8b	Middle PVC part	PVC
9b	Back rubber stop	Rubber
10b	Lever disconnect	PVC

DESIGNED BY F.Dino	CHECKED AND APPROVED BY L. Paleari	DATE 01/03/2017	CODE I51450
GENERAL TOLLERANCE SS-ISO-2768-1M		UNIT mm	SCALE SHEET 2 of 2
DESCRIPTION RAM INDUSTRIE		MATERIAL Stainless steel	
DEVICE		PAIR WEIGHT 1,824 Kg	02C

REVISION HISTORY			
REV	DESCRIPTION	DATE	
1a	Raising the holes	30/08/2017	
2a	Added hole (19-09)	25/11/2019	

Guide per cassetti; guide telescopica	Coulisses à billes; coulisse télescopique
Drawer slide; telescopic ball bearing slide	Guías para cajones; guía teleópica
Kugelführung; Teleskopschienen	

Property of RAM Industrie.
Without its written authorization the present drawing shall neither be used for construction anyway, communicated to third parties, nor reproduced.