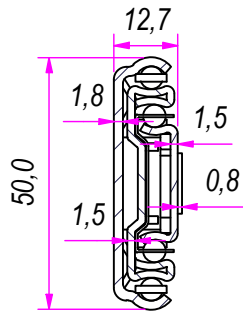
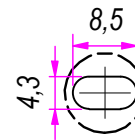


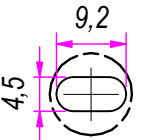
SEZ. A-A



B (1:1)



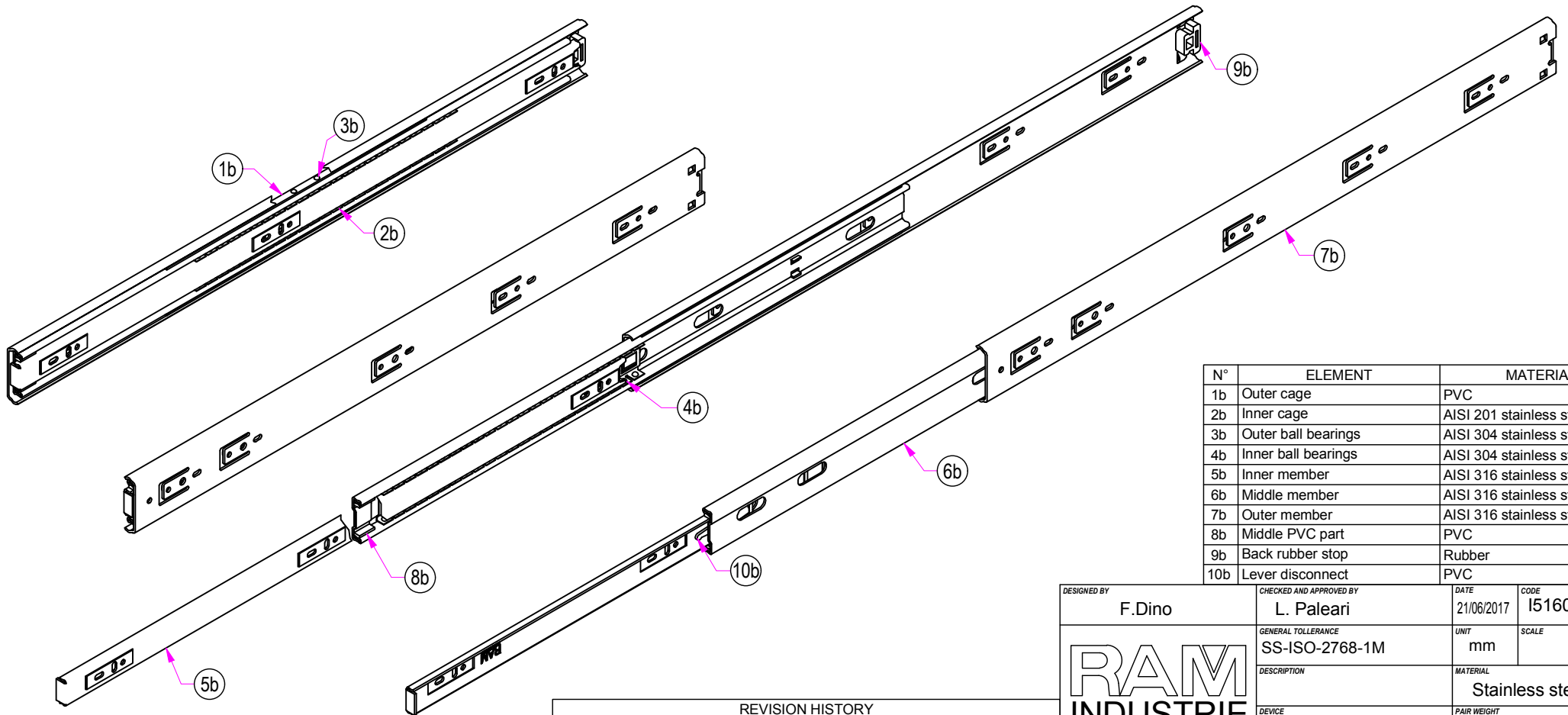
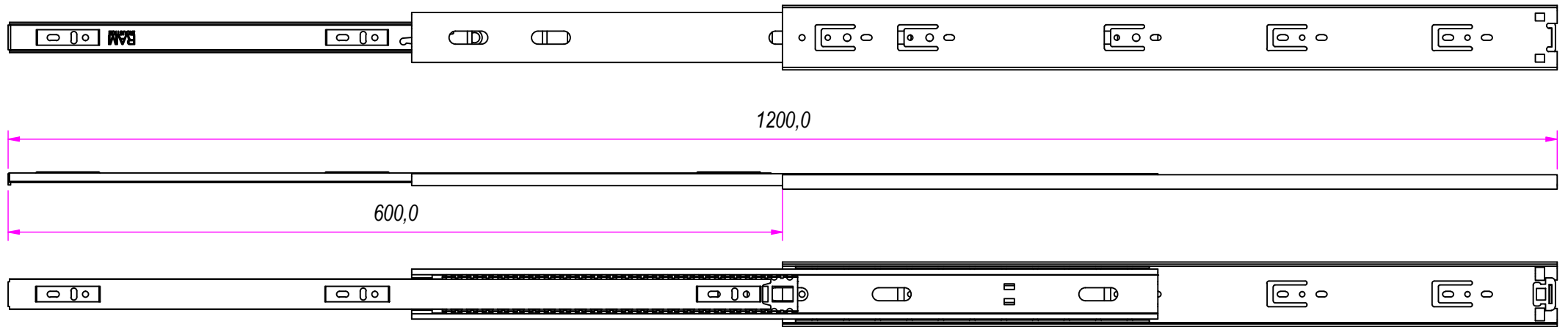
C (1:1)



DESIGNED BY F.Dino	CHECKED AND APPROVED BY L. Paleari	DATE 21/06/2017	CODE I51600
RAM INDUSTRIE	GENERAL TOLLERANCE SS-ISO-2768-1M	UNIT mm	SCALE 1 of 2
	DESCRIPTION	MATERIAL Stainless steel	
	DEVICE	PAIR WEIGHT 2,46 Kg	02C

REVISION HISTORY			
REV	DESCRIPTION	DATE	
1a	Raising the holes	30/08/2017	
2a	Added slotted hole (18-12)	21/06/2017	

Property of RAM Industrie.
Without its written authorization the present drawing shall neither be used for construction anyway, communicated to third parties, nor reproduced.



N°	ELEMENT	MATERIAL
1b	Outer cage	PVC
2b	Inner cage	AISI 201 stainless steel
3b	Outer ball bearings	AISI 304 stainless steel
4b	Inner ball bearings	AISI 304 stainless steel
5b	Inner member	AISI 316 stainless steel
6b	Middle member	AISI 316 stainless steel
7b	Outer member	AISI 316 stainless steel
8b	Middle PVC part	PVC
9b	Back rubber stop	Rubber
10b	Lever disconnect	PVC

DESIGNED BY F.Dino	CHECKED AND APPROVED BY L. Paleari	DATE 21/06/2017	CODE I51600	
		GENERAL TOLLERANCE SS-ISO-2768-1M	UNIT mm	SCALE SHEET 2 of 2
		DESCRIPTION	MATERIAL Stainless steel	
DEVICE		PAIR WEIGHT 2,46 Kg	02C	

REV	DESCRIPTION	DATE
1a	Raising the holes	30/08/2017
2a	Added slotted hole (18-12)	21/06/2017

Guide per cassetti; guide telescopiche	Coulisses à billes; coulisse télescopique
Drawer slide; telescopic ball bearing slide	Guías para cajones; guía teleópica
Kugelführung; Teleskopschienen	

Property of RAM Industrie.
Without its written authorization the present drawing shall neither be used for construction anyway, communicated to third parties, nor reproduced.