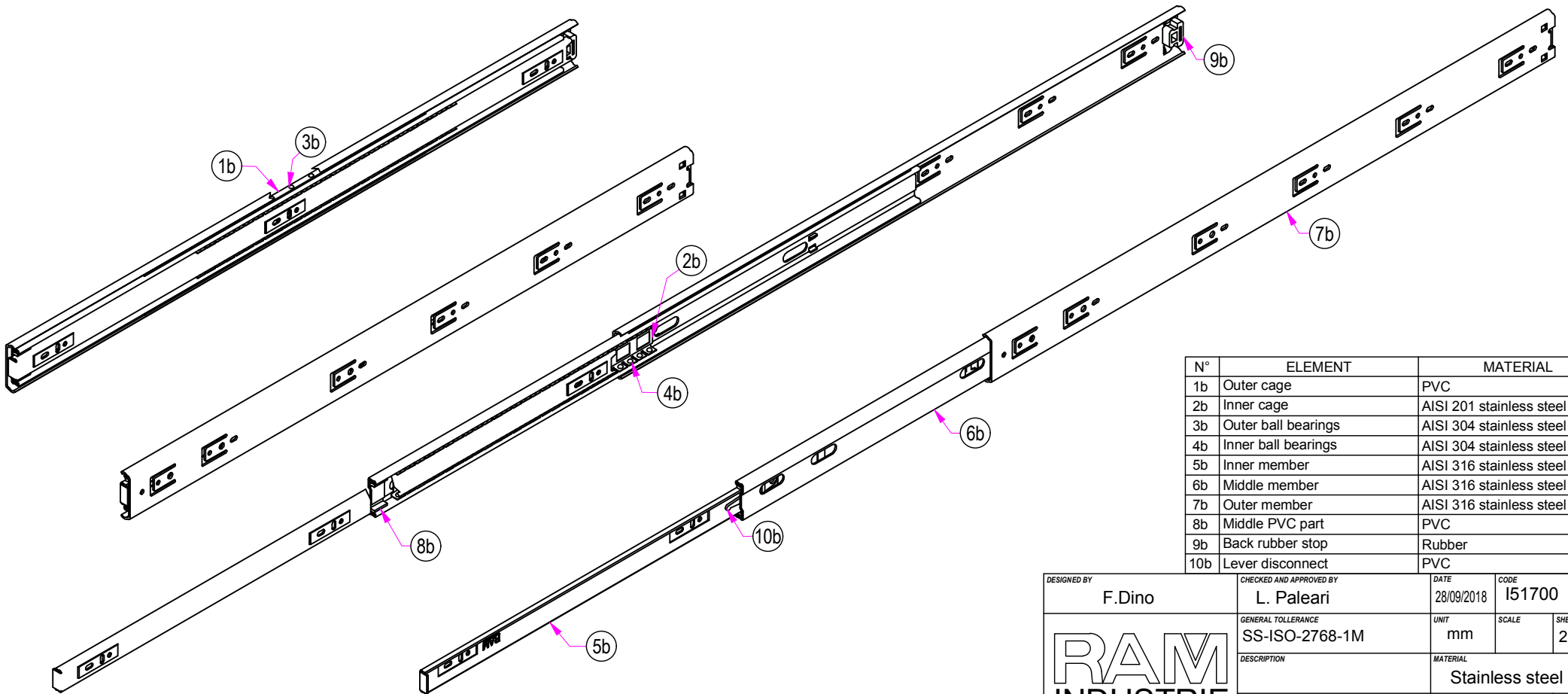
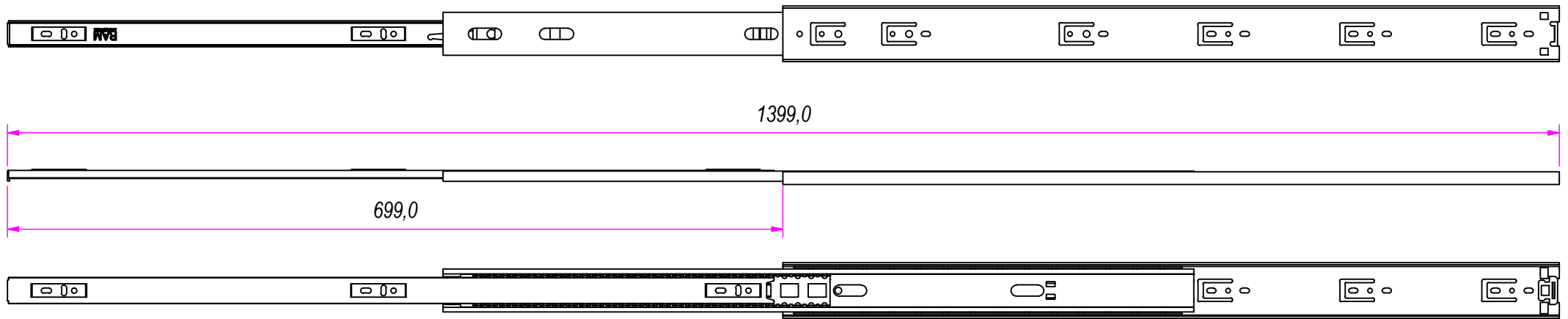


DESIGNED BY F.Dino	CHECKED AND APPROVED BY L. Paleari	DATE 28/09/2018	CODE I51700
RAM INDUSTRIE	GENERAL TOLLERANCE SS-ISO-2768-1M	UNIT mm	SCALE 1 of 2
	DESCRIPTION	MATERIAL Stainless steel	
	DEVICE	PAIR WEIGHT 2,902 Kg	02C
Property of RAM Industrie. Without its written authorization the present drawing shall neither be used for construction anyway, communicated to third parties, nor reproduced.			

Guide per cassetti; guide telescopiche	Coulisses à billes; coulisse télescopique	REVISION HISTORY		
Drawer slide; telescopic ball bearing slide	Guías para cajones; guía teleópica	REV	DESCRIPTION	DATE
Kugelführung; Teleskopschienen		1a		30/08/2017



N°	ELEMENT	MATERIAL
1b	Outer cage	PVC
2b	Inner cage	AISI 201 stainless steel
3b	Outer ball bearings	AISI 304 stainless steel
4b	Inner ball bearings	AISI 304 stainless steel
5b	Inner member	AISI 316 stainless steel
6b	Middle member	AISI 316 stainless steel
7b	Outer member	AISI 316 stainless steel
8b	Middle PVC part	PVC
9b	Back rubber stop	Rubber
10b	Lever disconnect	PVC

DESIGNED BY F.Dino	CHECKED AND APPROVED BY L. Paleari	DATE 28/09/2018	CODE I51700
GENERAL TOLLERANCE SS-ISO-2768-1M		UNIT mm	SCALE SHEET 2 of 2
DESCRIPTION RAM INDUSTRIE		MATERIAL Stainless steel	
DEVICE		PAIR WEIGHT 2,902 Kg	02C

		REVISION HISTORY	
		DESCRIPTION	DATE
Guide per cassetti; guide telescopiche	Coulisses à billes; coulisse télescopique		
Drawer slide; telescopic ball bearing slide	Guías para cajones; guía teleópica	REV	
Kugelführung; Teleskopschienen		1a	30/08/2017

Property of RAM Industrie.
Without its written authorization the present drawing shall neither be used for construction anyway, communicated to third parties, nor reproduced.