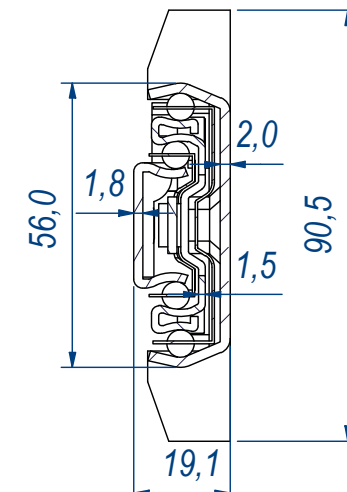


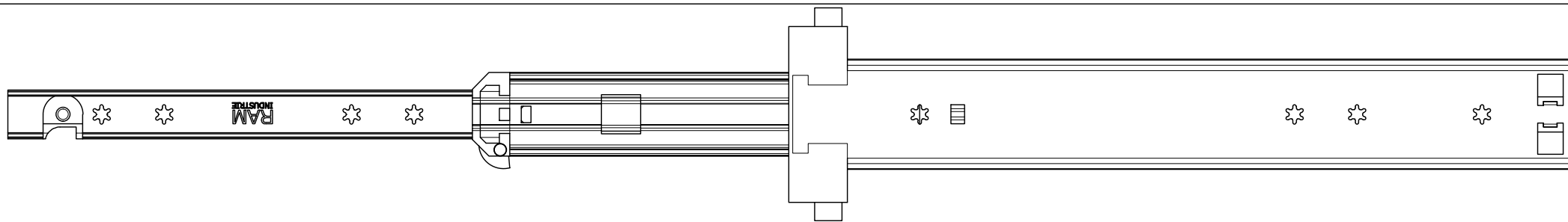
SEZ. A-A



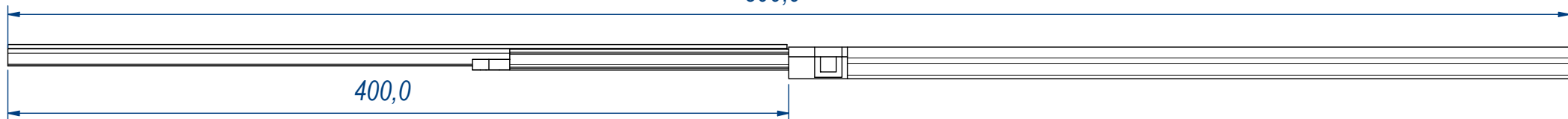
REVISION HISTORY			
REV	DESCRIPTION	APPROVED BY	DATE
1	Eliminated holes (21-36)	F.Dino	02/08/2021

DESIGNED BY F.Dino	CHECKED AND APPROVED BY L. Paleari	REVISION	DATE 31/03/2016	CODE IL60400
		GENERAL TOLERANCE SS-ISO-2768-1M	UNIT mm	SCALE SHEET 1 of 2
		DESCRIPTION	MATERIAL Cold rolled steel	
DEVICE Front interlock function		PAIR WEIGHT 2,244 Kg	01T	

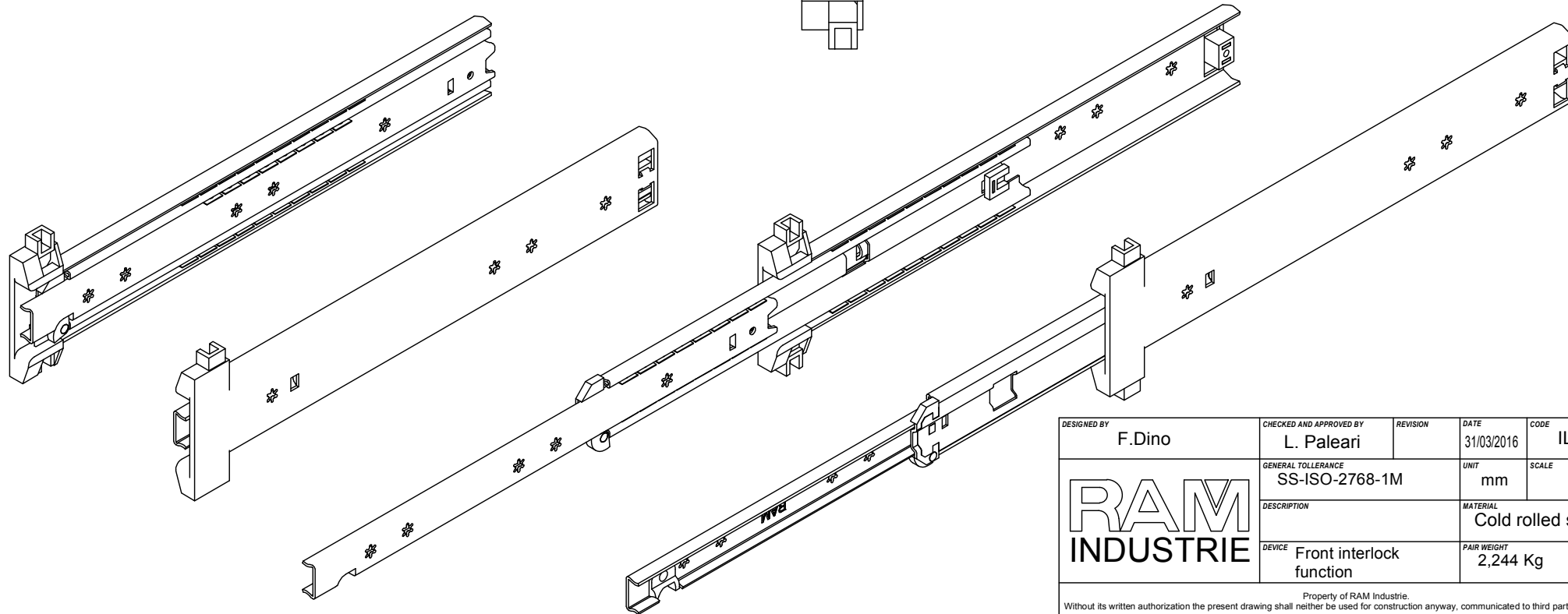
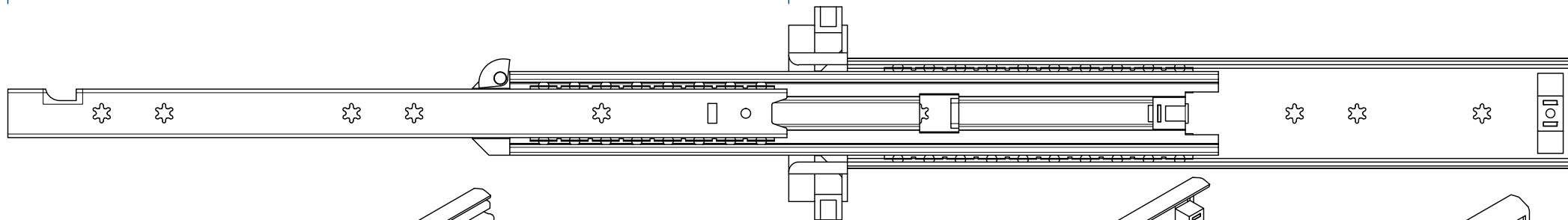
Property of RAM Industrie.
Without its written authorization the present drawing shall neither be used for construction anyway, communicated to third parties, nor reproduced.




800,0



400,0



DESIGNED BY F.Dino	CHECKED AND APPROVED BY L. Paleari	REVISION	DATE 31/03/2016	CODE IL60400
		GENERAL TOLLERANCE SS-ISO-2768-1M	UNIT mm	SCALE SHEET 2 of 2
		DESCRIPTION	MATERIAL Cold rolled steel	
DEVICE Front interlock function		PAIR WEIGHT 2,244 Kg	01T	

Property of RAM Industrie.
Without its written authorization the present drawing shall neither be used for construction anyway, communicated to third parties, nor reproduced.