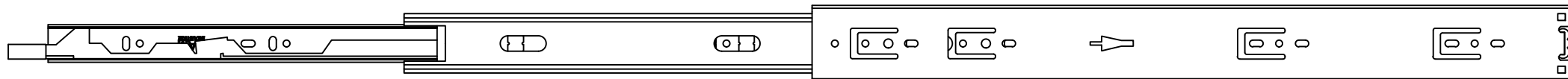


Guide per cassetti; guide telescopiche	Coulisses à billes; coulisse télescopique	
Drawer slide; telescopic ball bearing slide	Guías para cajones; guía teleópica	REV
Kugelführung; Teleskopschienen		1a

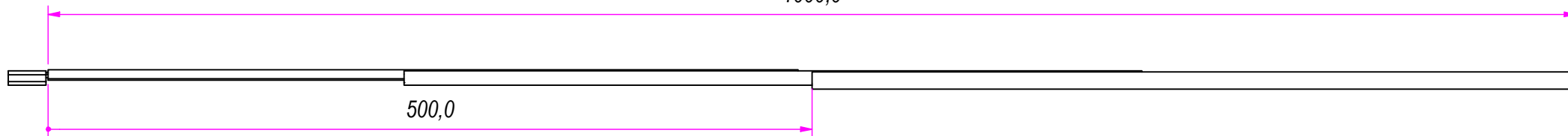
REVISION HISTORY	
DESCRIPTION	DATE
	10/05/2018

DESIGNED BY F.Dino	CHECKED AND APPROVED BY L. Paleari	GENERAL TOLERANCE SS-ISO-2768-1M	DATE 10/05/2018	CODE LE51500
PACKAGING 10 Carton/Packed R+L			UNIT mm	SHEET 1 of 2
DESCRIPTION Lock-in & lock-out			MATERIAL Cold rolled steel	
			PAIR WEIGHT 2,592 Kg	02C
Property of RAM Industrie. Without its written authorization the present drawing shall neither be used for construction anyway, communicated to third parties, nor reproduced.				

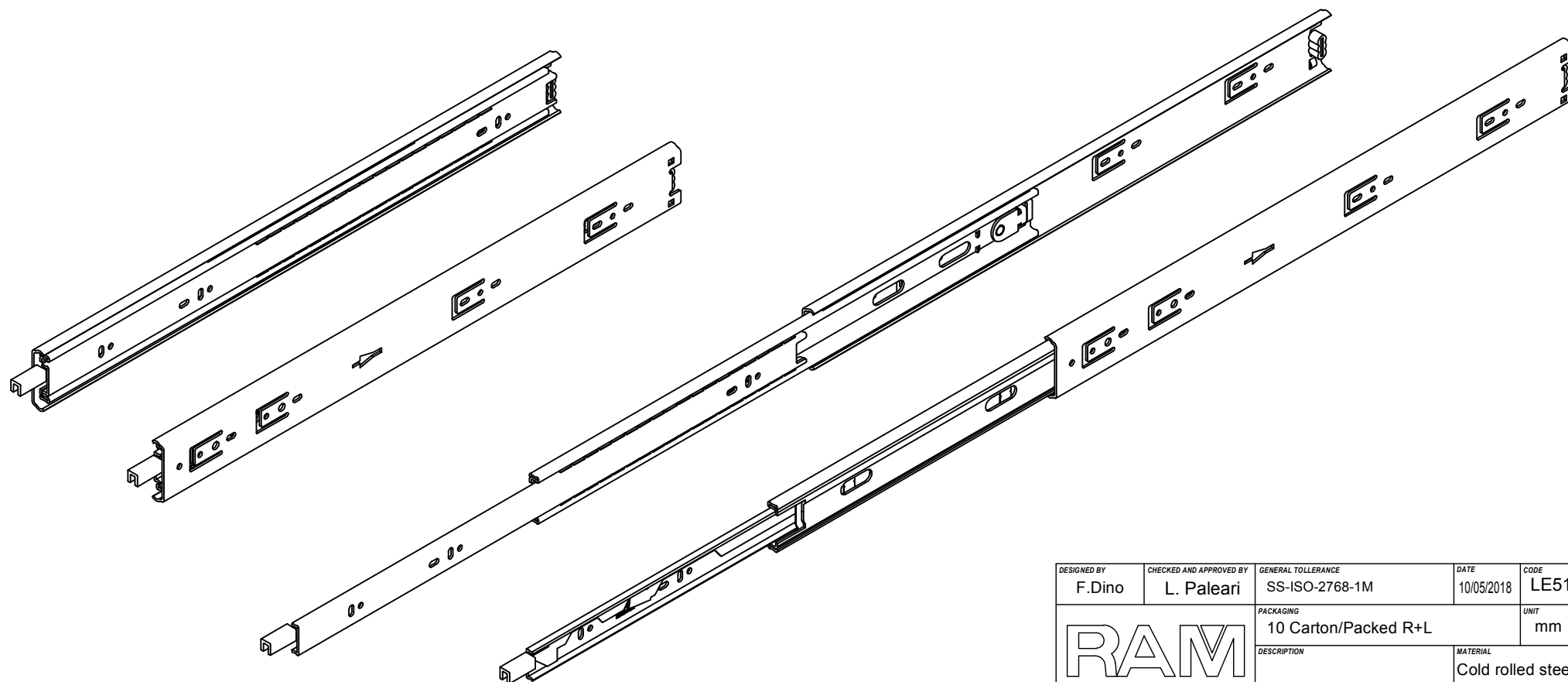
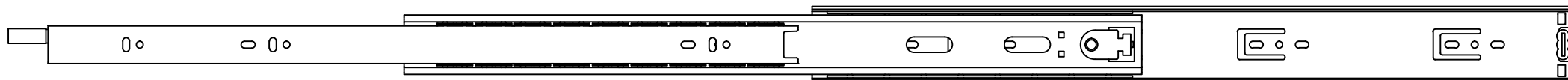




1000,0



500,0



DESIGNED BY F. Dino	CHECKED AND APPROVED BY L. Paleari	GENERAL TOLERANCE SS-ISO-2768-1M	DATE 10/05/2018	CODE LE51500
PACKAGING 10 Carton/Packed R+L			UNIT mm	SHEET 2 of 2
DESCRIPTION Lock-in & lock-out			MATERIAL Cold rolled steel	
			PAIR WEIGHT 2,592 Kg	02C

**RAM**  
**INDUSTRIE**

		REVISION HISTORY		
		REV	DESCRIPTION	DATE
Guide per cassetti; guide telescopiche	Coulisses à billes; coulisse télescopique	1a		10/05/2018
Drawer slide; telescopic ball bearing slide	Guías para cajones; guía teleópica			
Kugelführung; Teleskopschienen				

Property of RAM Industrie.  
Without its written authorization the present drawing shall neither be used for construction anyway, communicated to third parties, nor reproduced.