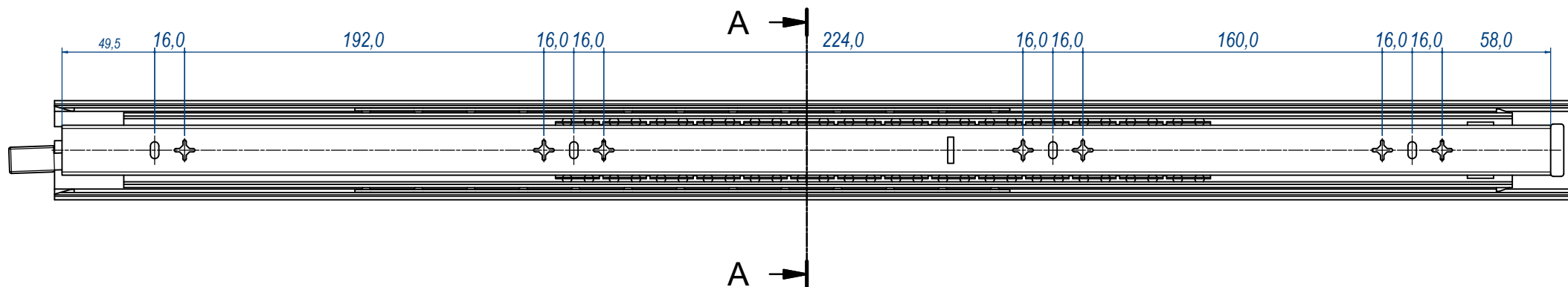
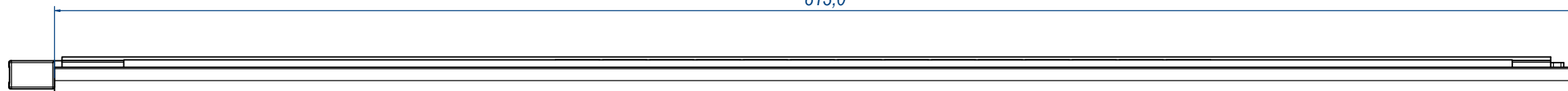
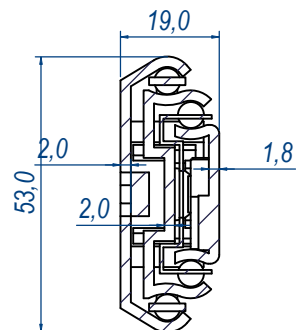


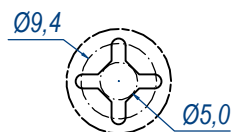
813,0



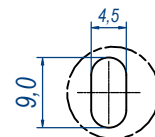
SEZ. A-A



B (1:1)

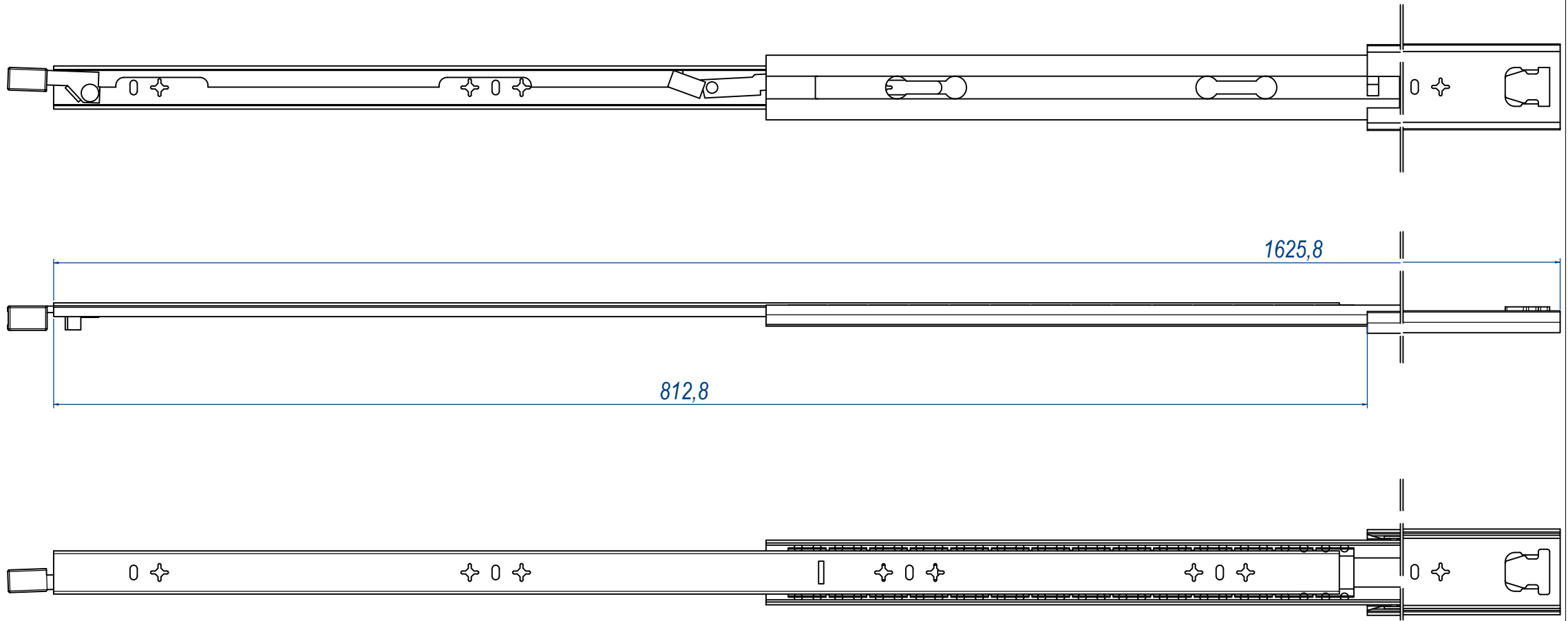


C (1:1)



| | | | | |
|--------------------------------|--------------------------------------|--------------------------------------|-------------------------|-----------------|
| DESIGNED BY A. d'Alesio | CHECKED AND APPROVED BY T. Grassi | GENERAL TOLLERANCE SS-ISO-2768-1M | DATE 24/11/2023 | CODE LE58800 |
| RAM INDUSTRIE | | DESCRIPTION | MATERIAL | UNIT mm |
| | | DEVIATION | PAIR WEIGHT WITH CARTON | SHEET 1 of 2 |
| | | | PACKAGING | Carton 1 piece |

Property of RAM Industrie
Without its written authorization the present drawing shall neither be used for construction anyway, communicated to third parties, nor reproduced.



| | | | | |
|--------------------------------|--------------------------------------|--------------------------------------|-------------------------|-----------------|
| DESIGNED BY A. d'Alesio | CHECKED AND APPROVED BY T. Grassi | GENERAL TOLLERANCE SS-ISO-2768-1M | DATE 24/11/2023 | CODE LE58800 |
| RAM INDUSTRIE | | DESCRIPTION | MATERIAL | UNIT mm |
| | | DEVICE | PAIR WEIGHT WITH CARTON | SHEET 2 of 2 |
| | | | PACKAGING | Carton 1 piece |

Property of RAM Industrie
Without its written authorization the present drawing shall neither be used for construction anyway, communicated to third parties, nor reproduced.