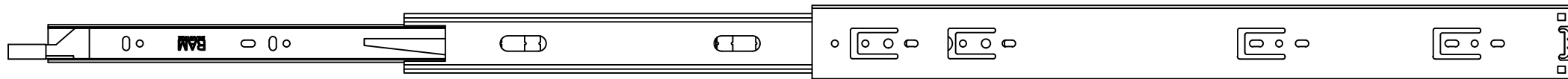


Guide per cassetti; guide telescopiche	Coulisses à billes; coulisse télescopique
Drawer slide; telescopic ball bearing slide	Guías para cajones; guía teleópica
Kugelführung; Teleskopschienen	

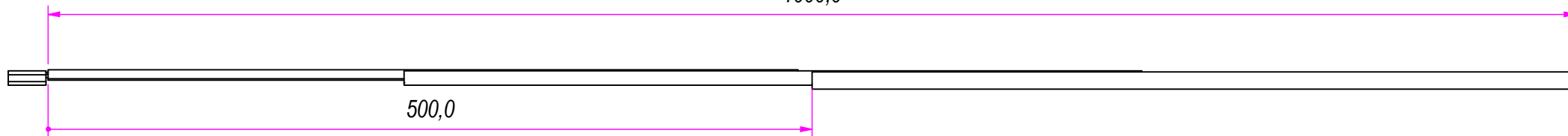
REVISION HISTORY	
REV	DESCRIPTION
1a	

DESIGNED BY F. Dino	CHECKED AND APPROVED BY L. Paleari	GENERAL TOLLERANCE SS-ISO-2768-1M	DATE 10/05/2018	CODE LI51500
PACKAGING 10 Carton/Packed R+L			UNIT mm	SHEET 1 of 2
DESCRIPTION Lock-in			MATERIAL Cold rolled steel	
			PAIR WEIGHT 2,094 Kg	02C
Property of RAM Industrie. Without its written authorization the present drawing shall neither be used for construction anyway, communicated to third parties, nor reproduced.				

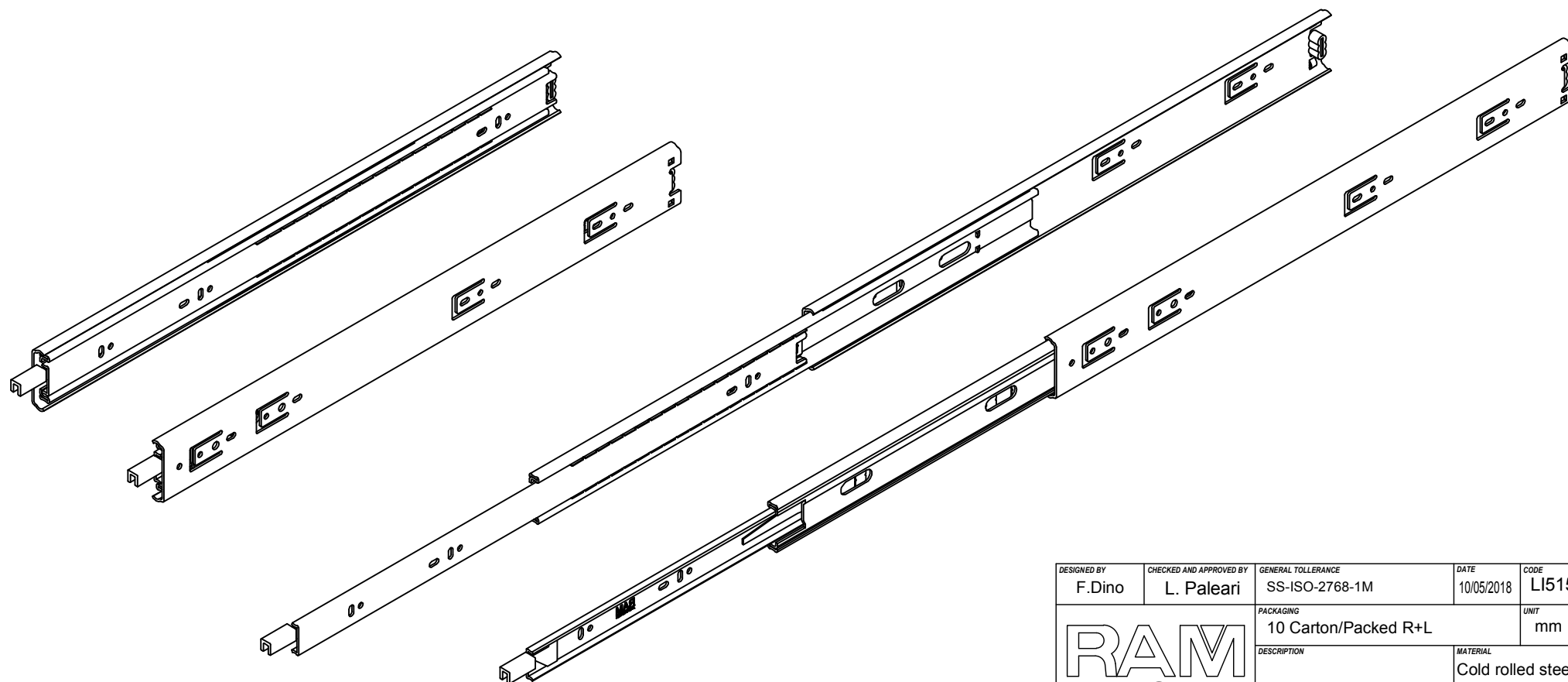
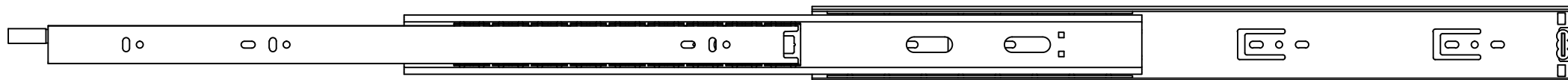




1000,0



500,0



Guide per cassetti; guide telescopica	Coulisses à billes; coulisse télescopique
Drawer slide; telescopic ball bearing slide	Guías para cajones; guía teleópica
Kugelführung; Teleskopschienen	

REVISION HISTORY	
REV	DESCRIPTION
1a	

DESIGNED BY F. Dino	CHECKED AND APPROVED BY L. Paleari	GENERAL TOLERANCE SS-ISO-2768-1M	DATE 10/05/2018	CODE LI51500
PACKAGING 10 Carton/Packed R+L			UNIT mm	SHEET 2 of 2
DESCRIPTION Lock-in			MATERIAL Cold rolled steel	
			PAIR WEIGHT 2,094 Kg	02C

RAM
INDUSTRIE

Property of RAM Industrie.
Without its written authorization the present drawing shall neither be used for construction anyway, communicated to third parties, nor reproduced.