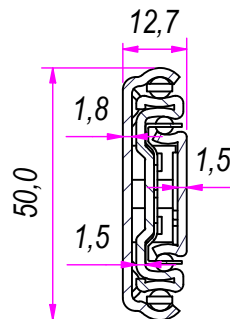
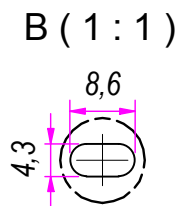
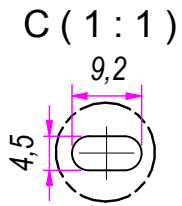


SEZ. A-A

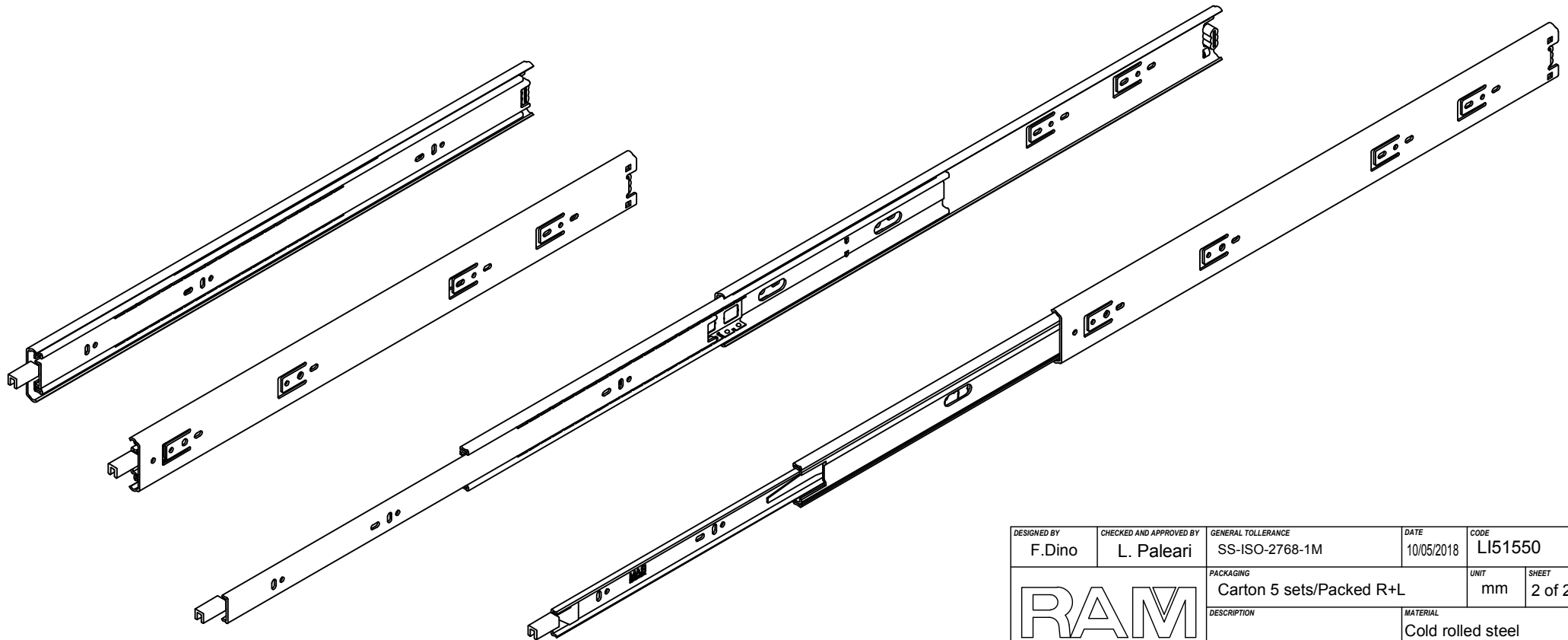
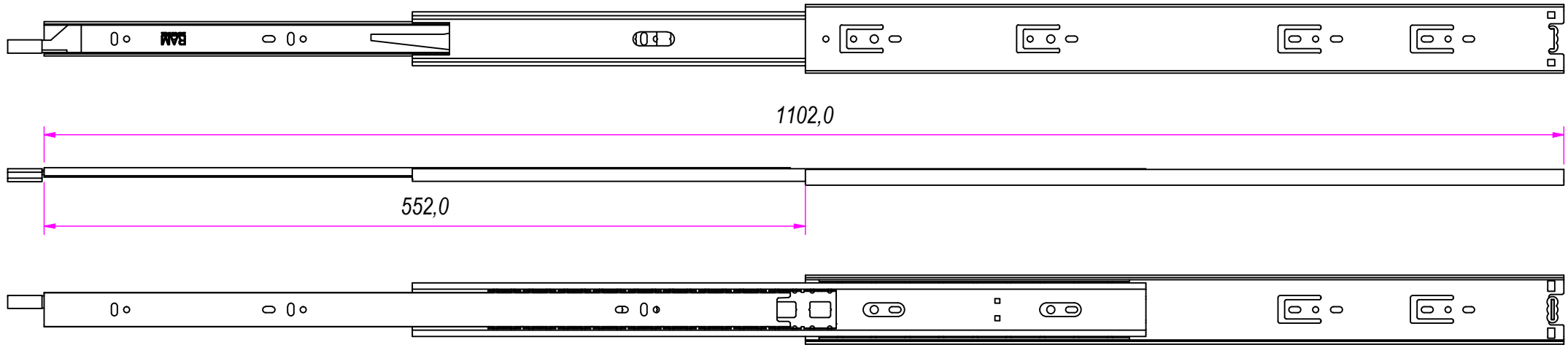


Guide per cassetti; guide telescopiche	Coulisses à billes; coulisse télescopique	
Drawer slide; telescopic ball bearing slide	Guías para cajones; guía teleópica	REV
Kugelführung; Teleskopschienen		1a

REVISION HISTORY	
DESCRIPTION	DATE
	10/05/2018

DESIGNED BY F. Dino	CHECKED AND APPROVED BY L. Paleari	GENERAL TOLERANCE SS-ISO-2768-1M	DATE 10/05/2018	CODE LI51550
PACKAGING Carton 5 sets/Packed R+L			UNIT mm	SHEET 1 of 2
DESCRIPTION Lock-in			MATERIAL Cold rolled steel	
			PAIR WEIGHT 2,312 Kg	02C
<p>Property of RAM Industrie. Without its written authorization the present drawing shall neither be used for construction anyway, communicated to third parties, nor reproduced.</p>				

RAM
INDUSTRIE



DESIGNED BY F. Dino	CHECKED AND APPROVED BY L. Paleari	GENERAL TOLERANCE SS-ISO-2768-1M	DATE 10/05/2018	CODE LI51550
PACKAGING Carton 5 sets/Packed R+L			UNIT mm	SHEET 2 of 2
DESCRIPTION Lock-in			MATERIAL Cold rolled steel	
PAIR WEIGHT 2,312 Kg			02C	

RAM
INDUSTRIE

REVISION HISTORY		REV	DESCRIPTION	DATE
Guide per cassetti; guide telescopiche	Coulisses à billes; coulisse télescopique	1a		10/05/2018
Drawer slide; telescopic ball bearing slide	Guías para cajones; guía teleópica			
Kugelführung; Teleskopschienen				

Property of RAM Industrie.
Without its written authorization the present drawing shall neither be used for construction anyway, communicated to third parties, nor reproduced.