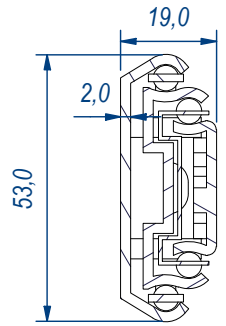
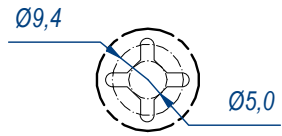


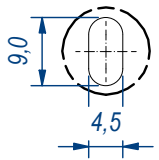
SEZ. A-A



B (1:1)



C (1:1)



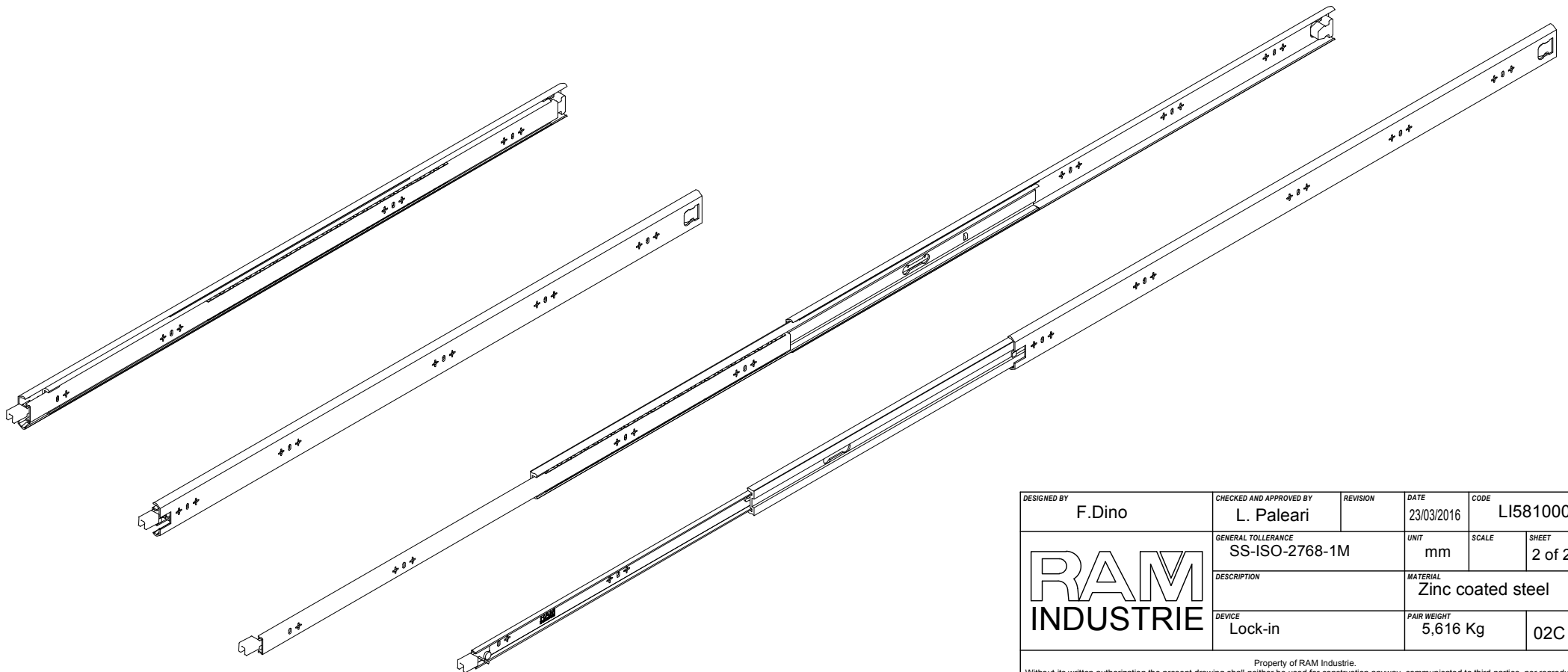
DESIGNED BY F.Dino	CHECKED AND APPROVED BY L. Paleari	REVISION	DATE 23/03/2016	CODE LI581000
RAM INDUSTRIE		GENERAL TOLLERANCE SS-ISO-2768-1M	UNIT mm	SCALE 1 of 2
		DESCRIPTION	MATERIAL Zinc coated steel	
DEVICE Lock-in	PAIR WEIGHT 5,616 Kg	02C		


Property of RAM Industrie.
Without its written authorization the present drawing shall neither be used for construction anyway, communicated to third parties, nor reproduced.



2027,0

1010,0



DESIGNED BY F.Dino	CHECKED AND APPROVED BY L. Paleari	REVISION	DATE 23/03/2016	CODE LI581000
		GENERAL TOLLERANCE SS-ISO-2768-1M	UNIT mm	SHEET 2 of 2
		DESCRIPTION	MATERIAL Zinc coated steel	
DEVICE Lock-in	PAIR WEIGHT 5,616 Kg	02C		

Property of RAM Industrie.
Without its written authorization the present drawing shall neither be used for construction anyway, communicated to third parties, nor reproduced.