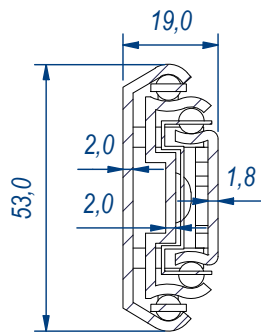
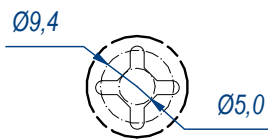


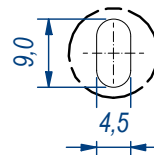
SEZ. A-A



B (1:1)



C (1:1)



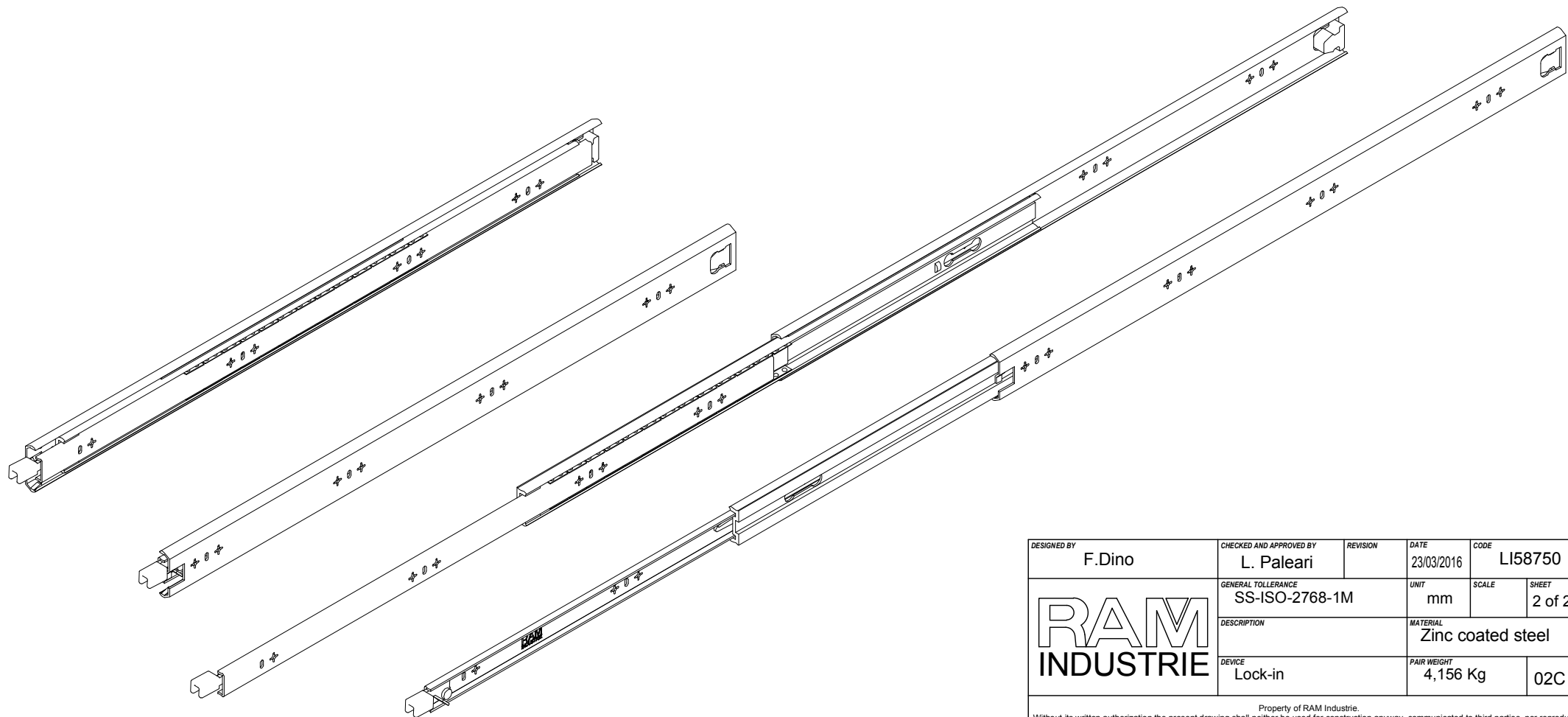
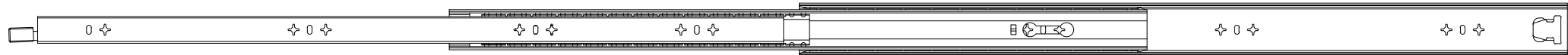
DESIGNED BY <b>F.Dino</b>	CHECKED AND APPROVED BY <b>L. Paleari</b>	REVISION	DATE 23/03/2016	CODE <b>LI58750</b>
<b>RAM INDUSTRIE</b>		GENERAL TOLLERANCE SS-ISO-2768-1M	UNIT mm	SCALE 1 of 2
		DESCRIPTION Lock-in	MATERIAL Zinc coated steel	PAIR WEIGHT 4,156 Kg
02C				


Property of RAM Industrie.  
Without its written authorization the present drawing shall neither be used for construction anyway, communicated to third parties, nor reproduced.



1522,0

760,0



DESIGNED BY <b>F.Dino</b>	CHECKED AND APPROVED BY <b>L. Paleari</b>	REVISION	DATE 23/03/2016	CODE <b>LI58750</b>
		GENERAL TOLLERANCE SS-ISO-2768-1M	UNIT mm	SCALE 2 of 2
		DESCRIPTION	MATERIAL Zinc coated steel	
DEVICE Lock-in		PAIR WEIGHT 4,156 Kg	02C	

Property of RAM Industrie.  
Without its written authorization the present drawing shall neither be used for construction anyway, communicated to third parties, nor reproduced.