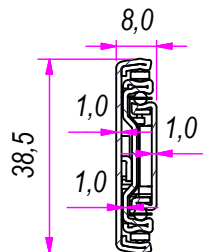
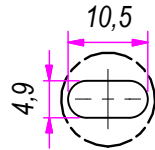


SEZ. A-A



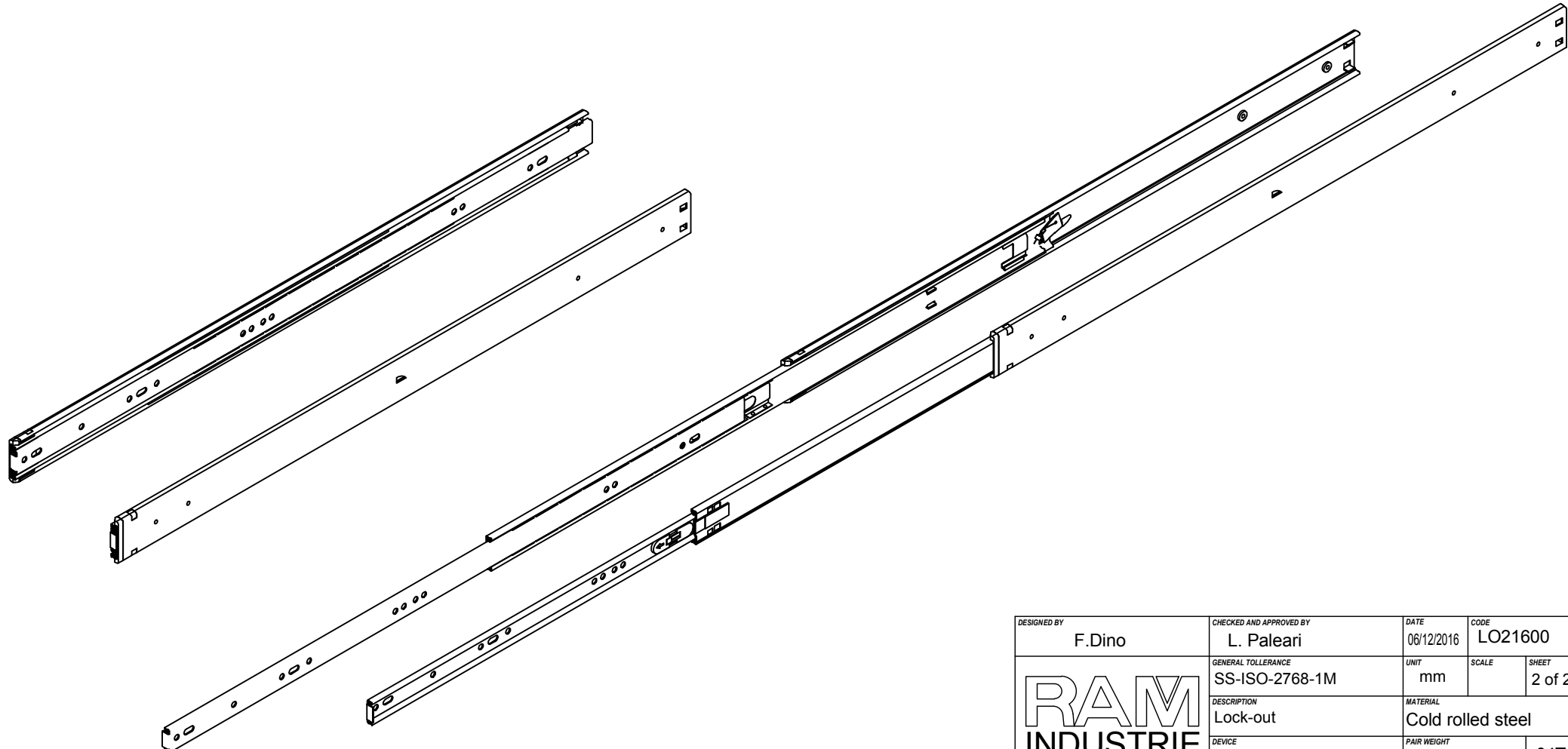
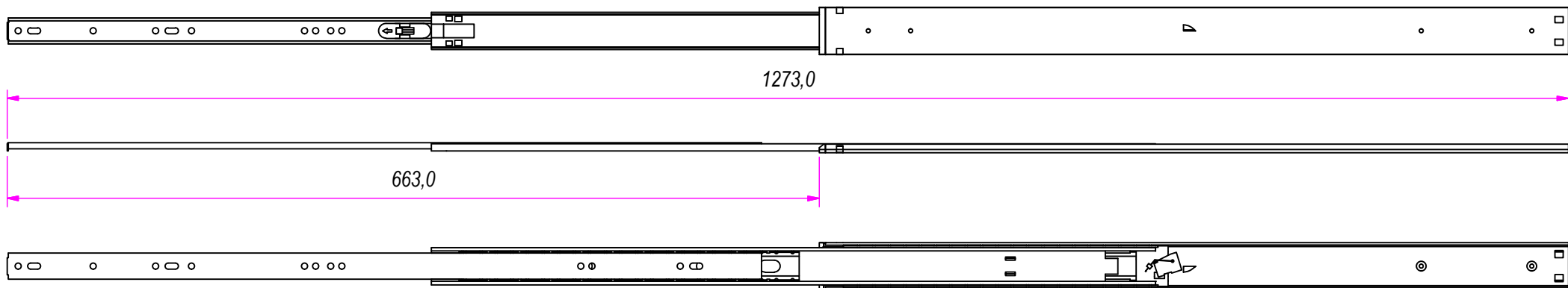
B (1 : 1)




REVISION HISTORY			
REV	DESCRIPTION	APPROVED BY	DATE
1		F.Dino	06/12/2016

DESIGNED BY F.Dino	CHECKED AND APPROVED BY L. Paleari	DATE 06/12/2016	CODE LO21600
	GENERAL TOLLERANCE SS-ISO-2768-1M	UNIT mm	SCALE 1 of 2
	DESCRIPTION Lock-out	MATERIAL Cold rolled steel	
	DEVICE	PAIR WEIGHT 1,466 Kg	04T

Property of RAM Industrie.
Without its written authorization the present drawing shall neither be used for construction anyway, communicated to third parties, nor reproduced.



REVISION HISTORY			
REV	DESCRIPTION	APPROVED BY	DATE
1		F.Dino	06/12/2016

DESIGNED BY F.Dino	CHECKED AND APPROVED BY L. Paleari	DATE 06/12/2016	CODE LO21600	
		GENERAL TOLLERANCE SS-ISO-2768-1M	UNIT mm	SCALE SHEET 2 of 2
		DESCRIPTION Lock-out	MATERIAL Cold rolled steel	
DEVICE		PAIR WEIGHT 1,466 Kg	04T	

Property of RAM Industrie.
Without its written authorization the present drawing shall neither be used for construction anyway, communicated to third parties, nor reproduced.