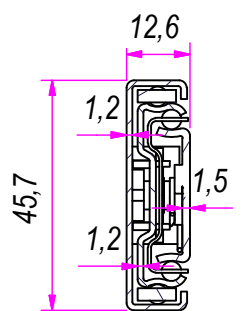
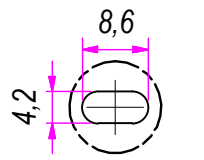


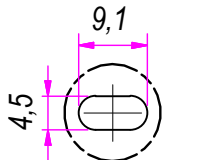
SEZ. A-A



B (1:1)

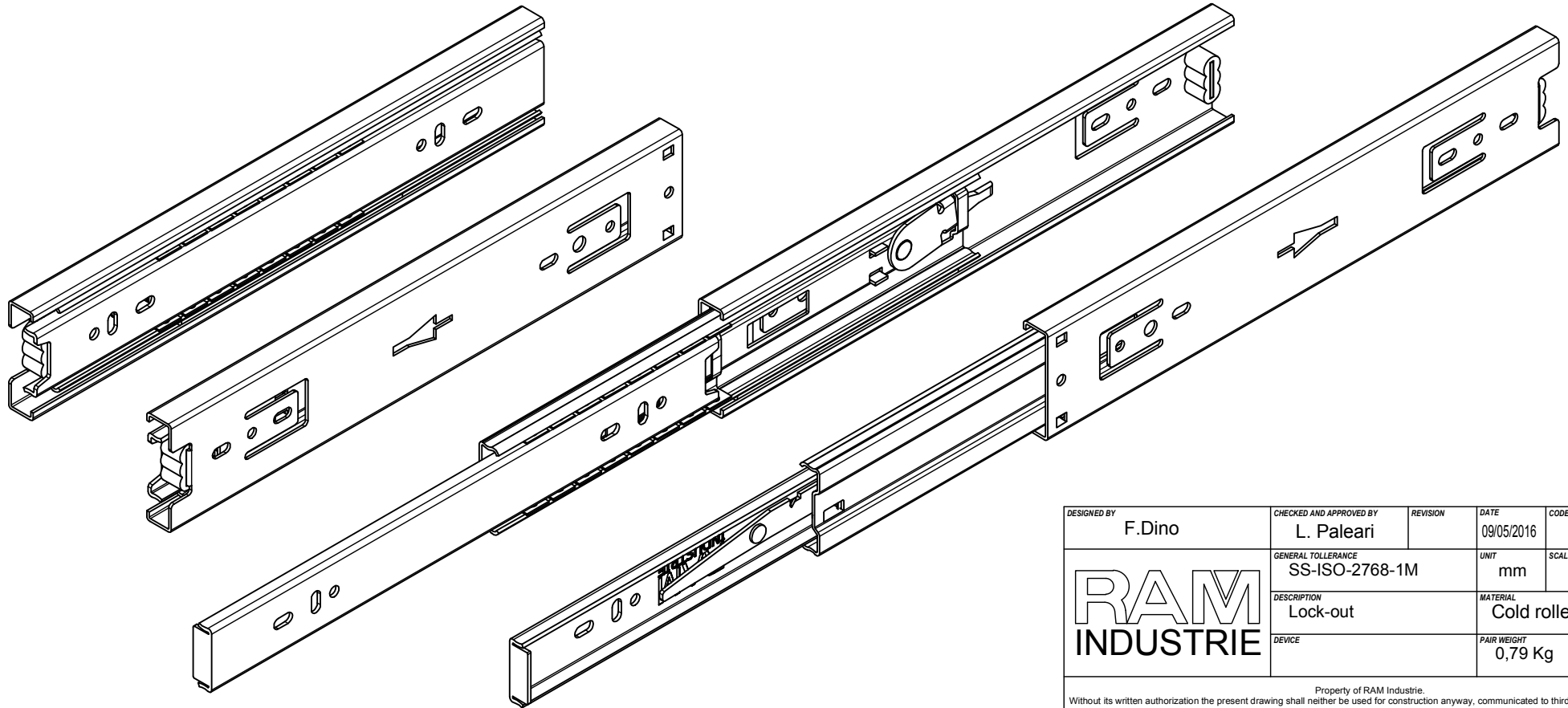
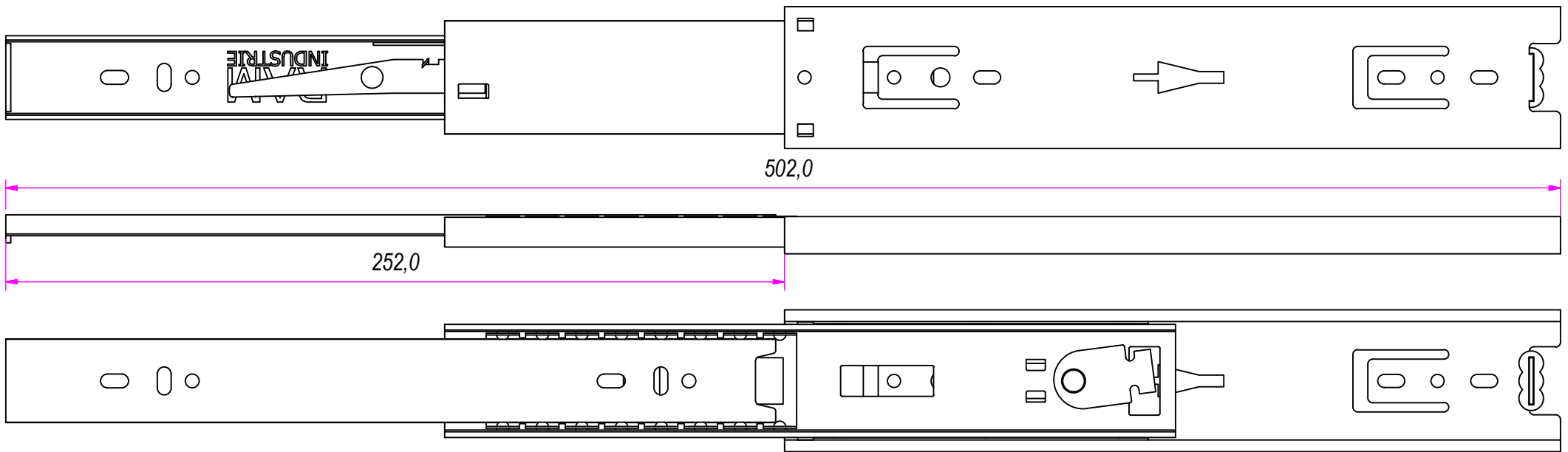


C (1:1)



DESIGNED BY F.Dino	CHECKED AND APPROVED BY L. Paleari	REVISION	DATE 09/05/2016	CODE LO48250
GENERAL TOLERANCE SS-ISO-2768-1M			UNIT mm	SHEET 1 of 2
DESCRIPTION Lock-out			MATERIAL Cold rolled steel	
DEVICE			PAIR WEIGHT 0,79 Kg	02C
Property of RAM Industrie. Without its written authorization the present drawing shall neither be used for construction anyway, communicated to third parties, nor reproduced.				

RAM
INDUSTRIE



DESIGNED BY F.Dino	CHECKED AND APPROVED BY L. Paleari	REVISION	DATE 09/05/2016	CODE LO48250
GENERAL TOLLERANCE SS-ISO-2768-1M		UNIT mm	SCALE	SHEET 2 of 2
DESCRIPTION Lock-out		MATERIAL Cold rolled steel		
DEVICE		PAIR WEIGHT 0,79 Kg	02C	

Property of RAM Industrie.
Without its written authorization the present drawing shall neither be used for construction anyway, communicated to third parties, nor reproduced.