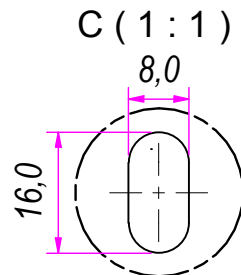
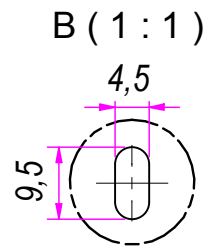
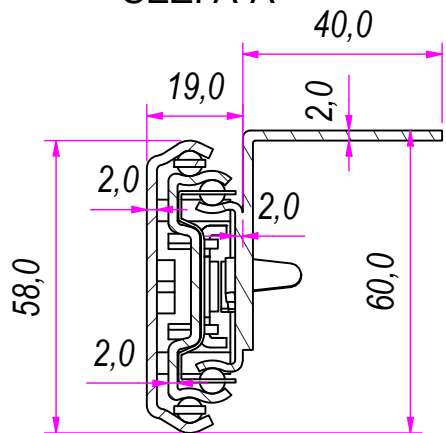


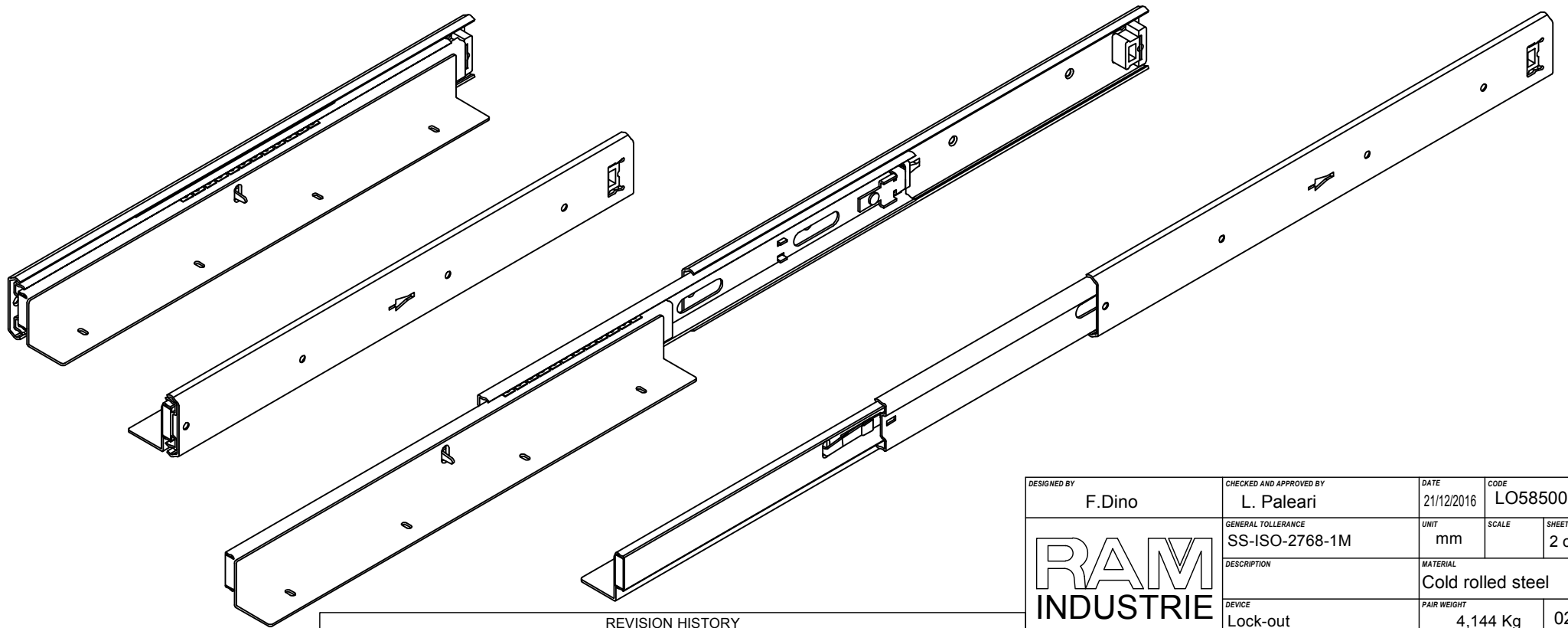
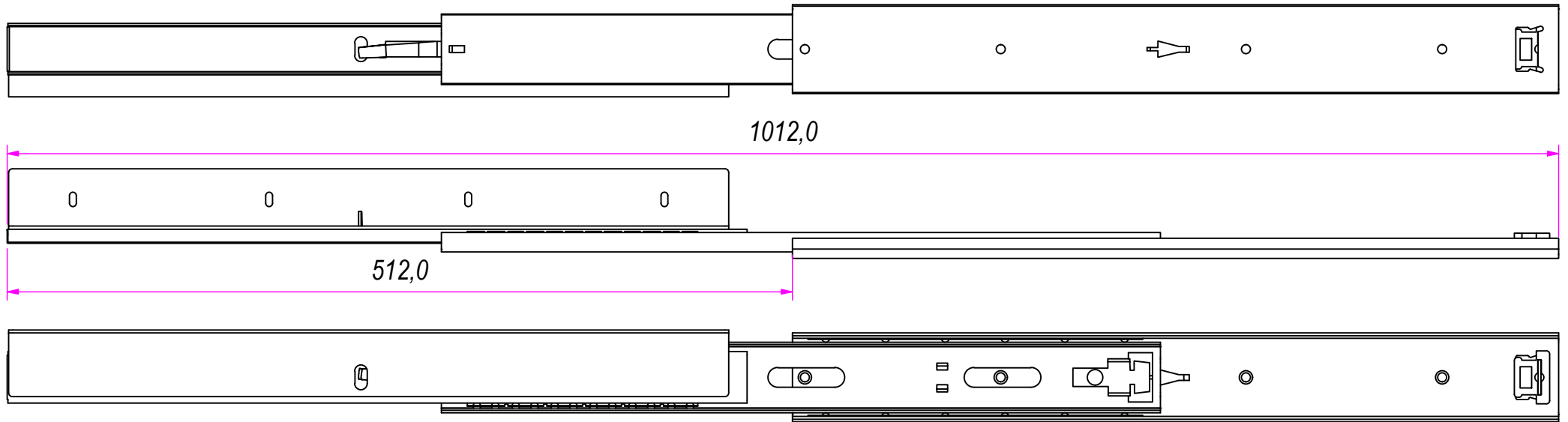
SEZ. A-A




REVISION HISTORY			
REV	DESCRIPTION	APPROVED BY	DATE
1		F.Dino	21/12/2016

DESIGNED BY F.Dino	CHECKED AND APPROVED BY L. Paleari	DATE 21/12/2016	CODE LO58500
		GENERAL TOLLERANCE SS-ISO-2768-1M	UNIT mm
		SCALE 1 of 2	SHEET 1 of 2
DESCRIPTION Lock-out		MATERIAL Cold rolled steel	
		PAIR WEIGHT 4,144 Kg	02C

Property of RAM Industrie.
Without its written authorization the present drawing shall neither be used for construction anyway, communicated to third parties, nor reproduced.



REVISION HISTORY			
REV	DESCRIPTION	APPROVED BY	DATE
1		F.Dino	21/12/2016

DESIGNED BY F.Dino	CHECKED AND APPROVED BY L. Paleari	DATE 21/12/2016	CODE LO58500	
		GENERAL TOLLERANCE SS-ISO-2768-1M	UNIT mm	SCALE SHEET 2 of 2
		DESCRIPTION Lock-out	MATERIAL Cold rolled steel PAIR WEIGHT 4,144 Kg 02C	

Property of RAM Industrie.
Without its written authorization the present drawing shall neither be used for construction anyway, communicated to third parties, nor reproduced.