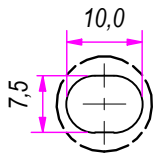
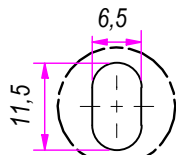


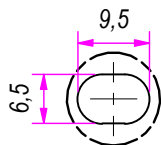
B (1:1)



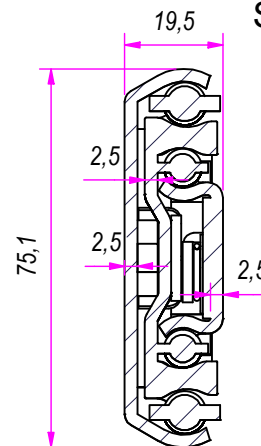
C (1:1)



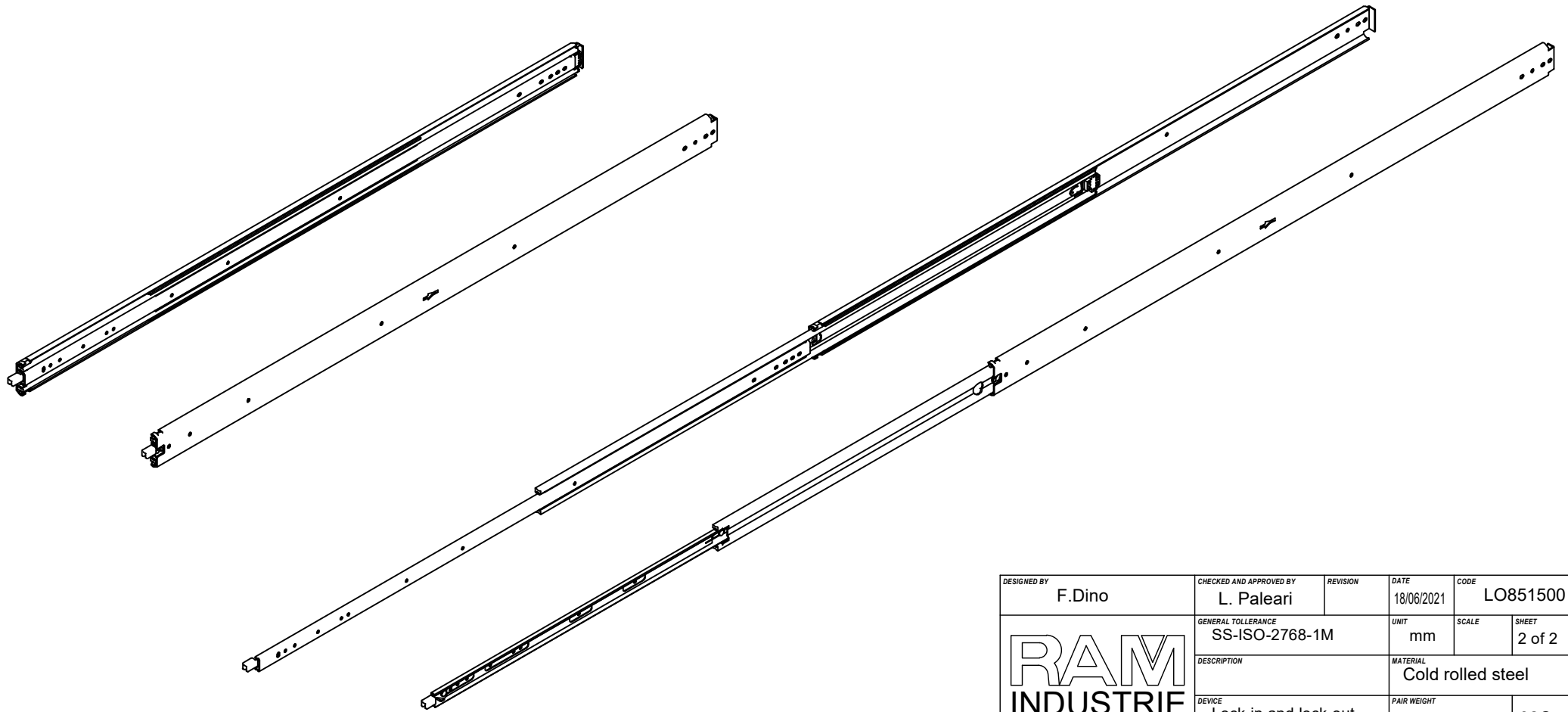
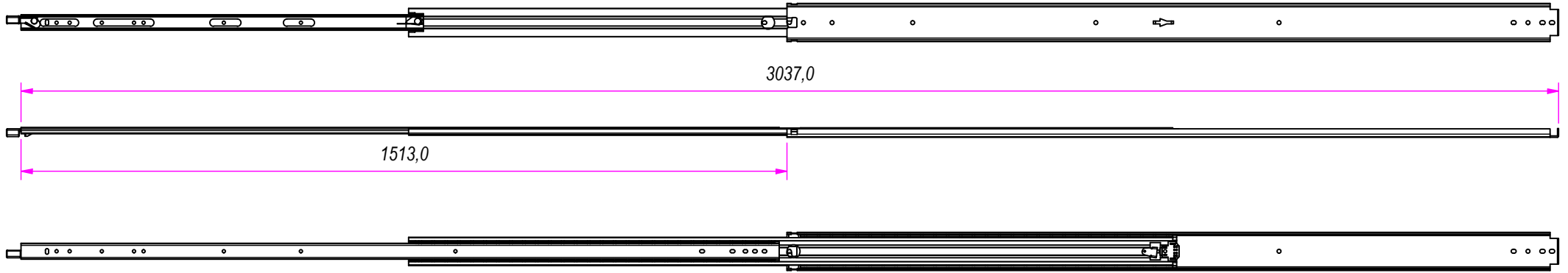
D (1:1)




SEZ. A-A



| | | | | |
|-------------------------------------|---------------------------------------|------------|-------------------------------|------------------|
| DESIGNED BY F.Dino | CHECKED AND APPROVED BY L. Paleari | REVISION | DATE 18/06/2021 | CODE LO851500 |
| GENERAL TOLERANCE SS-ISO-2768-1M | | UNIT mm | SCALE | SHEET 1 of 2 |
| DESCRIPTION Lock-in and lock-out | | | MATERIAL Cold rolled steel | |
| PAIR WEIGHT | | | 02C | |



| | | | | |
|---|---------------------------------------|----------|--------------------------------|--------------------|
| DESIGNED BY F.Dino | CHECKED AND APPROVED BY L. Paleari | REVISION | DATE 18/06/2021 | CODE LO851500 |
| GENERAL TOLLERANCE SS-ISO-2768-1M | | | UNIT mm | SHEET 2 of 2 |
|  | | | MATERIAL Cold rolled steel | |
| | | | DEVICE Lock-in and lock-out | PAIR WEIGHT 02C |

Property of RAM Industrie.
Without its written authorization the present drawing shall neither be used for construction anyway, communicated to third parties, nor reproduced.