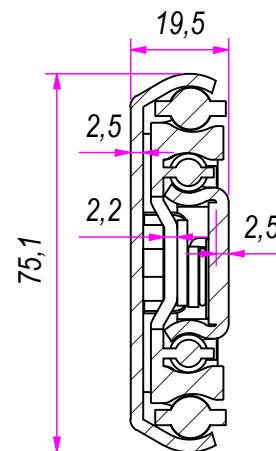
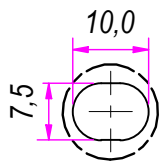


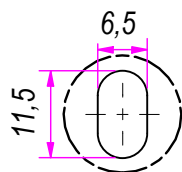
SEZ. A-A



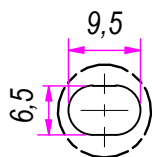
B (1:1)



C (1:1)

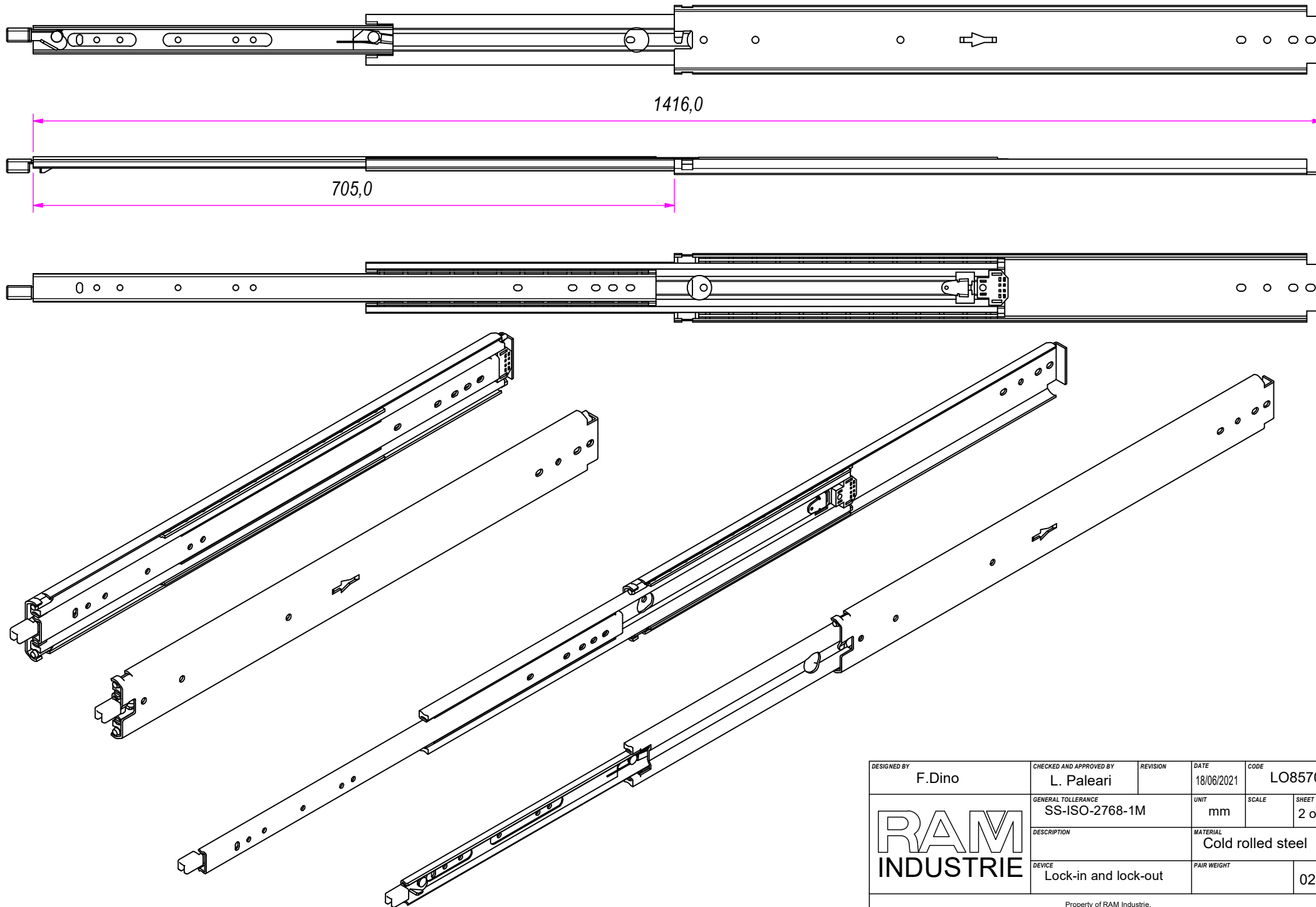



D (1:1)



| | | | | |
|-----------------------|---------------------------------------|-------------------------------------|-------------------------------|-----------------|
| DESIGNED BY F.Dino | CHECKED AND APPROVED BY L. Paleari | REVISION | DATE 18/06/2021 | CODE LO85700 |
| | | GENERAL TOLERANCE SS-ISO-2768-1M | UNIT mm | SCALE 1 of 2 |
| | | DESCRIPTION Lock-in and lock-out | MATERIAL Cold rolled steel | |
| PAIR WEIGHT | | | 02C | |

Property of RAM Industrie.
Without its written authorization the present drawing shall neither be used for construction anyway, communicated to third parties, nor reproduced.



| | | | | |
|---|---------------------------------------|--------------------------------------|-------------------------------|--------------------|
| DESIGNED BY F.Dino | CHECKED AND APPROVED BY L. Paleari | REVISION | DATE 18/06/2021 | CODE LO85700 |
|  | | GENERAL TOLLERANCE SS-ISO-2768-1M | UNIT mm | SCALE 2 of 2 |
| | | DESCRIPTION Lock-in and lock-out | MATERIAL Cold rolled steel | PAIR WEIGHT 02C |

Property of RAM Industrie.
Without its written authorization the present drawing shall neither be used for construction anyway, communicated to third parties, nor reproduced.