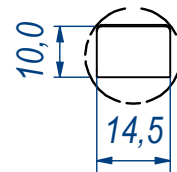
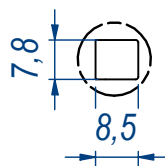
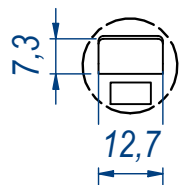


B (1 : 1,5)

C (1 : 1,5)

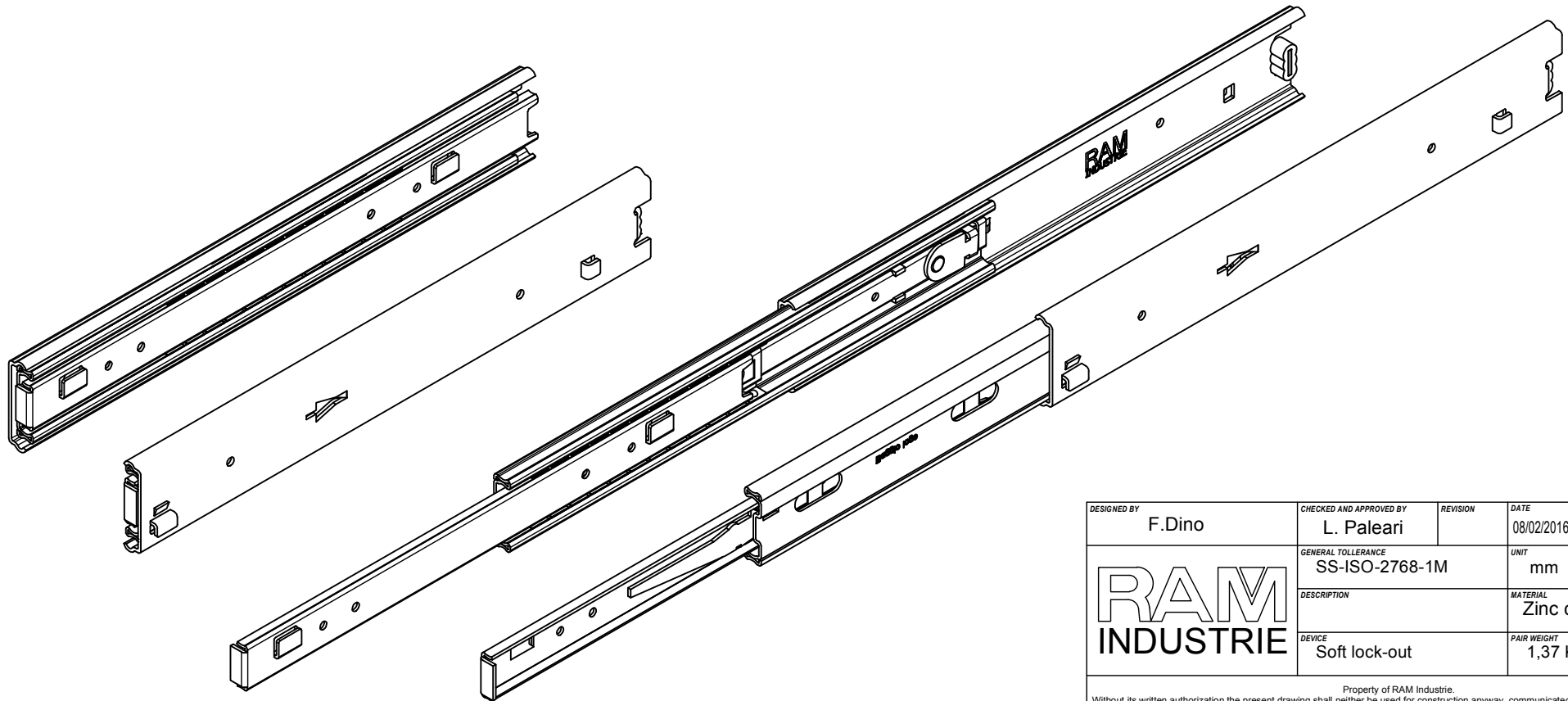
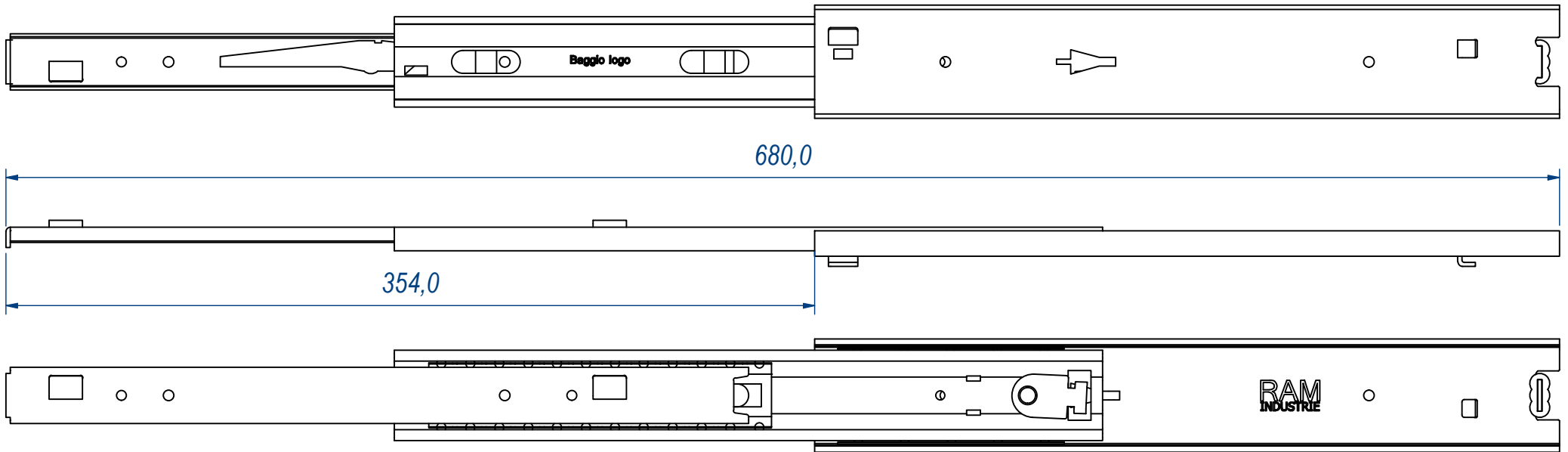
D (1 : 1,5)



REVISION HISTORY		
REV	DESCRIPTION	DATE
1	Modified bracket distance (18-31)	04/06/2019

DESIGNED BY F.Dino	CHECKED AND APPROVED BY L. Paleari	REVISION	DATE 08/02/2016	CODE LOS52326
		GENERAL TOLLERANCE SS-ISO-2768-1M	UNIT mm	SCALE 1 of 2
		DESCRIPTION Soft lock-out	MATERIAL Zinc coated steel	PAIR WEIGHT 1,37 Kg
				02C

Property of RAM Industrie.
Without its written authorization the present drawing shall neither be used for construction anyway, communicated to third parties, nor reproduced.



DESIGNED BY F.Dino	CHECKED AND APPROVED BY L. Paleari	REVISION	DATE 08/02/2016	CODE LOS52326
GENERAL TOLERANCE SS-ISO-2768-1M		UNIT mm	SCALE	SHEET 2 of 2
DESCRIPTION Soft lock-out			MATERIAL Zinc coated steel	
PAIR WEIGHT 1,37 Kg			02C	

Property of RAM Industrie.
Without its written authorization the present drawing shall neither be used for construction anyway, communicated to third parties, nor reproduced.