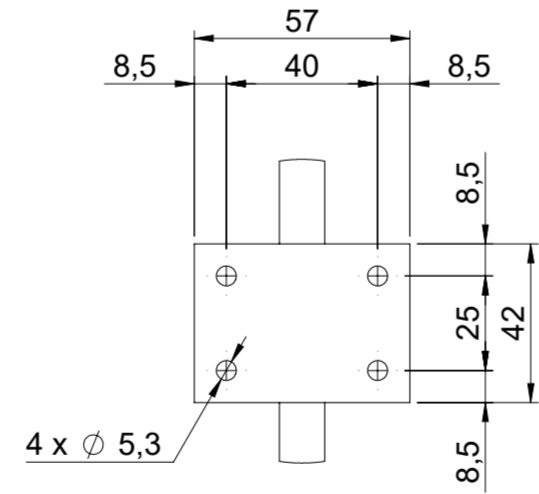
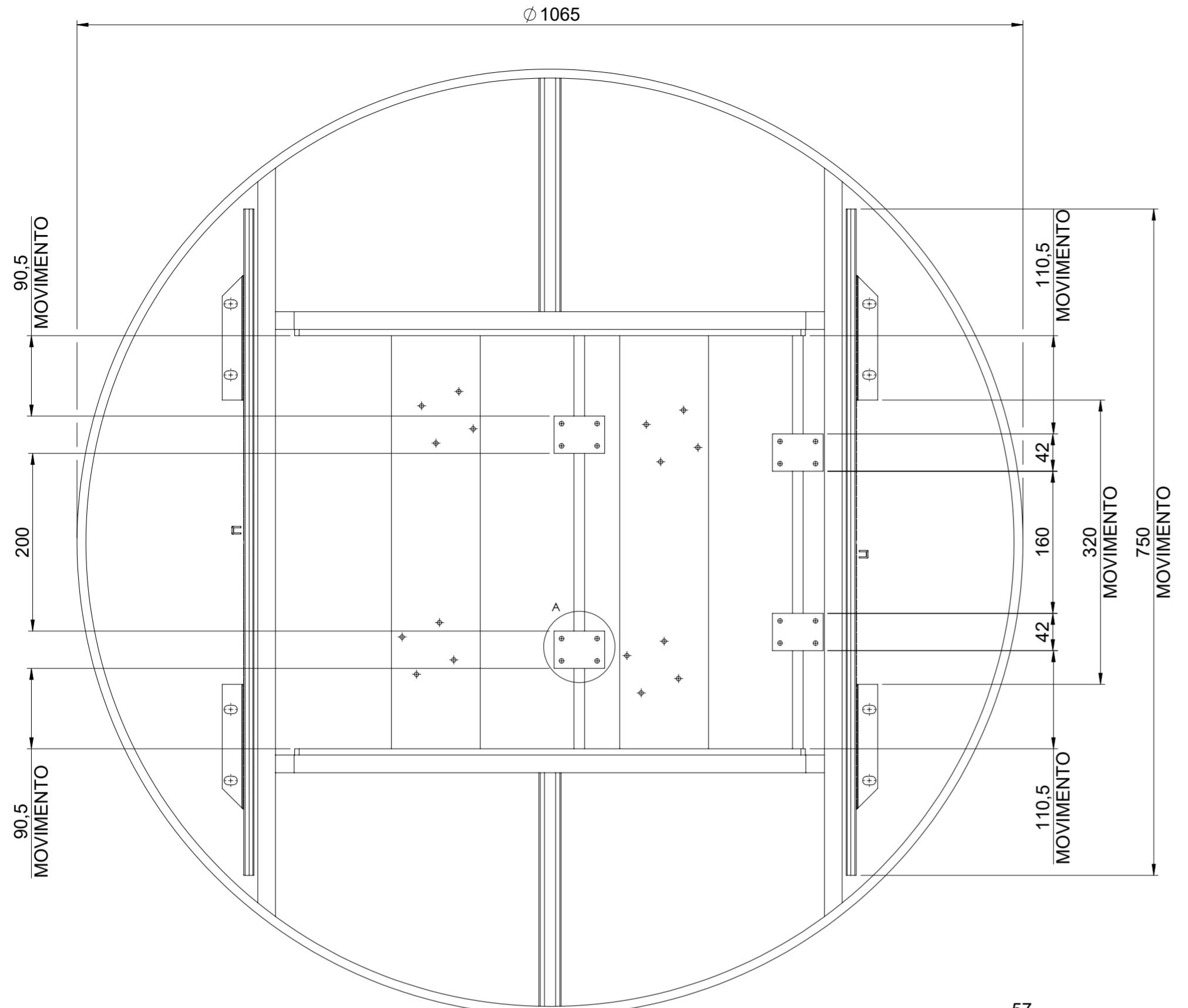
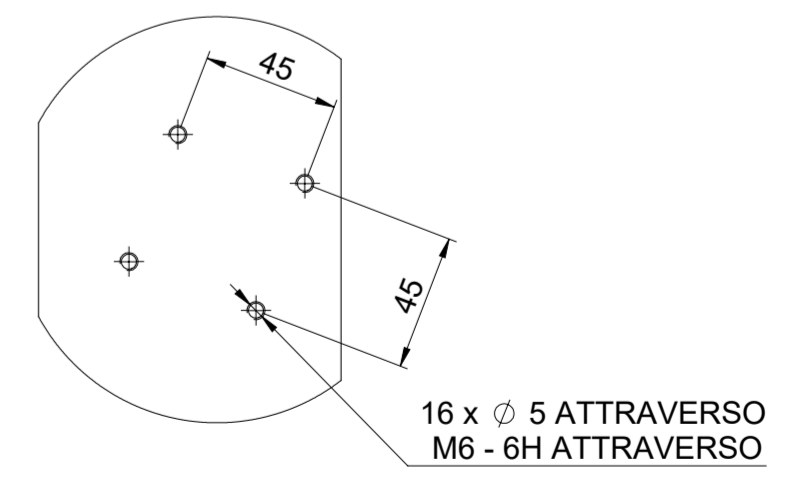
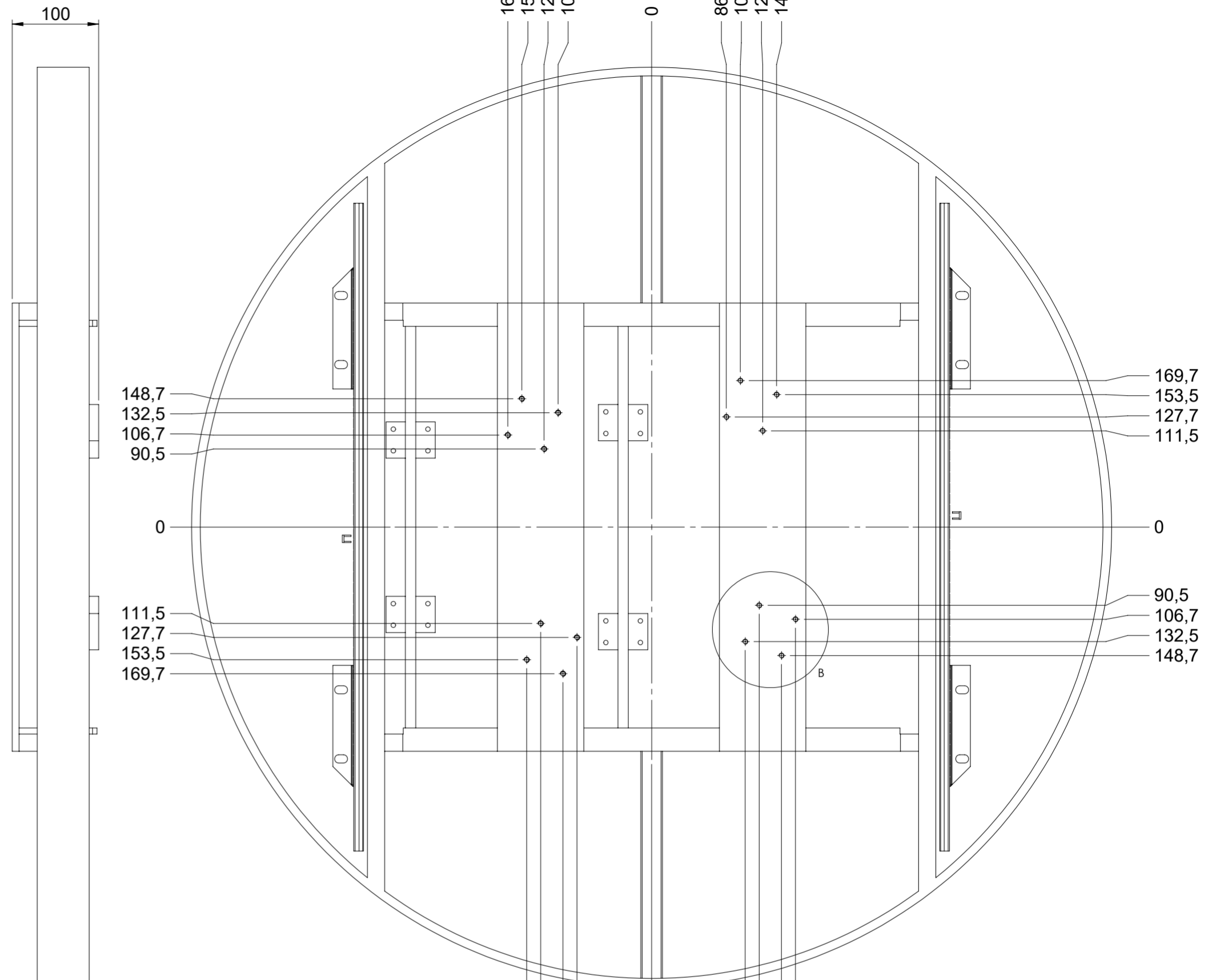


TOLERANCES FOLLOWING ISO 8015
INDICATED BY DIMENSION LINES
TOLERANCE INDICATIONS (ISO 2768/mt)

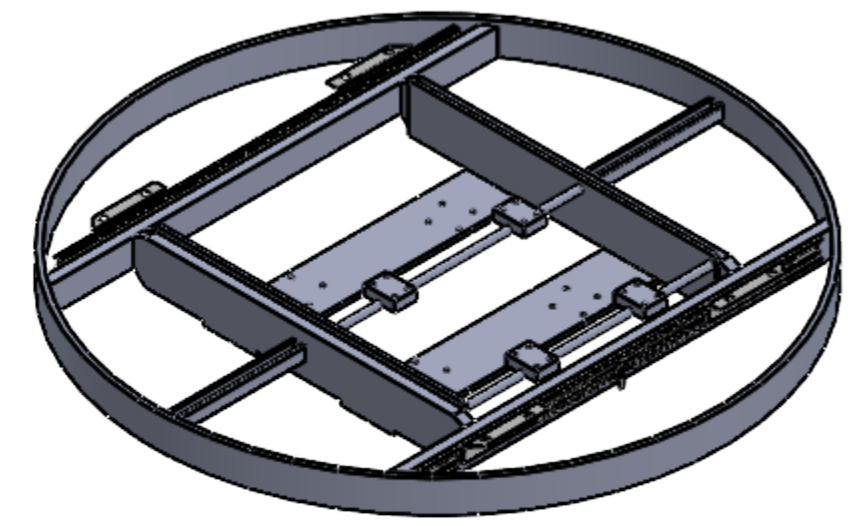
Nominal dimension (mm)	0.1	0.2	0.3	0.4	0.5	0.6	0.8	1.0	1.2	1.5	2.0	2.5	3.0	4.0	5.0	6.0	8.0	10.0	12.0	16.0	20.0	25.0	30.0	40.0	50.0	63.0	80.0	100.0	125.0	160.0	200.0	250.0	315.0	400.0	500.0	630.0	800.0	1000.0				
> 0.1	±0.2	±0.3	±0.5	±0.8	±1.2	±2.0	±3.0	±4.0	±5.0	±6.0	±8.0	±10.0	±12.0	±16.0	±20.0	±25.0	±30.0	±40.0	±50.0	±63.0	±80.0	±100.0	±125.0	±160.0	±200.0	±250.0	±315.0	±400.0	±500.0	±630.0	±800.0	±1000.0	±1250.0	±1600.0	±2000.0	±2500.0	±3150.0	±4000.0	±5000.0	±6300.0	±8000.0	±10000.0



DETAGLIO A
SCALA 1:2



DETAGLIO B
SCALA 2:5



Q.ty:

MACHINE	Material	Des.	RAM INDUSTRIE
GROUP	Weight (Kg) 20.00	Cad Studio RF Date (dd/mm/yyyy) 11/11/2024	
DESCRIPTION	Surface finish	Scale	DWG. NO.
MECCANISMO PER TAVOLO ROTONDO 110-155 cm	NERO OPACO	1:5	N531100
	Thickness	Chk	Rev. 0

THIS DRAWING IS THE EXCLUSIVE PROPERTY OF RAM INDUSTRIE (THE COMPANY).
WITHOUT ANY PRIOR WRITTEN AUTHORIZATION OF THE COMPANY,
THIS DRAWING CANNOT BE USED FOR CONSTRUCTION, NEITHER TRANSFERRED
IN ANY MANNER TO A THIRD PARTY.
THE COMPANY WILL LEGALLY DEFEND ITS OWN RIGHTS.