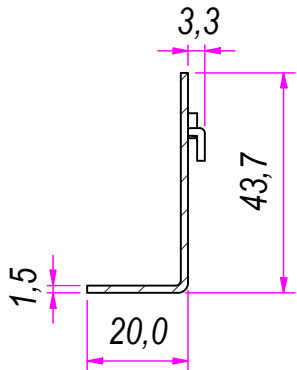
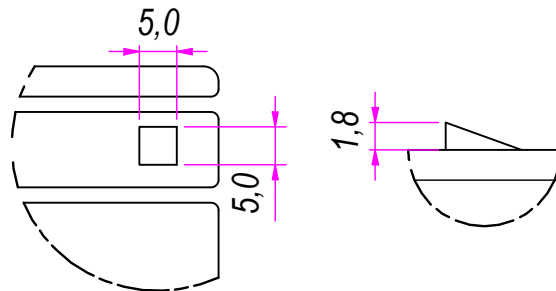


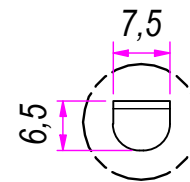
SEZ. A-A



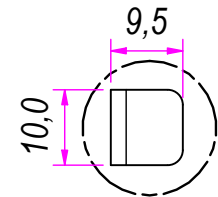
B (1:1)




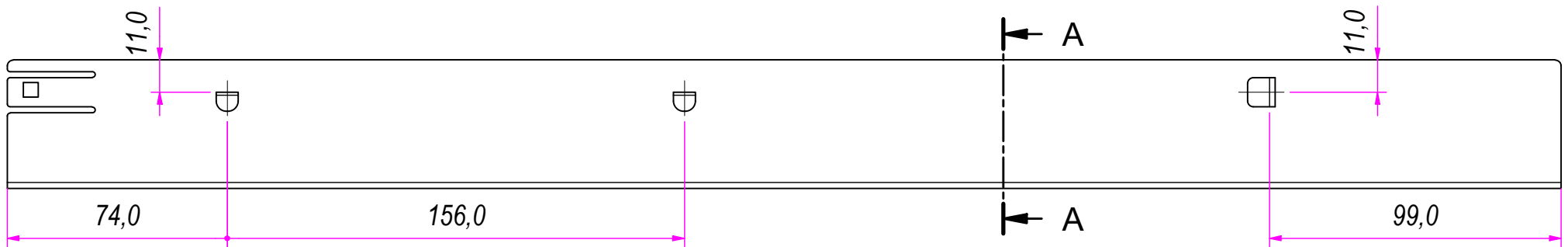
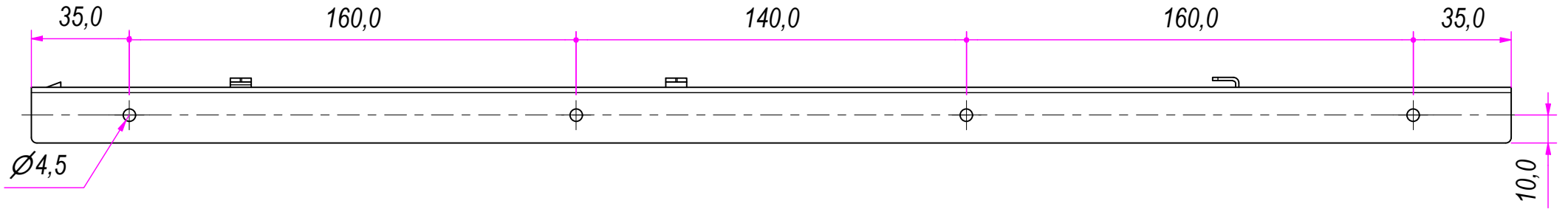
C (1:1)



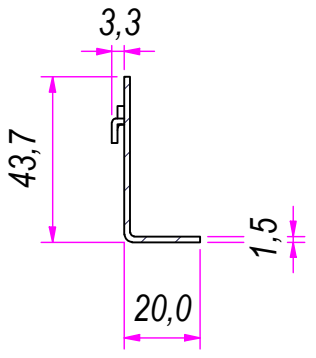
D (1:1)



DESIGNED BY F.Dino	CHECKED AND APPROVED BY L. Paleari	REVISION	DATE 27/05/2016	CODE NE01550(LH)
GENERAL TOLERANCE SS-ISO-2768-1M			UNIT mm	SCALE 1 of 2
			MATERIAL Cold rolled steel	
			DESCRIPTION Black finishing (cataphoresis coating)	PAIR WEIGHT 0,74 Kg



SEZ. A-A



DESIGNED BY F.Dino	CHECKED AND APPROVED BY L. Paleari	REVISION	DATE 27/05/2016	CODE NE01550(RH)
	GENERAL TOLLERANCE SS-ISO-2768-1M	UNIT mm	SCALE	SHEET 2 of 2
	DESCRIPTION Black finishing (cataphoresis coating)	MATERIAL Cold rolled steel	PAIR WEIGHT 0,74 Kg	02C
	Property of RAM Industrie. Without its written authorization the present drawing shall neither be used for construction anyway, communicated to third parties, nor reproduced.			