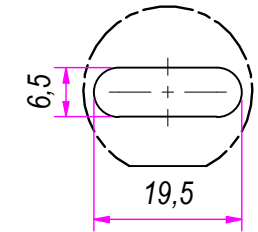
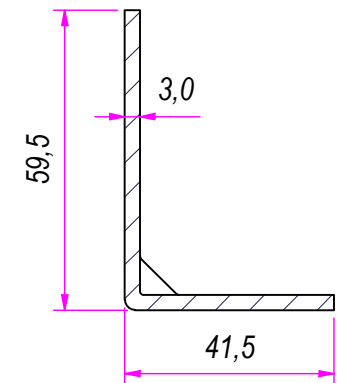


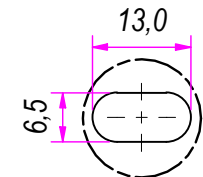
B (1 : 1)



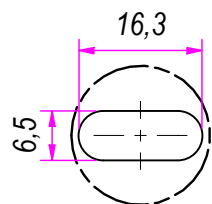
SEZ. A-A



C (1 : 1)



D (1 : 1)

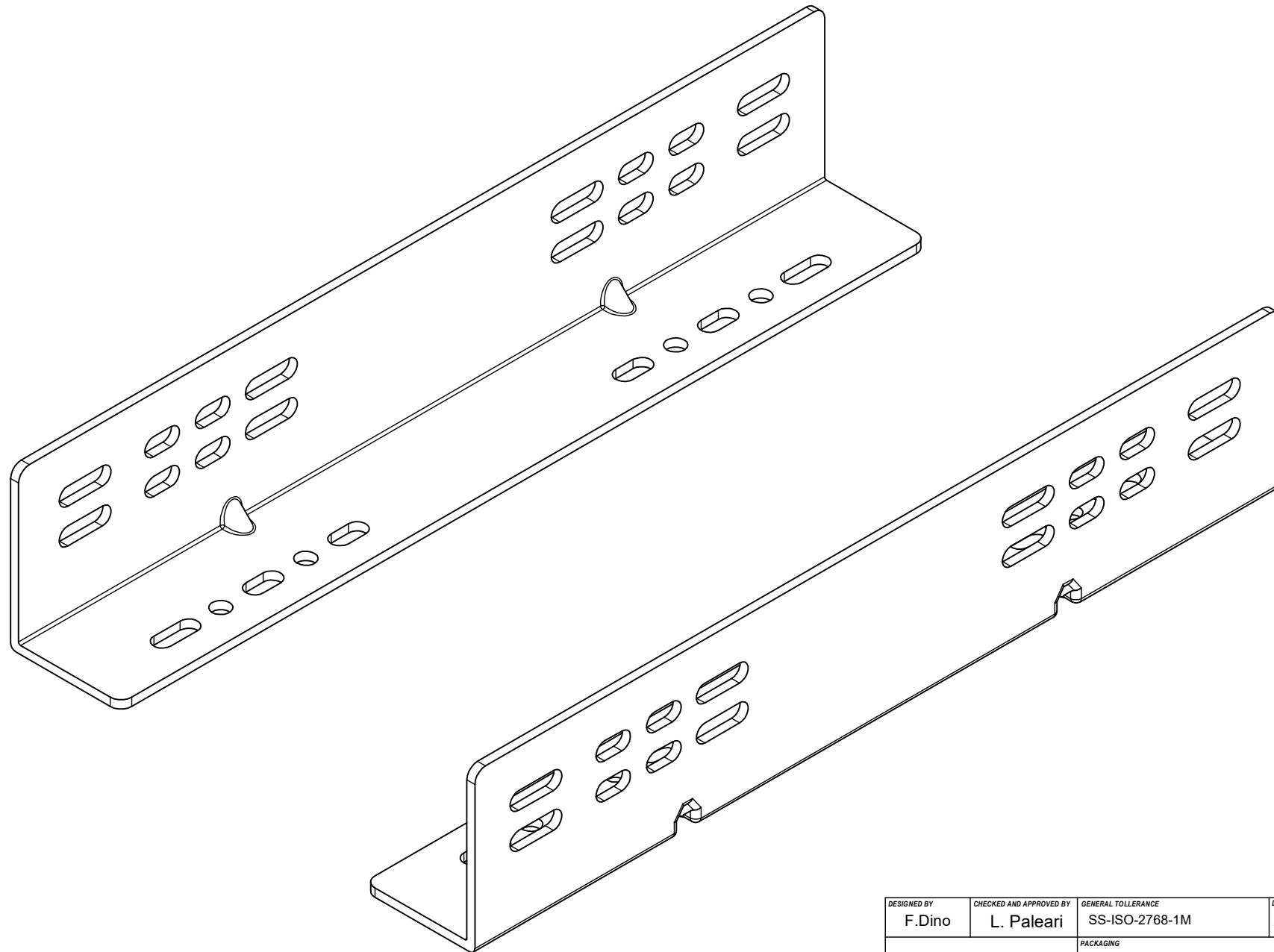



DESIGNED BY F. Dino	CHECKED AND APPROVED BY L. Paleari	GENERAL TOLLERANCE SS-ISO-2768-1M	DATE 20/09/2021	CODE Flangia
PACKAGING			UNIT mm	SHEET 1 of 2
DESCRIPTION			MATERIAL Iron	
DEVICE			PAIR WEIGHT 1,248 Kg	

RAM
INDUSTRIE

REVISION HISTORY		REV	DESCRIPTION	DATE
Guide per cassetti; guide telescopiche	Coulisses à billes; coulisse télescopique			
Drawer slide; telescopic ball bearing slide	Guías para cajones; guía teleópica	1a		20/09/2021
Kugelführung; Teleskopschienen				

Property of RAM Industrie.
Without its written authorization the present drawing shall neither be used for construction anyway, communicated to third parties, nor reproduced.



DESIGNED BY F.Dino	CHECKED AND APPROVED BY L. Paleari	GENERAL TOLERANCE SS-ISO-2768-1M	DATE 20/09/2021	CODE Flangia	
			PACKAGING	UNIT mm	SHEET 2 of 2
			DESCRIPTION	MATERIAL Iron	
DEVICE	PAIR WEIGHT 1,248 Kg				

Property of RAM Industrie.
Without its written authorization the present drawing shall neither be used for construction anyway, communicated to third parties, nor reproduced.