
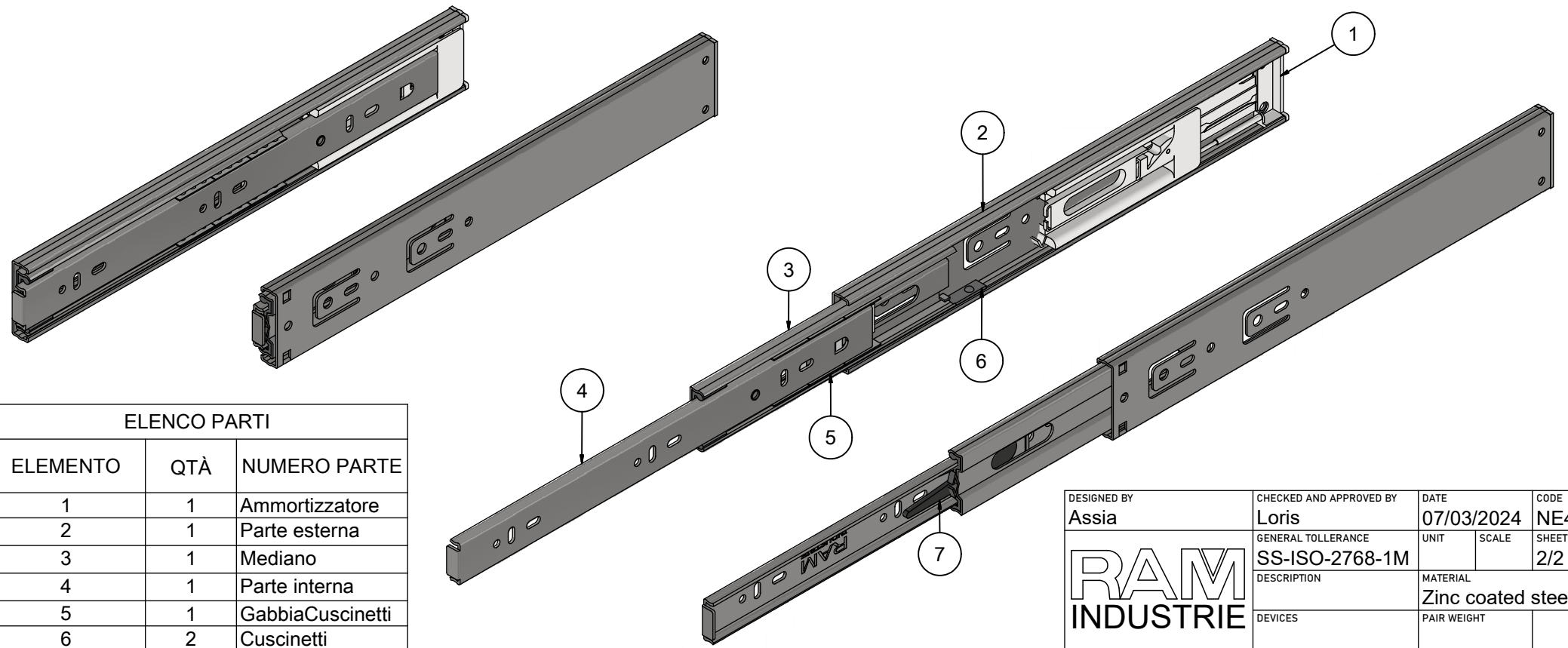
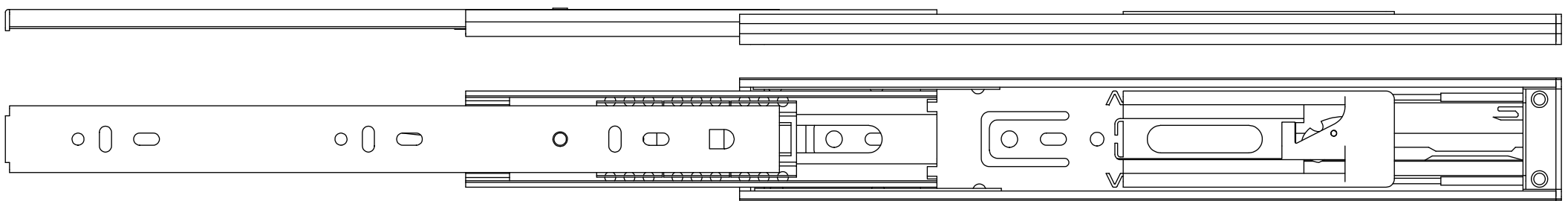
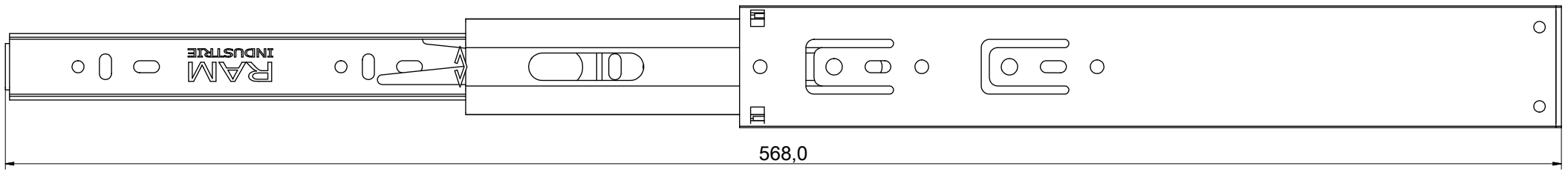



DESIGNED BY Assia	CHECKED AND APPROVED BY Loris	DATE 07/03/2024	CODE NE41300
		GENERAL TOLLERANCE SS-ISO-2768-1M	UNIT SCALE 1/2
		DESCRIPTION	MATERIAL Zinc coated steel
DEVICES		PAIR WEIGHT	
<small>Property of Ram Industrie without its written authorization, the present drawing shall neither be used for construction anyway, communicated to third parts, not reproduced</small>			



ELENCO PARTI

ELEMENTO	QTÀ	NUMERO PARTE
1	1	Ammortizzatore
2	1	Parte esterna
3	1	Mediano
4	1	Parte interna
5	1	GabbiaCuscinetti
6	2	Cuscinetti
7	1	Levetta

DESIGNED BY Assia	CHECKED AND APPROVED BY Loris	DATE 07/03/2024	CODE NE41300
		GENERAL TOLLERANCE SS-ISO-2768-1M	UNIT SCALE
		DESCRIPTION	SHEET 2/2
DEVICES		MATERIAL Zinc coated steel	PAIR WEIGHT

Property of Ram Industrie
without its written authorization, the present drawing shall neither
be used for construction anyway, communicated to third parts, not reproduced