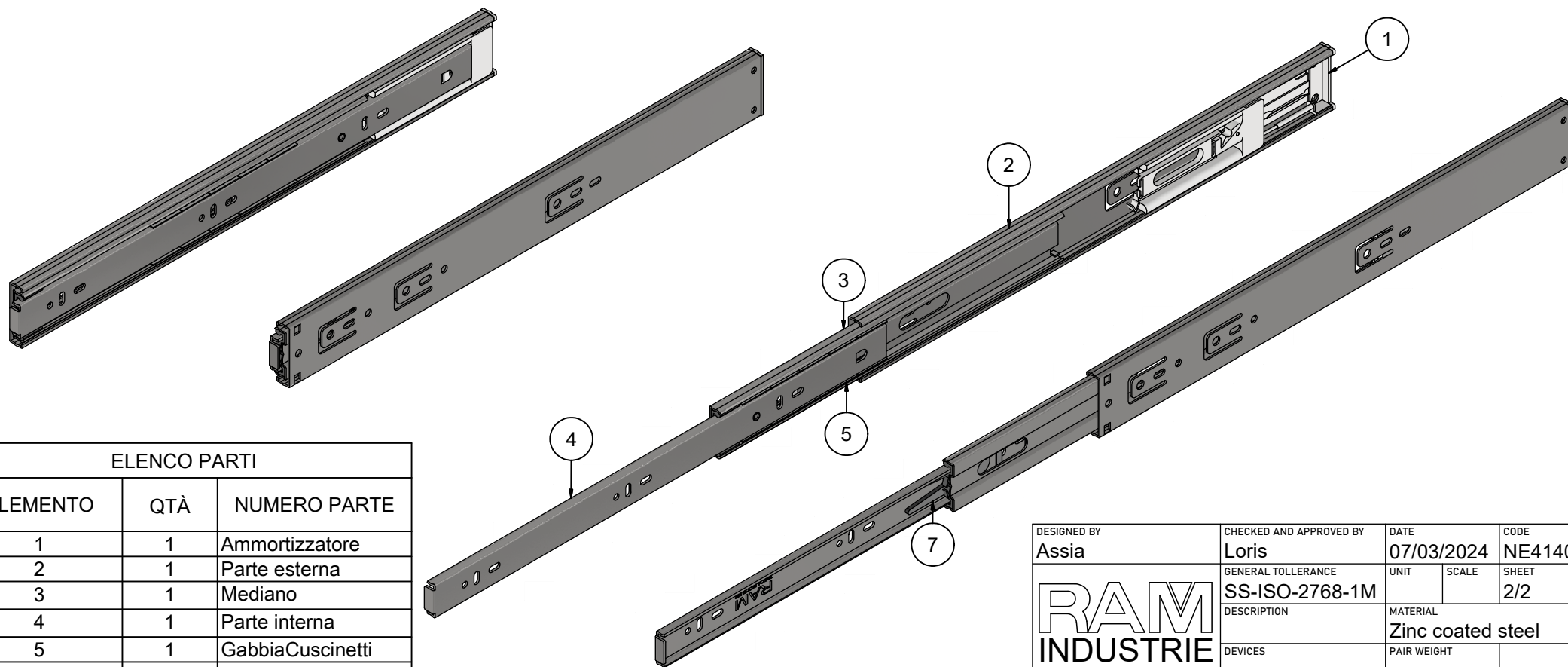
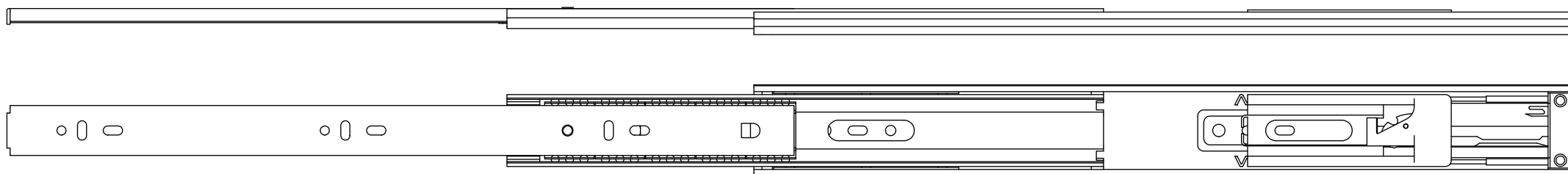
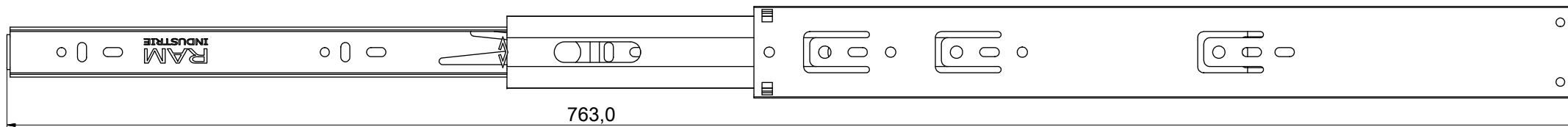



DESIGNED BY Assia	CHECKED AND APPROVED BY Loris	DATE 07/03/2024	CODE NE41400
		GENERAL TOLERANCE SS-ISO-2768-1M	UNIT SCALE
		DESCRIPTION DEVICES	SHEET 1/2
		MATERIAL Zinc coated steel	PAIR WEIGHT

Property of Ram Industrie
without its written authorization, the present drawing shall neither
be used for construction anyway, communicated to third parts, not reproduced



ELENCO PARTI

ELEMENTO	QTÀ	NUMERO PARTE
1	1	Ammortizzatore
2	1	Parte esterna
3	1	Mediano
4	1	Parte interna
5	1	GabbiaCuscinetti
7	1	Levetta
8	2	Cuscinetti

DESIGNED BY Assia	CHECKED AND APPROVED BY Loris	DATE 07/03/2024	CODE NE41400
	GENERAL TOLLERANCE SS-ISO-2768-1M	UNIT	SCALE SHEET 2/2
	DESCRIPTION	MATERIAL Zinc coated steel	
DEVICES	PAIR WEIGHT		
<small>Property of Ram Industrie without its written authorization, the present drawing shall neither be used for construction anyway, communicated to third parts, not reproduced</small>			