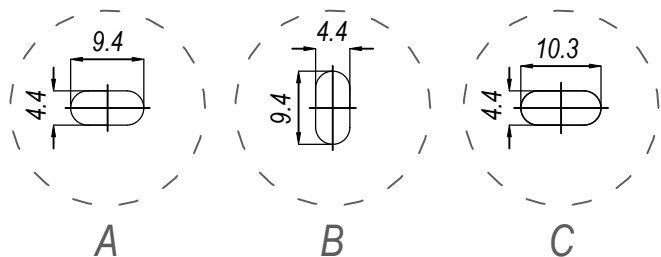
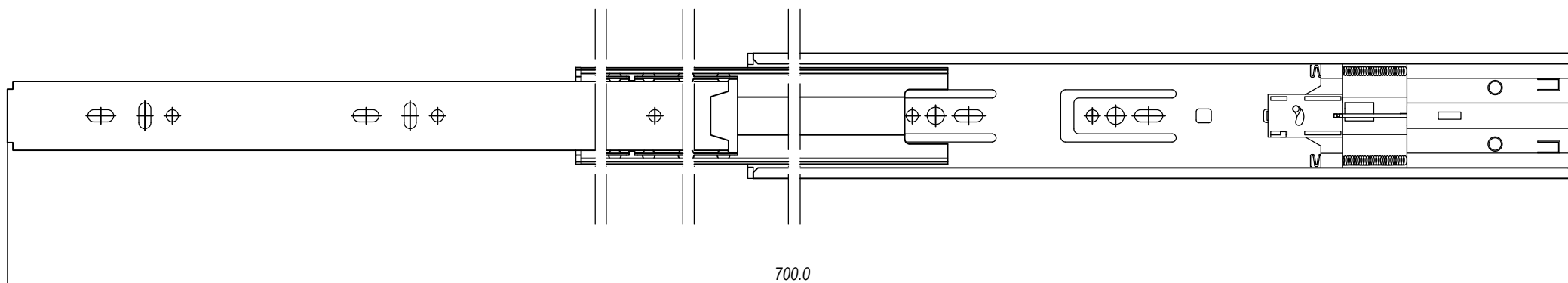
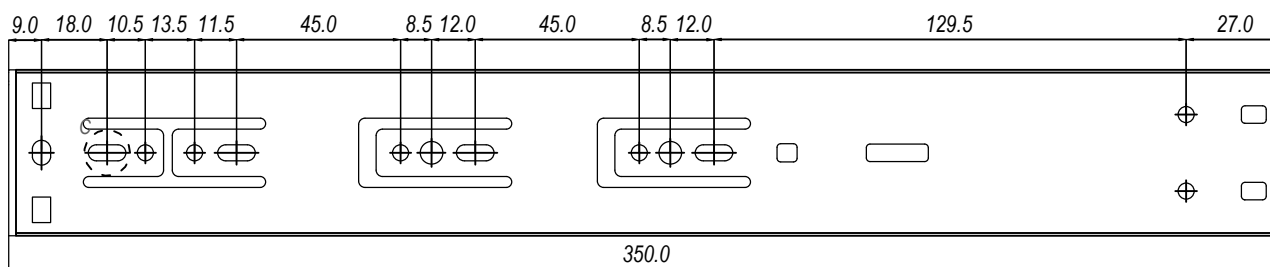
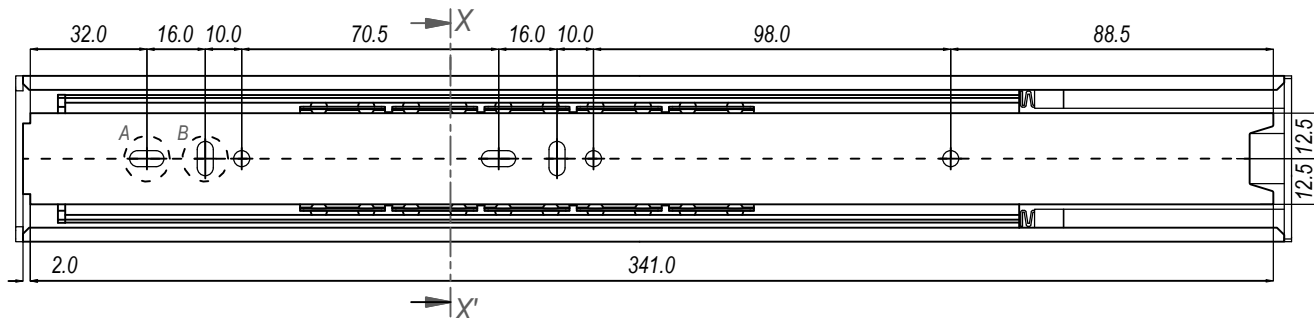
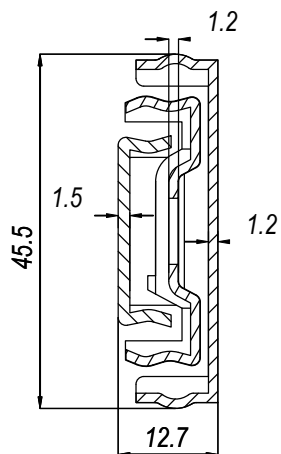


SEZ XX'



DESIGNED BY A. d'Alesio	CHECKED AND APPROVED BY T. Grassi	GENERAL TOLERANCE SS-ISO-2768-1M	DATE 26/10/2023	CODE NE42350
		DESCRIPTION	MATERIAL Cold rolled steel	UNIT mm
		DEVIATION	PAIR WEIGHT WITH CARTON 1,54	SHEET 1 of 2
			PACKAGING Carton 1 piece	

Property of RAM industrie
Without its written authorization the present drawing shall neither be used for construction anyway, communicated to third parties, nor reproduced.