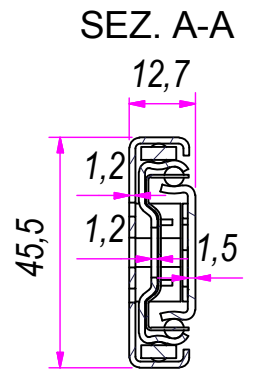
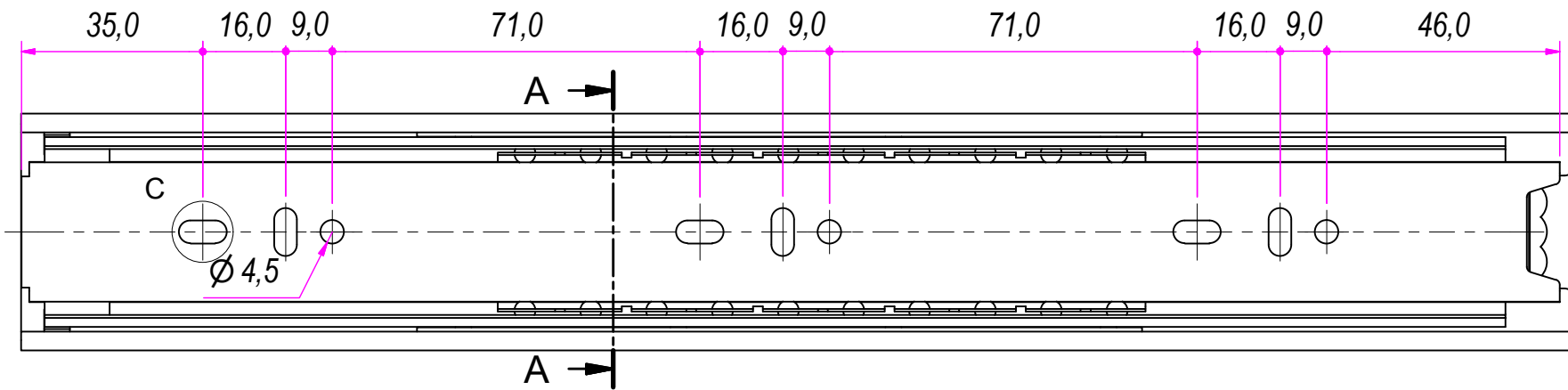
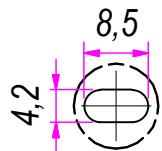


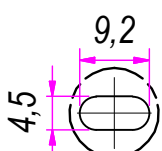
300,0



B (1:1)

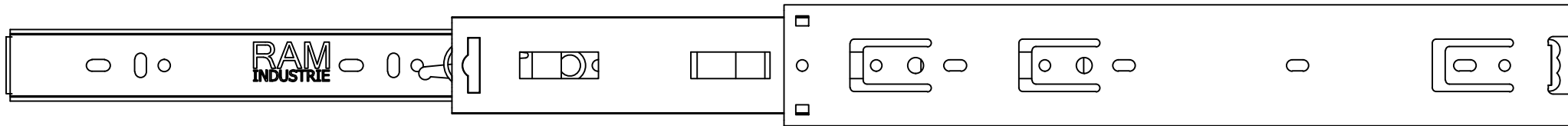


C (1:1)

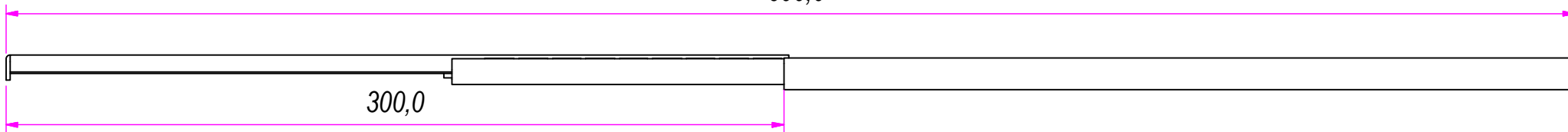


|  |                                       |          |                               |                 |
|--|---------------------------------------|----------|-------------------------------|-----------------|
| DESIGNED BY<br>F.Dino                                    | CHECKED AND APPROVED BY<br>L. Paleari | REVISION | DATE<br>15/06/2016            | CODE<br>NE48300 |
| GENERAL TOLERANCE<br>SS-ISO-2768-1M                      |                                       |          | UNIT<br>mm                    | SCALE<br>1 of 2 |
| DESCRIPTION<br>Black finishing<br>(cataphoresis coating) |                                       |          | MATERIAL<br>Cold rolled steel |                 |
| DEVICE   |                                       |          | PAIR WEIGHT<br>0,902 Kg       | 02C             |

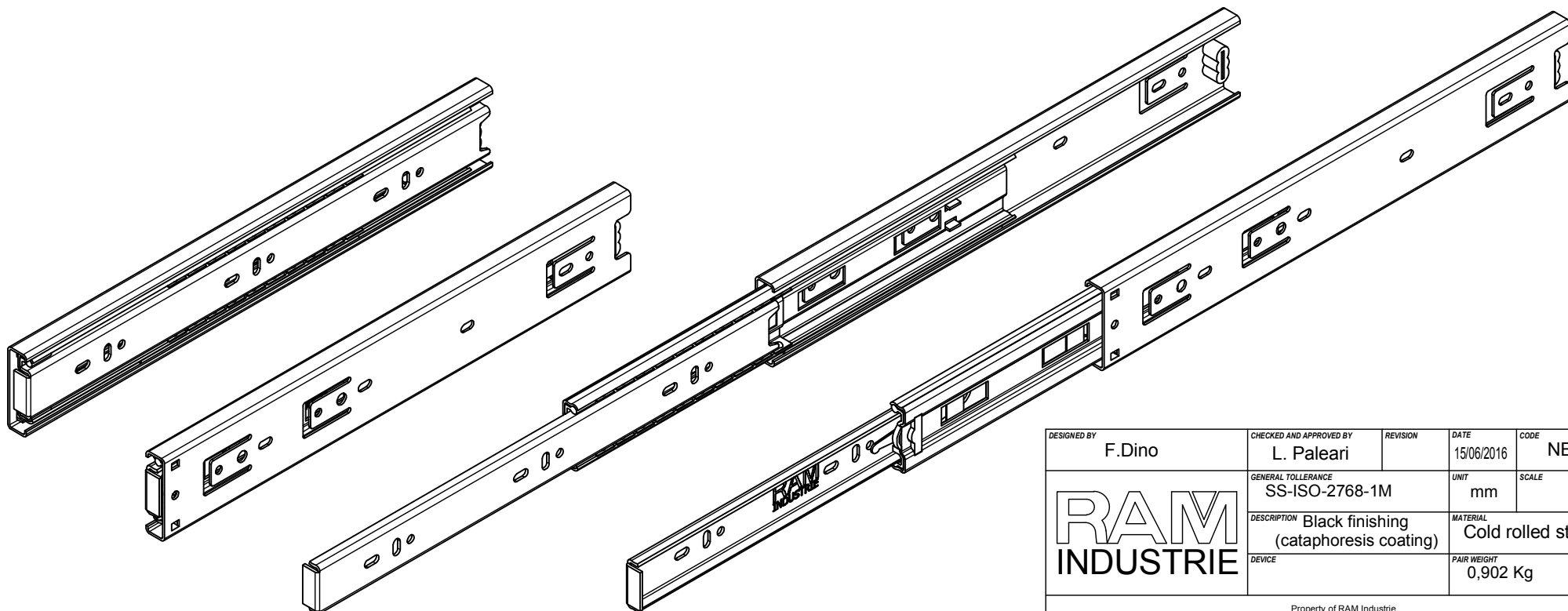
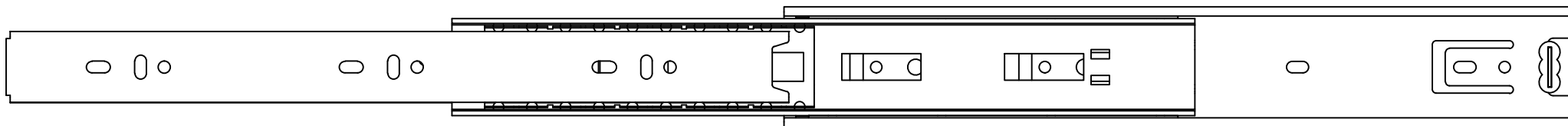
Property of RAM Industrie.  
 Without its written authorization the present drawing shall neither be used for construction anyway, communicated to third parties, nor reproduced.




600,0



300,0



|   |                                       |  |                               |                          |
|---|---------------------------------------|--|-------------------------------|--------------------------|
| DESIGNED BY<br>F.Dino   | CHECKED AND APPROVED BY<br>L. Paleari | REVISION   | DATE<br>15/06/2016            | CODE<br>NE48300          |
|  |                                       | GENERAL TOLLERANCE<br>SS-ISO-2768-1M                     | UNIT<br>mm                    | SCALE<br>SHEET<br>2 of 2 |
|   |                                       | DESCRIPTION<br>Black finishing<br>(cataphoresis coating) | MATERIAL<br>Cold rolled steel |                          |
| DEVICE  |                                       |  | PAIR WEIGHT<br>0,902 Kg       | 02C                      |

Property of RAM Industrie.  
Without its written authorization the present drawing shall neither be used for construction anyway, communicated to third parties, nor reproduced.