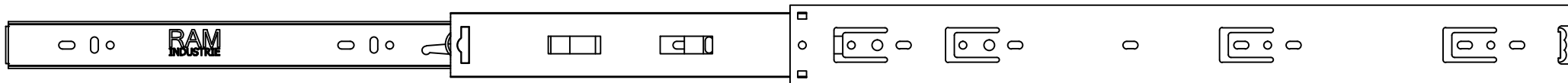


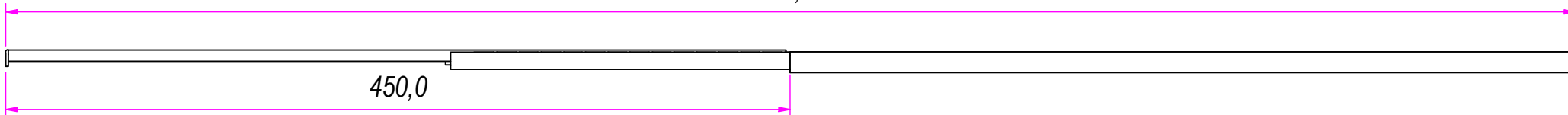
REVISION HISTORY		
REV	DESCRIPTION	DATE
1	Added slotted hole (18-15)	11/01/2019
2	Moved slotted hole (18-15)	11/01/2019

DESIGNED BY F.Dino	CHECKED AND APPROVED BY L. Paleari	REVISION	DATE 15/06/2016	CODE NE48450
		GENERAL TOLLERANCE SS-ISO-2768-1M	UNIT mm	SCALE 1 of 2
		DESCRIPTION Black finishing (cataphoresis coating)	MATERIAL Cold rolled steel	
			PAIR WEIGHT 1,384 Kg	02C

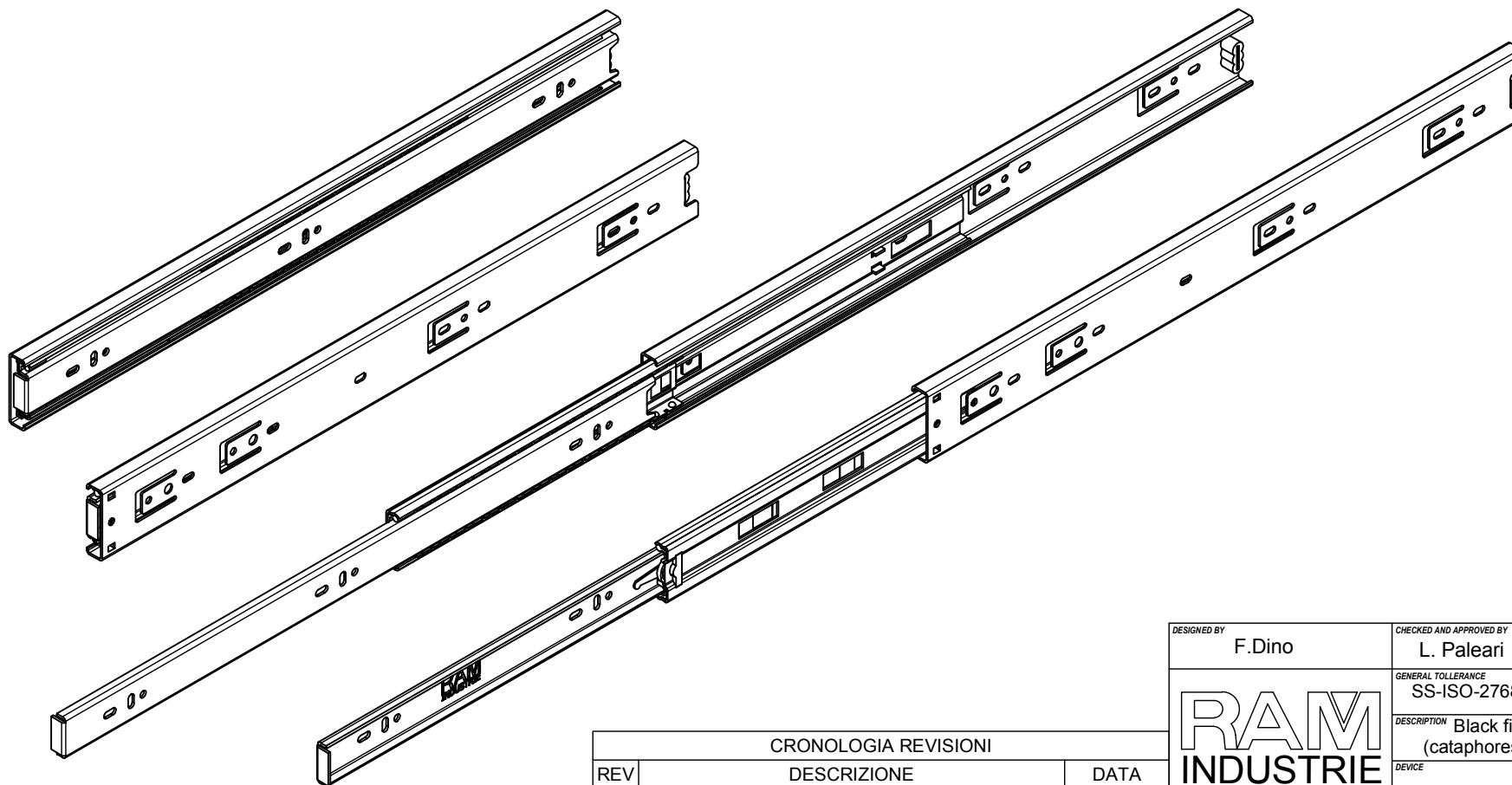
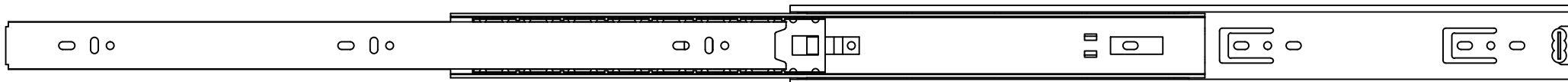
Property of RAM Industrie.
 Without its written authorization the present drawing shall neither be used for construction anyway, communicated to third parties, nor reproduced.




900,0



450,0



CRONOLOGIA REVISIONI		
REV	DESCRIZIONE	DATA
1	Added slotted hole (18-15)	11/01/2019
2	Moved slotted hole (18-15)	11/01/2019

DESIGNED BY F.Dino	CHECKED AND APPROVED BY L. Paleari	REVISION	DATE 15/06/2016	CODE NE48450
		GENERAL TOLLERANCE SS-ISO-2768-1M	UNIT mm	SCALE SHEET 2 of 2
		DESCRIPTION Black finishing (cataphoresis coating)	MATERIAL Cold rolled steel	PAIR WEIGHT 1,384 Kg

Property of RAM Industrie.
Without its written authorization the present drawing shall neither be used for construction anyway, communicated to third parties, nor reproduced.