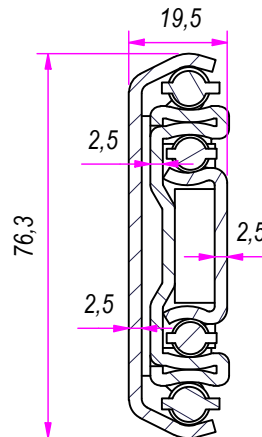
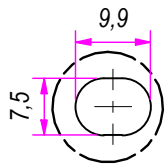


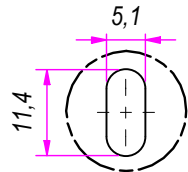
SEZ. A-A



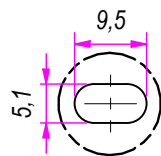
B (1:1)



C (1:1)

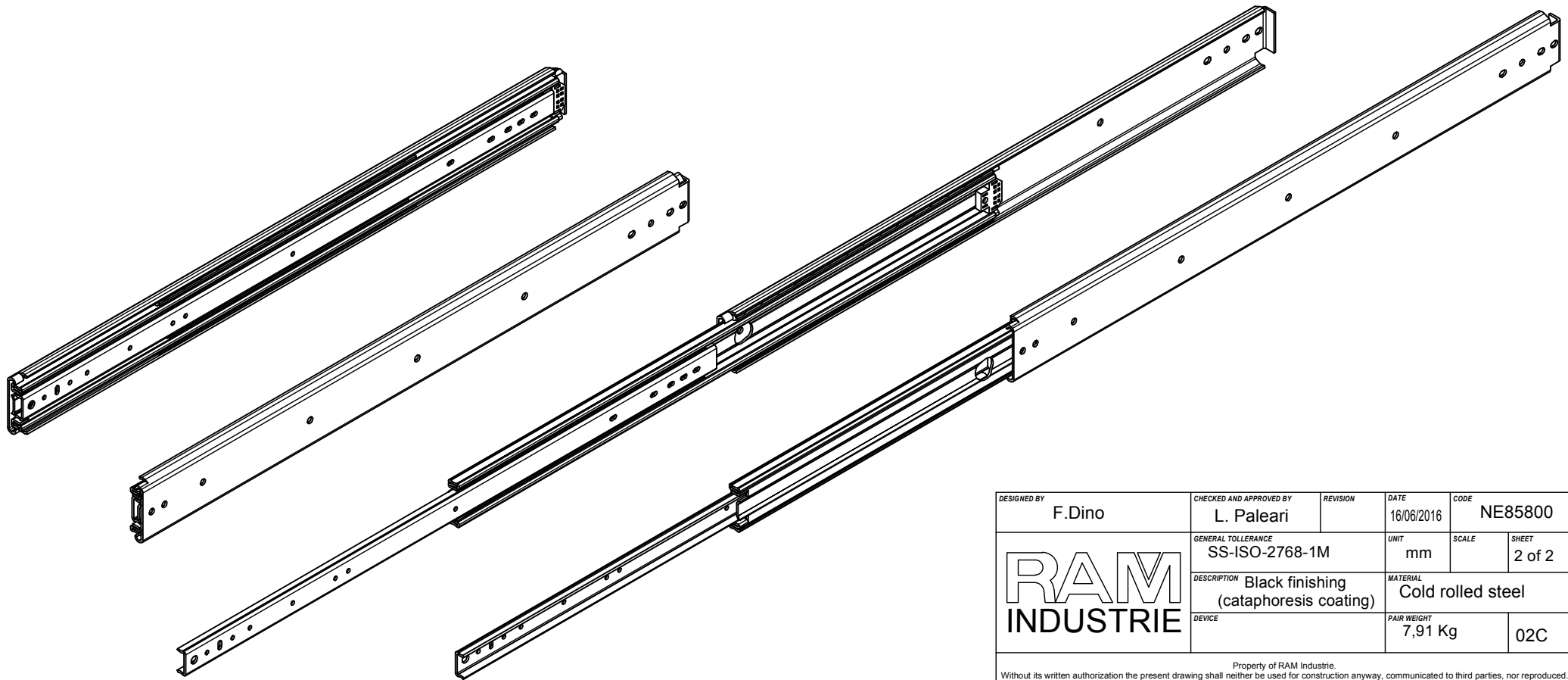
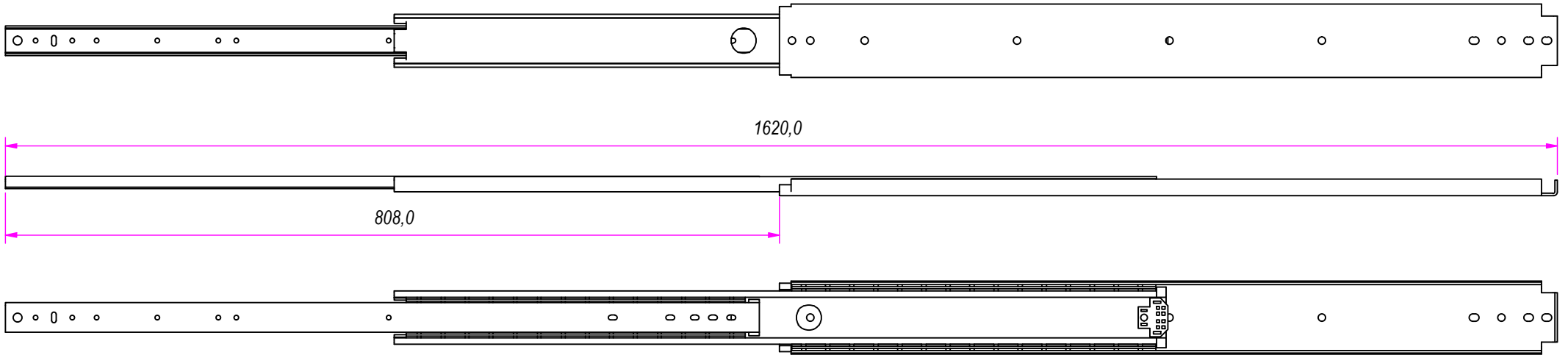



D (1:1)



DESIGNED BY <b>F.Dino</b>	CHECKED AND APPROVED BY <b>L. Paleari</b>	REVISION	DATE 16/06/2016	CODE <b>NE85800</b>
GENERAL TOLERANCE <b>SS-ISO-2768-1M</b>		UNIT mm	SCALE	SHEET 1 of 2
DESCRIPTION <b>Black finishing (cataphoresis coating)</b>		MATERIAL <b>Cold rolled steel</b>		
DEVICE		PAIR WEIGHT 7,91 Kg	02C	

Property of RAM Industrie.  
Without its written authorization the present drawing shall neither be used for construction anyway, communicated to third parties, nor reproduced.



DESIGNED BY F.Dino	CHECKED AND APPROVED BY L. Paleari	REVISION	DATE 16/06/2016	CODE NE85800
		GENERAL TOLLERANCE SS-ISO-2768-1M	UNIT mm	SCALE SHEET 2 of 2
		DESCRIPTION Black finishing (cataphoresis coating)	MATERIAL Cold rolled steel	PAIR WEIGHT 7,91 Kg
		DEVICE		02C

Property of RAM Industrie.  
Without its written authorization the present drawing shall neither be used for construction anyway, communicated to third parties, nor reproduced.